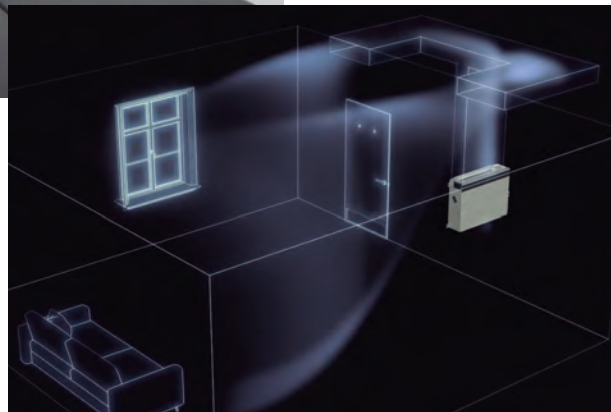


F3 TYPE Mid Static Adaptive Ducted

Model Name	S-22MF3E5AN	S-28MF3E5AN	S-36MF3E5AN	S-45MF3E5AN	S-56MF3E5AN	
Power source	220/230/240 V, 1 phase - 50/60 Hz					
Cooling capacity	kW	2.2	2.8	3.6	4.5	5.6
	BTU/h	7,500	9,600	12,300	15,400	19,100
Heating capacity	kW	2.5	3.2	4.2	5.0	6.3
	BTU/h	8,500	10,900	14,300	17,100	21,500
Power input	Cooling kW	0.06/0.06/0.06	0.06/0.06/0.06	0.06/0.06/0.06	0.06/0.06/0.06	0.089/0.089/0.089
	Heating kW	0.06/0.06/0.06	0.06/0.06/0.06	0.06/0.06/0.06	0.06/0.06/0.06	0.089/0.089/0.089
Running amperes	Cooling A	0.46/0.45/0.44	0.46/0.45/0.44	0.46/0.45/0.44	0.46/0.45/0.44	0.65/0.63/0.61
	Heating A	0.46/0.45/0.44	0.46/0.45/0.44	0.46/0.45/0.44	0.46/0.45/0.44	0.65/0.63/0.61
Fan motor	Type	Sirocco fan	Sirocco fan	Sirocco fan	Sirocco fan	Sirocco fan
	Cooling m³/h	768/660/480	768/660/480	840/720/480	840/720/480	960/840/600
	Air flow rate (H/M/L) L/s	213/183/133	213/183/133	233/200/133	233/200/133	267/233/167
	Heating m³/h	840/720/480	840/720/480	840/720/480	840/720/480	960/840/600
	Air flow rate (H/M/L) L/s	233/200/133	233/200/133	233/200/133	233/200/133	267/233/167
	Output kW	0.107	0.107	0.107	0.107	0.107
	External static pressure Pa	30 (10-150)	30 (10-150)	30 (10-150)	30 (10-150)	30 (10-150)
Sound power level (H/M/L) dB	54/51/43	54/51/43	54/51/43	54/51/43	58/55/47	
Sound pressure sound (H/M/L) dB(A)	31/28/20	31/28/20	31/28/20	31/28/20	35/32/24	
Dimensions H x W x D mm		250 x 800 x 730	250 x 800 x 730	250 x 800 x 730	250 x 800 x 730	250 x 800 x 730
	Liquid mm (inches)	Ø6.35 (Ø1/4)	Ø6.35 (Ø1/4)	Ø6.35 (Ø1/4)	Ø6.35 (Ø1/4)	Ø6.35 (Ø1/4)
Pipe connections Gas mm (inches)		Ø12.7 (Ø1/2)	Ø12.7 (Ø1/2)	Ø12.7 (Ø1/2)	Ø12.7 (Ø1/2)	Ø12.7 (Ø1/2)
	Drain piping	VP-20	VP-20	VP-20	VP-20	VP-20
Net weight kg	26	26	26	26	26	

GLOBAL REMARKS	Rated conditions:		
	Cooling	Heating	
	Indoor air temperature	27°C DB / 19°C WB	20°C DB
Outdoor air temperature	35°C DB / 24°C WB	7°C DB / 6°C WB	

Specifications are subject to change without notice.

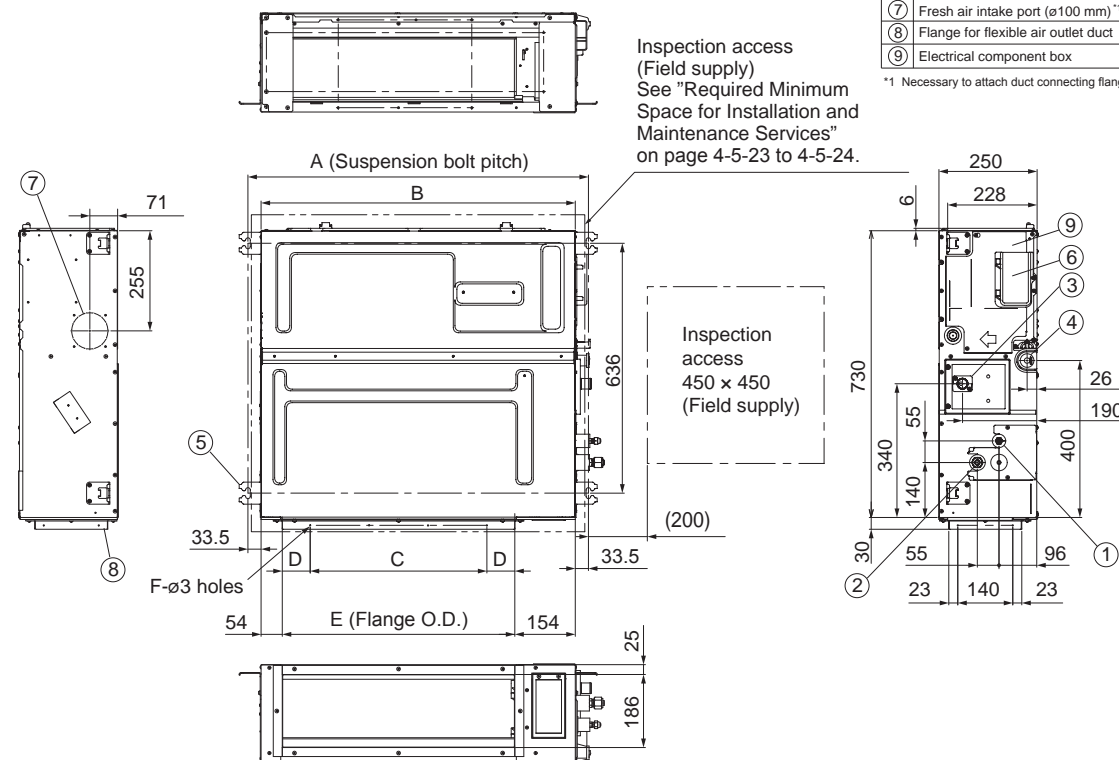


S-60MF3E5AN	S-73MF3E5AN	S-90MF3E5AN	S-112MF3E5AN	S-140MF3E5AN	S-160MF3E5AN
220/230/240 V, 1 phase - 50/60 Hz					
6.0	7.3	9.0	11.2	14.0	16.0
20,500	24,900	30,700	38,200	47,800	54,600
7.1	8.0	10.0	12.5	16.0	18.0
24,200	27,300	34,100	42,700	54,600	61,400
0.079/0.079/0.079	0.079/0.079/0.079	0.136/0.136/0.136	0.265/0.265/0.265	0.265/0.265/0.265	0.330/0.330/0.330
0.079/0.079/0.079	0.079/0.079/0.079	0.136/0.136/0.136	0.265/0.265/0.265	0.265/0.265/0.265	0.330/0.330/0.330
0.53/0.52/0.51	0.53/0.52/0.51	0.92/0.90/0.88	1.80/1.76/1.72	1.80/1.76/1.72	2.22/2.14/2.09
0.53/0.52/0.51	0.53/0.52/0.51	0.92/0.90/0.88	1.80/1.76/1.72	1.80/1.76/1.72	2.22/2.14/2.09
Sirocco fan	Sirocco fan	Sirocco fan	Sirocco fan	Sirocco fan	Sirocco fan
1,260/1,080/900	1,260/1,080/900	1,500/1,380/960	2,220/1,920/1,560	2,220/1,920/1,560	2,400/2,040/1,680
350/300/250	350/300/250	417/383/267	617/533/433	617/533/433	667/567/467
1,260/1,080/900	1,260/1,080/900	1,500/1,380/960	2,220/1,920/1,560	2,220/1,920/1,560	2,400/2,040/1,680
350/300/250	350/300/250	417/383/267	617/533/433	617/533/433	667/567/467
0.165	0.165	0.165	0.259	0.259	0.259
30 (10-150)	30 (10-150)	40 (10-150)	50 (10-150)	50 (10-150)	50 (10-150)
54/51/46	54/51/46	58/56/48	64/59/55	64/59/55	66/60/56
31/28/23	31/28/23	35/33/25	41/36/32	41/36/32	43/37/33
250 x 1,000 x 730	250 x 1,000 x 730	250 x 1,000 x 730	250 x 1,400 x 730	250 x 1,400 x 730	250 x 1,400 x 730
Ø6.35 (Ø1/4)	Ø6.35 (Ø1/4)	Ø6.35 (Ø1/4)	Ø9.52 (Ø3/8)	Ø9.52 (Ø3/8)	Ø9.52 (Ø3/8)
Ø12.7 (Ø1/2)	Ø12.7 (Ø1/2)	Ø12.7 (Ø1/2)	Ø15.88 (Ø5/8)	Ø15.88 (Ø5/8)	Ø15.88 (Ø5/8)
VP-20	VP-20	VP-20	VP-20	VP-20	VP-20
31	31	31	40	40	40

F3 TYPE MID STATIC DUCTED Dimensions

Type	A	B	C	D	E	F	Air intake port size
	mm	mm	mm	mm	mm	Q'ty	mm
22/28/36/45/56	867	800	450 (Pitch 150 x 3)	71	592	12	204 x 683
60/73/90	1,067	1,000	750 (Pitch 150 x 5)	21	792	16	204 x 883
112/140/160	1,467	1,400	1,050 (Pitch 150 x 7)	71	1,192	20	204 x 1,283

- Refrigerant tubing joint (liquid tube)
S-22/28/36/45/56MF3E5AN : Φ6.35 (flared)
S-60/73/90/112/140/160MF3E5AN : Φ9.52 (flared)
 - Refrigerant tubing joint (gas tube)
S-22/28/36/45/56MF3E5AN : Φ12.7 (flared)
S-60/73/90/112/140/160MF3E5AN : Φ15.88 (flared)
 - Upper drain port VP20 (ø26 mm)
200 mm flexible hose supplied
 - Bottom drain port VP20 (ø26 mm)
 - Suspension lug (4 - 12 x 30 mm)
 - Power supply outlet
 - Fresh air intake port (ø100 mm)^{*1}
 - Flange for flexible air outlet duct
 - Electrical component box
- ^{*1} Necessary to attach duct connecting flange (field supply).



unit: mm