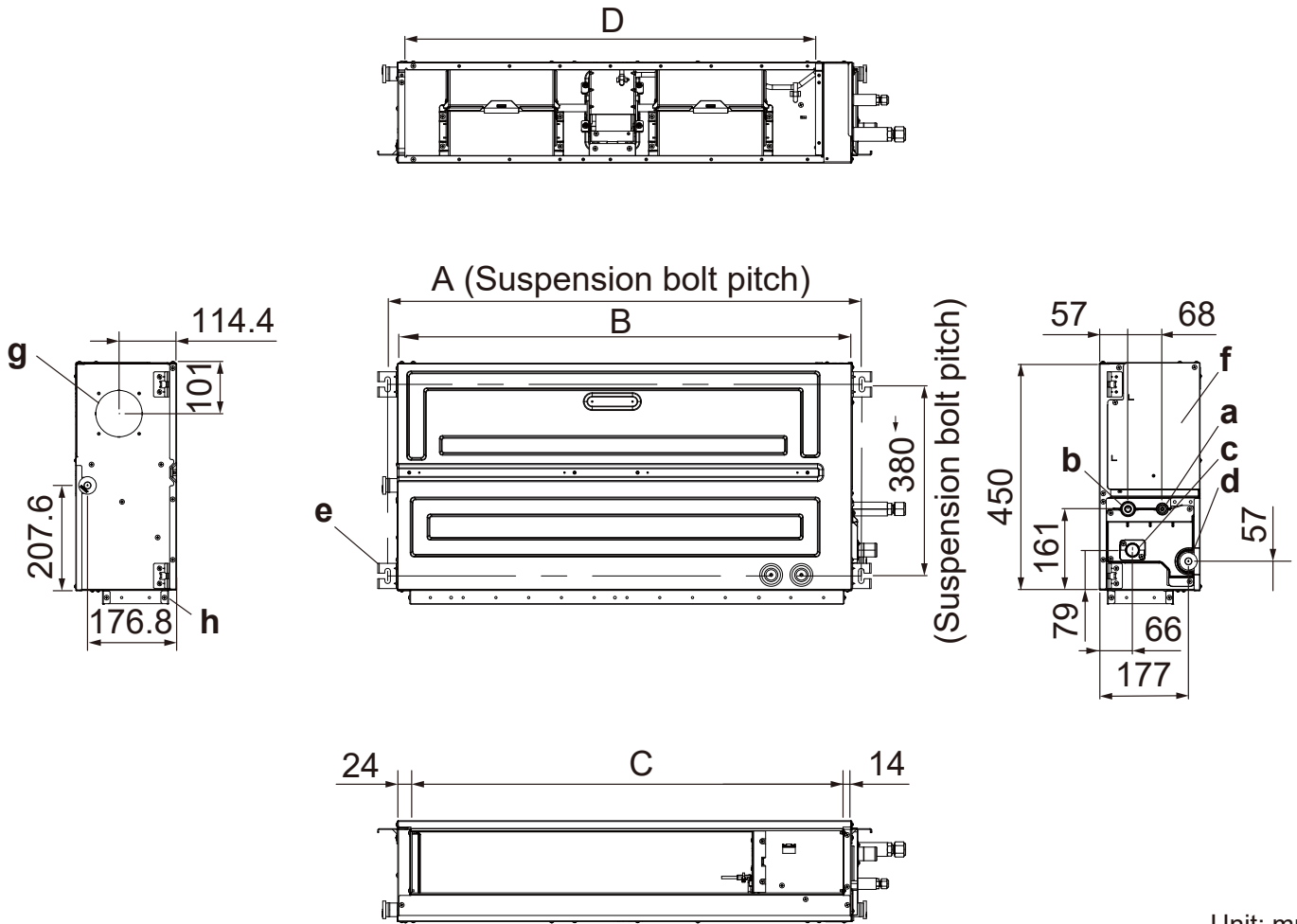


### Detailed dimensions of indoor unit

Type	A	B	C	D
	mm	mm	mm	mm
22, 28, 36	740	700	662	615
45, 56	940	900	862	815

- a) Refrigerant tubing joint (liquid tube)
- b) Refrigerant tubing joint (gas tube)
- c) Upper drain port
- d) Bottom drain port
- e) Suspension lug
- f) Electrical component box
- g) Fresh air intake port
- h) Flange for flexible air outlet duct



Unit: mm