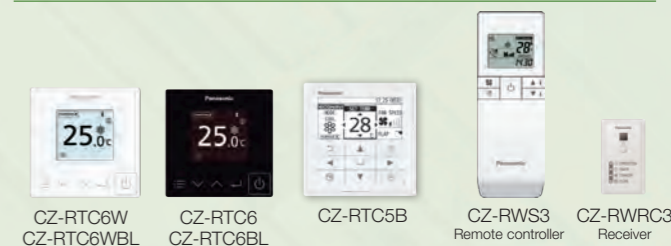


# R1 TYPE Concealed Floor Standing

At just 229 mm deep, the R1 unit can be easily concealed in perimeter areas to provide powerful and effective air conditioning.



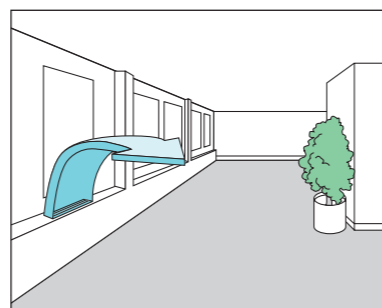
Optional accessory



## Technical focus

- Chassis unit for discrete customisable installation
- Complete with removable filters
- Pipes can be connected to the unit either from the bottom or rear
- Easy to install

## Perimeter air conditioning with high interior quality



Model Name			S-22MR1E5	S-28MR1E5	S-36MR1E5	S-45MR1E5	S-56MR1E5	S-71MR1E5
Power source			220/230/240 V, 1 phase - 50/60 Hz					
Cooling capacity	kW		2.2	2.8	3.6	4.5	5.6	7.1
	BTU/h		7,500	9,600	12,000	15,000	19,000	24,000
Heating capacity	kW		2.5	3.2	4.2	5.0	6.3	8.0
	BTU/h		8,500	11,000	14,000	17,000	21,000	27,000
Power input	Cooling kW		0.051/0.056/0.061	0.051/0.056/0.061	0.079/0.085/0.091	0.116/0.126/0.136	0.116/0.126/0.136	0.150/0.160/0.170
	Heating kW		0.036/0.040/0.045	0.036/0.040/0.045	0.064/0.070/0.076	0.079/0.091/0.101	0.079/0.091/0.101	0.110/0.120/0.130
Running current	Cooling A		0.24/0.25/0.26	0.24/0.25/0.26	0.37/0.38/0.39	0.54/0.56/0.58	0.54/0.56/0.58	0.70/0.72/0.73
	Heating A		0.17/0.18/0.19	0.17/0.18/0.19	0.30/0.31/0.32	0.37/0.41/0.43	0.37/0.41/0.43	0.52/0.54/0.56
Fan	Type		Sirocco fan	Sirocco fan	Sirocco fan	Sirocco fan	Sirocco fan	Sirocco fan
	Air flow rate (H/M/L)	m³/h	420/360/300	420/360/300	540/420/360	720/540/480	900/780/660	1,020/840/720
		L/s	117/100/183	117/100/183	150/117/100	200/150/133	250/217/183	283/233/200
	Motor output	kW	0.01	0.01	0.02	0.02	0.03	0.06
Sound power level (H/M/L)	dB	44/41/39	44/41/39	50/46/40	49/46/42	49/46/42	52/49/46	
Sound pressure level (H/M/L)	dB(A)	33/30/28	33/30/28	39/35/29	38/35/31	39/36/31	41/38/35	
Dimensions	H x W x D	mm	616 x 904 x 229	616 x 904 x 229	616 x 904 x 229	616 x 1,219 x 229	616 x 1,219 x 229	616 x 1,219 x 229
	Liquid	mm (inches)	Ø6.35 (Ø1/4)	Ø6.35 (Ø1/4)	Ø6.35 (Ø1/4)	Ø6.35 (Ø1/4)	Ø6.35 (Ø1/4)	Ø9.52 (Ø3/8)
	Gas 410 A	mm (inches)	Ø12.7 (Ø1/2)	Ø12.7 (Ø1/2)	Ø12.7 (Ø1/2)	Ø12.7 (Ø1/2)	Ø12.7 (Ø1/2)	Ø15.88 (Ø5/8)
Pipe connections	Drain piping		VP-20	VP-20	VP-20	VP-20	VP-20	VP-20
Net weight	kg		21	21	21	28	28	28

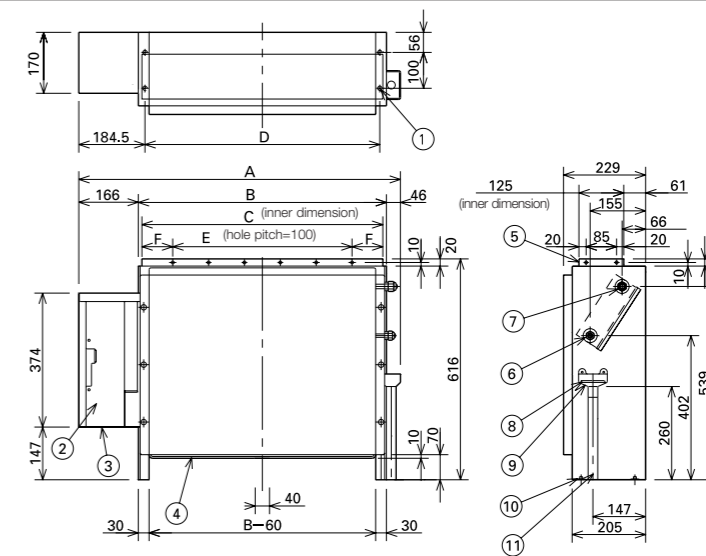
  

GLOBAL REMARKS	Rated conditions:		Cooling	Heating
	Indoor air temperature		27°C DB / 19°C WB	20°C DB
	Outdoor air temperature		35°C DB / 24°C WB	7°C DB / 6°C WB

Specifications are subject to change without notice.

## R1 TYPE CONCEALED FLOOR STANDING Dimensions

- 4 x Ø12 holes (for floor fixing)
- Electric equipment box
- Power supply outlet
- Air filter
- Discharge duct connection flange
- Refrigerant connection outlet (liquid pipes)
- Refrigerant connection outlet (gas pipes)
- Drain filter
- Drain pan
- Level adjustment bolt
- Drain outlet VP20 (with vinyl hose)



unit: mm

Indoor unit	A	B	C	D	E	F	Liquid pipes	Gas pipes
22 to 36 type	904	692	672	665	500	86	Ø6.35	Ø12.7
45 type								
56 type	1,219	1,007	1,002	980	900	51	Ø9.52	Ø15.88
71 type								