

## 2-WAY FSV-EX ME2 Series HIGH EFFICIENCY COMBINATION MODEL

Appearance													
HP	8	10	12	14	16	18	20	22	24	26			
Model name	U-8ME2H7	U-10ME2H7	U-12ME2H7	U-14ME2H7	U-16ME2H7	U-18ME2H7HE U-10ME2H7	U-20ME2H7HE U-10ME2H7	U-22ME2H7 U-12ME2H7	U-24ME2H7 U-12ME2H7	U-26ME2H7 U-16ME2H7			
Power supply	380/400/415V/3-phase/50Hz 380/400V/3-phase/60Hz												
Capacity	Cooling	kW	22.4	28.0	33.5	40.0	45.0	50.0	56.0	61.5	68.0	73.0	
		BTU/h	76,500	95,600	114,300	136,500	153,600	170,600	191,100	209,900	232,100	249,100	
EER / COP	Cooling	W/W	5.30	5.03	4.73	4.56	4.13	5.15	5.05	4.84	4.69	4.42	
		Heating	W/W	5.84	5.56	5.38	5.29	5.13	5.71	5.58	5.48	5.31	5.29
Dimensions	H x W x D	mm	1,842 x 770 x 1,000	1,842 x 770 x 1,000	1,842 x 1,180 x 1,000	1,842 x 1,180 x 1,000	1,842 x 1,180 x 1,000	1,842 x 1,600 x 1,000	1,842 x 1,600 x 1,000	1,842 x 2,010 x 1,000	1,842 x 2,420 x 1,000	1,842 x 2,010 x 1,000	
		kg	210	210	270	315	315	420	420	480	540	525	
Electrical ratings	Cooling	Running current	A	7.14 / 6.78 / 6.54	9.62 / 9.14 / 8.81	11.8 / 11.2 / 10.8	15.3 / 14.5 / 14.0	18.4 / 17.5 / 16.8	16.6 / 15.7 / 15.2	19.2 / 18.2 / 17.5	21.4 / 20.4 / 19.6	24.2 / 23.0 / 22.2	28.2 / 26.8 / 25.8
		Power input	kW	4.23	5.57	7.08	8.77	10.9	9.70	11.1	12.7	14.5	16.5
	Heating	Running current	A	7.15 / 6.79 / 6.54	9.68 / 9.20 / 8.86	11.6 / 11.1 / 10.7	14.9 / 14.1 / 13.6	16.6 / 15.8 / 15.2	16.5 / 15.7 / 15.1	19.3 / 18.3 / 17.7	21.3 / 20.2 / 19.5	24.0 / 22.8 / 22.0	26.3 / 25.0 / 24.1
		Power input	kW	4.28	5.67	6.97	8.51	9.75	9.80	11.3	12.6	14.4	15.4
Starting current	A	1	1	1	2	2	2	2	2	2	3		
Air flow rate	m <sup>3</sup> /h	13,440	13,440	13,920	13,920	13,920	26,880	26,880	27,360	27,840	27,360		
	L/s	3,733	3,733	3,867	3,867	3,867	7,467	7,466	7,600	7,733	7,600		
Refrigerant amount at shipment	kg	5.6	5.6	8.3	8.3	8.3	11.2	11.2	13.9	16.6	13.9		
External static pressure	Pa	80	80	80	80	80	80	80	80	80			
Piping connections	Gas pipe	mm (inches)	Ø19.05 (Ø3/4)	Ø22.22 (Ø7/8)	Ø25.40 (Ø1)	Ø25.40 (Ø1)	Ø28.58 (Ø1-1/8)	Ø28.58 (Ø1-1/8)	Ø28.58 (Ø1-1/8)	Ø28.58 (Ø1-1/8)	Ø28.58 (Ø1-1/8)	Ø31.75 (Ø1-1/4)	
	Liquid pipe	mm (inches)	Ø9.52 (Ø3/8)	Ø9.52 (Ø3/8)	Ø12.70 (Ø1/2)	Ø12.70 (Ø1/2)	Ø12.70 (Ø1/2)	Ø15.88 (Ø5/8)	Ø15.88 (Ø5/8)	Ø15.88 (Ø5/8)	Ø15.88 (Ø5/8)	Ø19.05 (Ø3/4)	
	Balance pipe	mm (inches)	Ø6.35 (Ø1/4)	Ø6.35 (Ø1/4)	Ø6.35 (Ø1/4)	Ø6.35 (Ø1/4)	Ø6.35 (Ø1/4)	Ø6.35 (Ø1/4)	Ø6.35 (Ø1/4)	Ø6.35 (Ø1/4)	Ø6.35 (Ø1/4)	Ø6.35 (Ø1/4)	
Ambient temperature operating range	Cooling: -10°C (DB)~ +52°C (DB). Heating: -25°C (WB)~ +18°C (WB)												
Sound pressure level	Normal mode	dB (A)	53.0	56.0	57.0	58.0	61.0	58.0	59.0	59.5	60.0	62.5	
	Silent mode (2)	dB (A)	48.0	51.0	52.0	53.0	56.0	53.0	54.0	54.5	55.0	57.5	
Sound power level	Normal mode	dB	74.0	77.0	78.0	79.0	82.0	79.0	80.0	80.5	81.0	83.5	

Appearance															
HP	28	30	32	34	36	38	40	42	44	46	48	50	52	54	
Model name	U-28ME2H7 U-16ME2H7	U-30ME2H7 U-16ME2H7	U-32ME2H7 U-16ME2H7	U-34ME2H7HE U-12ME2H7	U-36ME2H7HE U-12ME2H7	U-38ME2H7HE U-16ME2H7	U-40ME2H7HE U-12ME2H7	U-42ME2H7 U-16ME2H7	U-44ME2H7 U-16ME2H7	U-46ME2H7 U-16ME2H7	U-48ME2H7 U-16ME2H7	U-50ME2H7HE U-12ME2H7	U-52ME2H7HE U-12ME2H7	U-54ME2H7HE U-16ME2H7	
Power supply	380/400/415V/3-phase/50Hz 380/400V/3-phase/60Hz														
Capacity	Cooling	kW	78.5	85.0	90.0	96.0	101.0	107.0	113.0	118.0	124.0	130.0	135.0	140.0	145.0
		BTU/h	267,900	290,100	307,200	327,600	344,700	365,200	385,700	402,700	423,200	443,700	460,800	477,800	494,900
EER / COP	Cooling	W/W	87.5	95.0	100.0	108.0	113.0	119.0	127.0	132.0	138.0	145.0	150.0	155.0	160.0
		Heating	W/W	4.36	4.31	4.13	4.80	4.72	4.51	4.45	4.26	4.25	4.13	4.58	4.53
Dimensions	H x W x D	mm	1,842 x 2,420 x 1,000	1,842 x 2,420 x 1,000	1,842 x 2,420 x 1,000	1,842 x 3,250 x 1,000	1,842 x 3,250 x 1,000	1,842 x 3,660 x 1,000	1,842 x 3,250 x 1,000	1,842 x 3,660 x 1,000	1,842 x 3,250 x 1,000	1,842 x 3,660 x 1,000	1,842 x 3,660 x 1,000	1,842 x 4,490 x 1,000	1,842 x 4,900 x 1,000
		kg	585	630	630	750	810	795	855	840	900	945	945	1,065	1,125
Electrical ratings	Cooling	Running current	A	30.4 / 28.9 / 27.8	33.6 / 31.9 / 30.8	36.8 / 35.0 / 33.7	33.8 / 32.1 / 30.9	35.7 / 33.9 / 32.7	40.0 / 38.0 / 36.6	42.4 / 40.3 / 38.8	46.3 / 43.9 / 42.4	49.1 / 46.7 / 45.0	52.2 / 49.6 / 47.8	55.2 / 52.4 / 50.5	51.7 / 49.1 / 47.3
		Power input	kW	18.0	19.7	21.8	20.0	21.4	23.7	25.4	27.4	29.1	30.6	32.7	30.6
	Heating	Running current	A	28.2 / 26.8 / 25.8	31.6 / 30.0 / 28.9	33.3 / 31.6 / 30.5	33.8 / 32.1 / 30.9	35.1 / 33.3 / 32.1	37.8 / 35.9 / 34.6	41.0 / 39.0 / 37.6	43.2 / 41.0 / 39.5	44.9 / 42.7 / 41.1	48.3 / 45.9 / 44.3	50.0 / 47.5 / 45.8	48.8 / 46.3 / 44.7
		Power input	kW	16.7	18.3	19.5	20.0	21.0	22.4	24.3	25.3	26.6	28.0	28.9	30.0
Starting current	A	3	4	4	3	3	4	4	5	5	6	6	5	5	
Air flow rate	m <sup>3</sup> /h	27,840	27,840	27,840	41,280	41,760	41,280	41,760	41,280	41,760	41,760	41,760	55,200	55,680	55,200
	L/s	7,733	7,733	7,733	11,467	11,600	11,467	11,600	11,467	11,600	11,600	11,600	15,333	15,467	15,333
Refrigerant amount at shipment	kg	16.6	16.6	16.6	22.2	24.9	22.2	24.9	22.2	24.9	24.9	24.9	30.5	33.2	30.5
External static pressure	Pa	80	80	80	80	80	80	80	80	80	80	80	80	80	
Piping connections	Gas pipe	mm (inches)	Ø31.75 (Ø1-1/4)	Ø31.75 (Ø1-1/4)	Ø31.75 (Ø1-1/4)	Ø31.75 (Ø1-1/4)	Ø38.10 (Ø1-1/2)	Ø38.10 (Ø1-1/2)	Ø38.10 (Ø1-1/2)	Ø38.10 (Ø1-1/2)	Ø38.10 (Ø1-1/2)	Ø38.10 (Ø1-1/2)	Ø38.10 (Ø1-1/2)	Ø38.10 (Ø1-1/2)	Ø38.10 (Ø1-1/2)
	Liquid pipe	mm (inches)	Ø19.05 (Ø3/4)	Ø19.05 (Ø3/4)	Ø19.05 (Ø3/4)	Ø19.05 (Ø3/4)	Ø19.05 (Ø3/4)	Ø19.05 (Ø3/4)	Ø19.05 (Ø3/4)	Ø19.05 (Ø3/4)	Ø19.05 (Ø3/4)	Ø19.05 (Ø3/4)	Ø19.05 (Ø3/4)	Ø19.05 (Ø3/4)	Ø19.05 (Ø3/4)
	Balance pipe	mm (inches)	Ø6.35 (Ø1/4)	Ø6.35 (Ø1/4)	Ø6.35 (Ø1/4)	Ø6.35 (Ø1/4)	Ø6.35 (Ø1/4)	Ø6.35 (Ø1/4)	Ø6.35 (Ø1/4)	Ø6.35 (Ø1/4)	Ø6.35 (Ø1/4)	Ø6.35 (Ø1/4)	Ø6.35 (Ø1/4)	Ø6.35 (Ø1/4)	Ø6.35 (Ø1/4)
Ambient temperature operating range	Cooling: -10°C (DB)~ +52°C (DB). Heating: -25°C (WB)~ +18°C (WB)														
Sound pressure level	Normal mode	dB (A)	62.5	63.0	64.0	61.5	62.0	63.5	63.5	65.0	65.0	65.0	66.0	64.5	64.5
	Silent mode (2)	dB (A)	57.5	58.0	59.0	56.5	57.0	58.5	58.5	60.0	60.0	60.0	61.0	59.5	59.5
Sound power level	Normal mode	dB	83.5	84.0	85.0	82.5	83.0	84.5	84.5	86.0	86.0	86.0	87.0	85.5	85.5

GLOBALREMARKS

Rated conditions:	Cooling	Heating
Indoor air temperature	27°C DB / 19°C WB	20°C DB
Outdoor air temperature	35°C DB	7°C DB / 6°C WB

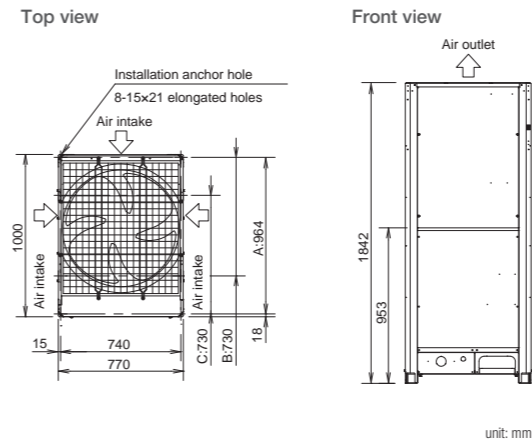
These specifications are subject to change without notice. High durable model (with suffix "E") has same specifications.

Appearance								
HP	56	58	60	62	64			
Model name	U-56ME2H7HE U-12ME2H7 U-12ME2H7 U-16ME2H7 U-16ME2H7	U-58ME2H7HE U-10ME2H7 U-16ME2H7 U-16ME2H7 U-16ME2H7	U-60ME2H7HE U-12ME2H7 U-16ME2H7 U-16ME2H7 U-16ME2H7	U-62ME2H7 U-14ME2H7 U-16ME2H7 U-16ME2H7 U-16ME2H7	U-64ME2H7 U-16ME2H7 U-16ME2H7 U-16ME2H7 U-16ME2H7			
Power supply	380/400/415V/3-phase/50Hz 380/400V/3-phase/60Hz							
Capacity	Cooling	kW	156.0	162.0	168.0	174.0	180.0	
		BTU/h	532,400	552,900	573,400	593,300	614,300	
EER / COP	Cooling	W/W	4.38	4.27	4.24	4.23	4.13	
		Heating	W/W	5.24	5.19	5.15	5.16	5.11
Dimensions	H x W x D	mm	1,842 x 4,900 x 1,000	1,842 x 4,490 x 1,000	1,842 x 4,900 x 1,000	1,842 x 4,900 x 1,000	1,842 x 4,900 x 1,000	
		kg	1,170	1,155	1,215	1,260	1,260	
Electrical ratings	Cooling	Running current	A	60.1 / 57.1 / 55.0	64.0 / 60.8 / 58.6	66.9 / 63.5 / 61.2	70.2 / 66.7 / 64.2	73.6 / 69.9 / 67.4
		Power input	kW	35.6	37.9	39.6	41.1	43.6
	Heating	Running current	A	56.4 / 53.6 / 51.6	59.9 / 56.9 / 54.9	62.7 / 59.5 / 57.4	64.5 / 61.3 / 59.1	67.1 / 63.7 / 61.4
		Power input	kW	33.4	35.1	36.7	37.8	39.3
Starting current	A	6	7	7	8	8		
Air flow rate	m <sup>3</sup> /h	55,680	55,200	55,680	55,680	55,680		
	L/s	15,467	15,333	15,467	15,467	15,467		
Refrigerant amount at shipment	kg	33.2	30.5	33.2	33.2	33.2		
External static pressure	Pa	80	80	80	80	80		
Piping connections	Gas pipe	mm (inches)	Ø38.10 (Ø1-1/2)	Ø38.10 (Ø1-1/2)	Ø38.10 (Ø1-1/2)	Ø41.28 (Ø1-5/8)	Ø41.28 (Ø1-5/8)	
	Liquid pipe	mm (inches)	Ø19.05 (Ø3/4)	Ø19.05 (Ø3/4)	Ø19.05 (Ø3/4)	Ø19.05 (Ø3/4)	Ø19.05 (Ø3/4)	
	Balance pipe	mm (inches)	Ø6.35 (Ø1/4)	Ø6.35 (Ø1/4)	Ø6.35 (Ø1/4)	Ø6.35 (Ø1/4)	Ø6.35 (Ø1/4)	
Ambient temperature operating range	Cooling: -10°C (DB)~ +52°C (DB). Heating: -25°C (WB)~ +18°C (WB)							
Sound pressure level	Normal mode	dB (A)	65.5	66.5	66.5	66.5	67.0	
	Silent mode (2)	dB (A)	60.5	61.5	61.5	61.5	62.0	
Sound power level	Normal mode	dB	86.5	87.5	87.5	87.5	88.0	

### 8 / 10 HP

According to the installation site, you may choose the setting position in the depth direction of the anchor bolt from A, B or C.

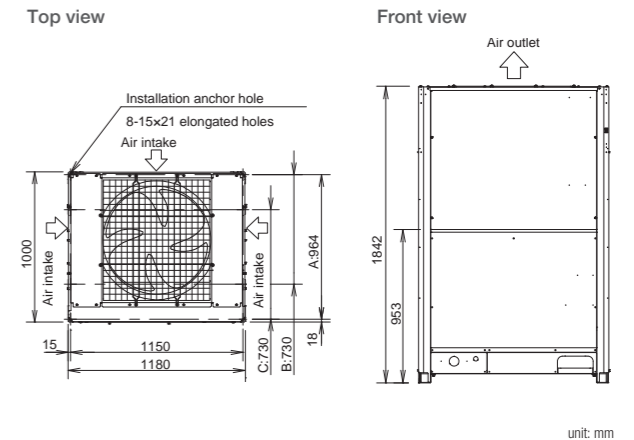
- A: (Installation hole pitch) For removing tube forward
- B: (Installation hole pitch) For removing the downward
- C: (Installation hole pitch)












### 12 / 14 / 16 HP

According to the installation site, you may choose the setting position in the depth direction of the anchor bolt from A, B or C.








- A: (Installation hole pitch) For removing tube forward
- B: (Installation hole pitch) For removing the downward
- C: (Installation hole pitch)



2-WAY FSV-EX ME2 Series SPACE SAVING COMBINATION MODEL

Appearance												
HP	8	10	12	14	16	18	20	22	24			
Model name	U-8ME2H7	U-10ME2H7	U-12ME2H7	U-14ME2H7	U-16ME2H7	U-18ME2H7	U-20ME2H7	U-10ME2H7 U-12ME2H7	U-12ME2H7 U-12ME2H7			
Power supply	380/400/415V/3-phase/50Hz 380/400V/3-phase/60Hz											
Capacity	Cooling	kW	22.4	28.0	33.5	40.0	45.0	50.0	56.0	61.5	68.0	
	BTU/h		76,500	95,600	114,300	136,500	153,600	170,600	191,100	209,900	232,100	
EER / COP	Cooling	W/W	5.30	5.03	4.73	4.56	4.13	4.10	3.76	4.84	4.69	
	Heating	W/W	5.84	5.56	5.38	5.29	5.13	5.05	4.60	5.48	5.31	
Dimensions	H x W x D	mm	1,842 x 770 x 1,000	1,842 x 770 x 1,000	1,842 x 1,180 x 1,000	1,842 x 1,180 x 1,000	1,842 x 1,180 x 1,000	1,842 x 1,540 x 1,000	1,842 x 1,540 x 1,000	1,842 x 2,010 x 1,000	1,842 x 2,420 x 1,000	
Net weight		kg	210	210	270	315	315	375	375	480	540	
Electrical ratings	Cooling	Running current	A	7.14 / 6.78 / 6.54	9.62 / 9.14 / 8.81	11.8 / 11.2 / 10.8	15.3 / 14.5 / 14.0	18.4 / 17.5 / 16.8	20.6 / 19.6 / 18.9	24.6 / 23.4 / 22.5	21.4 / 20.4 / 19.6	24.2 / 23.0 / 22.2
		Power input	kW	4.23	5.57	7.08	8.77	10.9	12.2	14.9	12.7	14.5
	Heating	Running current	A	7.15 / 6.79 / 6.54	9.68 / 9.20 / 8.86	11.6 / 11.1 / 10.7	14.9 / 14.1 / 13.6	16.6 / 15.8 / 15.2	18.9 / 18.0 / 17.4	22.9 / 21.7 / 20.9	21.3 / 20.2 / 19.5	24.0 / 22.8 / 22.0
		Power input	kW	4.28	5.67	6.97	8.51	9.75	11.1	13.7	12.6	14.4
Starting current	A	1	1	1	2	2	2	2	2	2		
Air flow rate		m³/h	13,440	13,440	13,920	13,920	13,920	24,300	24,300	27,360	27,840	
		L/s	3,733	3,733	3,867	3,867	3,867	6,750	6,750	7,600	7,733	
Refrigerant amount at shipment		kg	5.6	5.6	8.3	8.3	8.3	9.5	9.5	13.9	16.6	
External static pressure		Pa	80	80	80	80	80	80	80	80	80	
Piping connections	Gas pipe	mm (inches)	Ø19.05 (Ø3/4)	Ø22.22 (Ø7/8)	Ø25.40 (Ø1)	Ø25.40 (Ø1)	Ø28.58 (Ø1-1/8)	Ø28.58 (Ø1-1/8)	Ø28.58 (Ø1-1/8)	Ø28.58 (Ø1-1/8)	Ø28.58 (Ø1-1/8)	
	Liquid pipe	mm (inches)	Ø9.52 (Ø3/8)	Ø9.52 (Ø3/8)	Ø12.70 (Ø1/2)	Ø12.70 (Ø1/2)	Ø12.70 (Ø1/2)	Ø15.88 (Ø5/8)	Ø15.88 (Ø5/8)	Ø15.88 (Ø5/8)	Ø15.88 (Ø5/8)	
	Balance pipe	mm (inches)	Ø6.35 (Ø1/4)	Ø6.35 (Ø1/4)	Ø6.35 (Ø1/4)	Ø6.35 (Ø1/4)	Ø6.35 (Ø1/4)	Ø6.35 (Ø1/4)	Ø6.35 (Ø1/4)	Ø6.35 (Ø1/4)	Ø6.35 (Ø1/4)	
Ambient temperature operating range			Cooling: -10°C (DB)~ +52°C (DB). Heating: -25°C (WB)~ +18°C (WB)									
Sound pressure level	Normal mode	dB (A)	53.0	56.0	57.0	58.0	61.0	59.0	59.0	59.5	60.0	
	Silent mode (2)	dB (A)	48.0	51.0	52.0	53.0	56.0	54.0	54.0	54.5	55.0	
Sound power level	Normal mode	dB	74.0	77.0	78.0	79.0	82.0	80.0	80.0	80.5	81.0	












											
26	28	30	32	34	36	38	40	42	44	46	48
U-26ME2H7	U-28ME2H7	U-30ME2H7	U-32ME2H7	U-34ME2H7SP	U-36ME2H7SP	U-38ME2H7SP	U-40ME2H7SP	U-42ME2H7	U-44ME2H7	U-46ME2H7	U-48ME2H7
U-10ME2H7 U-16ME2H7	U-12ME2H7 U-16ME2H7	U-14ME2H7 U-16ME2H7	U-16ME2H7 U-16ME2H7	U-14ME2H7 U-20ME2H7	U-16ME2H7 U-20ME2H7	U-18ME2H7 U-20ME2H7	U-20ME2H7 U-20ME2H7	U-10ME2H7 U-16ME2H7 U-16ME2H7	U-12ME2H7 U-16ME2H7 U-16ME2H7	U-14ME2H7 U-16ME2H7 U-16ME2H7	U-16ME2H7 U-16ME2H7 U-16ME2H7
380/400/415V/3-phase/50Hz 380/400V/3-phase/60Hz											
73.0	78.5	85.0	90.0	96.0	101.0	107.0	113.0	118.0	124.0	130.0	135.0
249,100	267,900	290,100	307,200	327,600	344,700	365,200	385,700	402,700	423,200	443,700	460,800
81.5	87.5	95.0	100.0	108.0	113.0	119.0	127.0	132.0	138.0	145.0	150.0
278,200	298,600	324,200	341,300	368,600	385,700	406,100	433,400	450,500	471,000	494,900	511,900
4.42	4.36	4.31	4.13	4.05	3.91	3.89	3.74	4.31	4.26	4.25	4.13
5.29	5.24	5.19	5.13	4.86	4.81	4.80	4.58	5.22	5.19	5.18	5.12
1,842 x 2,010 x 1,000	1,842 x 2,420 x 1,000	1,842 x 2,420 x 1,000	1,842 x 2,420 x 1,000	1,842 x 2,780 x 1,000	1,842 x 2,780 x 1,000	1,842 x 3,140 x 1,000	1,842 x 3,140 x 1,000	1,842 x 3,250 x 1,000	1,842 x 3,660 x 1,000	1,842 x 3,660 x 1,000	1,842 x 3,660 x 1,000
525	585	630	630	690	690	750	750	840	900	945	945
28.2 / 26.8 / 25.8	30.4 / 28.9 / 27.8	33.6 / 31.9 / 30.8	36.8 / 35.0 / 33.7	40.0 / 38.0 / 36.6	43.1 / 40.9 / 39.4	45.9 / 43.6 / 42.0	49.9 / 47.4 / 45.7	46.3 / 43.9 / 42.4	49.1 / 46.7 / 45.0	52.2 / 49.6 / 47.8	55.2 / 52.4 / 50.5
16.5	18.0	19.7	21.8	23.7	25.8	27.5	30.2	27.4	29.1	30.6	32.7
26.3 / 25.0 / 24.1	28.2 / 26.8 / 25.8	31.6 / 30.0 / 28.9	33.3 / 31.6 / 30.5	37.9 / 36.0 / 34.7	39.7 / 37.7 / 36.3	41.9 / 39.8 / 38.3	46.2 / 43.9 / 42.3	43.2 / 41.0 / 39.5	44.9 / 42.7 / 41.1	48.3 / 45.9 / 44.3	50.0 / 47.5 / 45.8
15.4	16.7	18.3	19.5	22.2	23.5	24.8	27.7	25.3	26.6	28.0	29.3
3	3	4	4	4	4	4	4	5	5	6	6
27,360	27,840	27,840	27,840	38,220	38,220	48,600	48,600	41,280	41,760	41,760	41,760
7,600	7,733	7,733	7,733	10,617	10,617	13,500	13,500	11,467	11,600	11,600	11,600
13.9	16.6	16.6	16.6	17.8	17.8	19.0	19.0	22.2	24.9	24.9	24.9
80	80	80	80	80	80	80	80	80	80	80	80
Ø31.75 (Ø1-1/4)	Ø31.75 (Ø1-1/4)	Ø31.75 (Ø1-1/4)	Ø31.75 (Ø1-1/4)	Ø31.75 (Ø1-1/4)	Ø31.75 (Ø1-1/2)	Ø38.10 (Ø1-1/2)	Ø38.10 (Ø1-1/2)	Ø38.10 (Ø1-1/2)	Ø38.10 (Ø1-1/2)	Ø38.10 (Ø1-1/2)	Ø38.10 (Ø1-1/2)
Ø19.05 (Ø3/4)	Ø19.05 (Ø3/4)	Ø19.05 (Ø3/4)	Ø19.05 (Ø3/4)	Ø19.05 (Ø3/4)	Ø19.05 (Ø3/4)	Ø19.05 (Ø3/4)	Ø19.05 (Ø3/4)	Ø19.05 (Ø3/4)	Ø19.05 (Ø3/4)	Ø19.05 (Ø3/4)	Ø19.05 (Ø3/4)
Ø6.35 (Ø1/4)	Ø6.35 (Ø1/4)	Ø6.35 (Ø1/4)	Ø6.35 (Ø1/4)	Ø6.35 (Ø1/4)	Ø6.35 (Ø1/4)	Ø6.35 (Ø1/4)	Ø6.35 (Ø1/4)	Ø6.35 (Ø1/4)	Ø6.35 (Ø1/4)	Ø6.35 (Ø1/4)	Ø6.35 (Ø1/4)
Cooling: -10°C (DB)~ +52°C (DB). Heating: -25°C (WB)~ +18°C (WB)											
62.5	62.5	63.0	64.0	61.5	63.5	62.0	62.0	65.0	65.0	65.0	66.0
57.5	57.5	58.0	59.0	56.5	58.5	57.0	57.0	60.0	60.0	60.0	61.0
83.5	83.5	84.0	85.0	82.5	84.5	83.0	83.0	86.0	86.0	86.0	87.0

GLOBALREMARKS

Rated conditions:	Cooling	Heating
Indoor air temperature	27°C DB / 19°C WB	20°C DB
Outdoor air temperature	35°C DB	7°C DB / 6°C WB

These specifications are subject to change without notice. High durable model (with suffix "E") has same specifications.

Appearance												
HP	50	52	54	56	58	60	62	64	66			
Model name	U-14ME2H7 U-16ME2H7 U-20ME2H7	U-16ME2H7 U-16ME2H7 U-20ME2H7	U-14ME2H7 U-20ME2H7 U-20ME2H7	U-16ME2H7 U-20ME2H7 U-20ME2H7	U-18ME2H7 U-20ME2H7 U-20ME2H7	U-20ME2H7 U-20ME2H7 U-20ME2H7	U-14ME2H7 U-16ME2H7 U-16ME2H7	U-16ME2H7 U-16ME2H7 U-16ME2H7	U-10ME2H7 U-20ME2H7 U-20ME2H7	U-16ME2H7 U-20ME2H7 U-20ME2H7		
Power supply	380/400/415V/3-phase/50Hz 380/400V/3-phase/60Hz											
Capacity	Cooling	kW	140.0	145.0	151.0	156.0	162.0	168.0	174.0	180.0	185.0	
	BTU/h		477,800	494,900	515,400	532,400	552,900	573,400	593,900	614,300	631,400	
EER / COP	Cooling	W/W	4.09	3.99	3.95	3.87	3.86	3.76	4.23	4.13	4.00	
	Heating	W/W	5.00	4.95	4.79	4.76	4.73	4.60	5.16	5.11	4.85	
Dimensions	H x W x D	mm	1,842 x 4,020 x 1,000	1,842 x 4,020 x 1,000	1,842 x 4,380 x 1,000	1,842 x 4,380 x 1,000	1,842 x 4,740 x 1,000	1,842 x 4,740 x 1,000	1,842 x 4,900 x 1,000	1,842 x 4,900 x 1,000	1,842 x 5,210 x 1,000	
Net weight		kg	1,005	1,005	1,065	1,065	1,125	1,125	1,260	1,260	1,275	
Electrical ratings	Cooling	Running current	A	57.7 / 54.8 / 52.9	60.6 / 57.6 / 55.5	63.8 / 60.6 / 58.4	67.3 / 63.9 / 61.6	70.1 / 66.6 / 64.2	73.8 / 70.1 / 67.6	70.2 / 66.7 / 64.2	73.6 / 69.9 / 67.4	77.3 / 73.4 / 70.8
		Power input	kW	34.2	36.3	38.2	40.3	42.0	44.7	41.1	43.6	46.3
	Heating	Running current	A	52.9 / 50.3 / 48.5	54.5 / 51.8 / 49.9	59.6 / 56.6 / 54.6	62.1 / 59.0 / 56.9	65.0 / 61.7 / 59.5	68.6 / 65.2 / 62.8	64.5 / 61.3 / 59.1	67.1 / 63.7 / 61.4	72.1 / 68.5 / 66.0
		Power input	kW	31.0	32.3	35.3	36.8	38.5	41.1	37.8	39.3	42.7
Starting current	A	6	6	6	6	6	6	8	8	7		
Air flow rate		m³/h	52,140	52,140	62,520	62,520	72,900	72,900	55,680	55,680	75,960	
		L/s	14,483	14,483	17,366	17,366	20,250	20,250	15,467	15,467	21,100	
Refrigerant amount at shipment		kg	26.1	26.1	27.3	27.3	28.5	28.5	33.2	33.2	32.9	
External static pressure		Pa	80	80	80	80	80	80	80	80	80	
Piping connections	Gas pipe	mm (inches)	Ø38.10 (Ø1-1/2)	Ø38.10 (Ø1-1/2)	Ø38.10 (Ø1-1/2)	Ø38.10 (Ø1-1/2)	Ø38.10 (Ø1-1/2)	Ø38.10 (Ø1-1/2)	Ø41.28 (Ø1-5/8)	Ø41.28 (Ø1-5/8)	Ø41.28 (Ø1-5/8)	
	Liquid pipe	mm (inches)	Ø19.05 (Ø3/4)	Ø19.05								

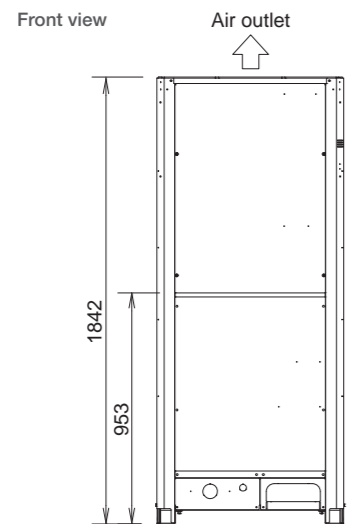
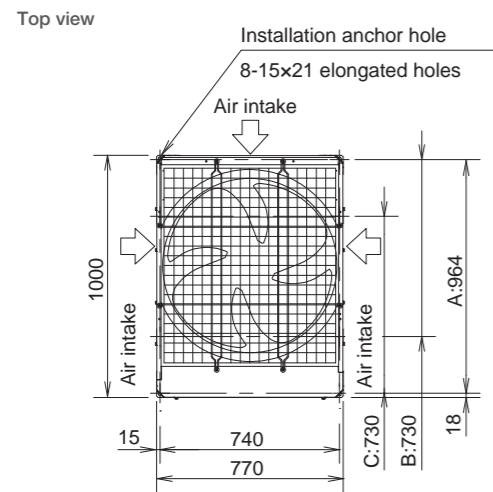
2-WAY FSV-EX ME2 Series **SPACE SAVING COMBINATION MODEL**



**8 / 10 HP**

According to the installation site, you may choose the setting position in the depth direction of the anchor bolt from A, B or C.

- A: (Installation hole pitch) For removing tube forward
- B: (Installation hole pitch) For removing the downward
- C: (Installation hole pitch)

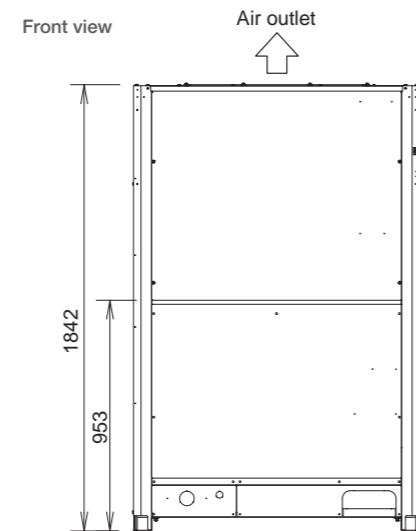
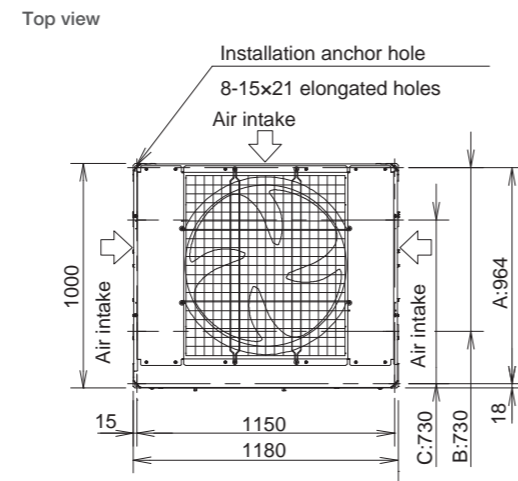


unit: mm

**12 / 14 / 16 HP**

According to the installation site, you may choose the setting position in the depth direction of the anchor bolt from A, B or C.

- A: (Installation hole pitch) For removing tube forward
- B: (Installation hole pitch) For removing the downward
- C: (Installation hole pitch)

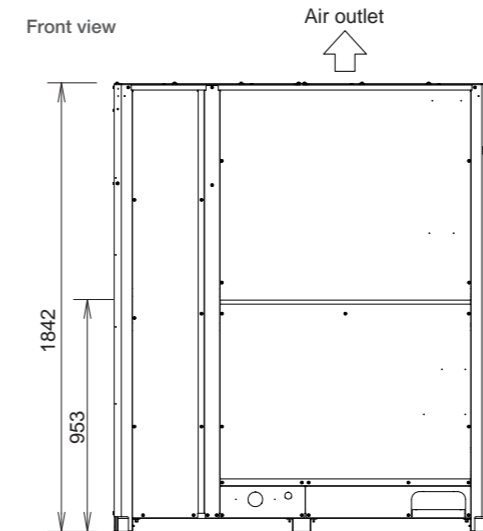
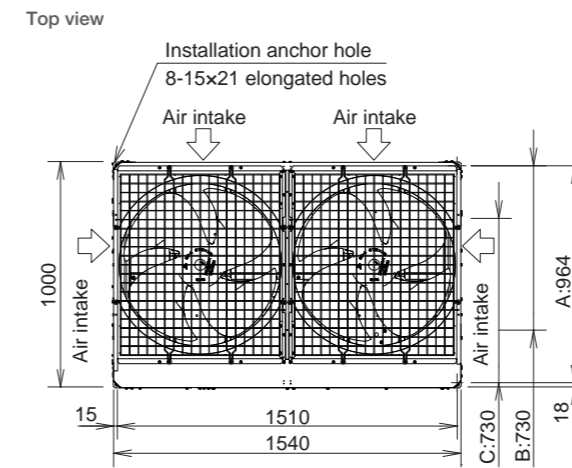


unit: mm

**18 / 20 HP**

According to the installation site, you may choose the setting position in the depth direction of the anchor bolt from A, B or C.

- A: (Installation hole pitch) For removing tube forward
- B: (Installation hole pitch) For removing the downward
- C: (Installation hole pitch)



unit: mm