

Cooling Only FSV-EX MS3 Series

Appearance						
HP		92	94	96		
		U-92MS3H7SP	U-94MS3H7SP	U-96MS3H7SP		
Model name		U-20MS3H7 U-24MS3H7 U-24MS3H7 U-24MS3H7	U-22MS3H7 U-24MS3H7 U-24MS3H7 U-24MS3H7	U-24MS3H7 U-24MS3H7 U-24MS3H7 U-24MS3H7		
Power supply		380/400/415V/3-phase/50Hz 380/400/3-phase/60Hz				
Capacity	Cooling	kW	260.0	266.0	272.0	
		BTU/h	887,400	907,800	928,300	
EER / COP	Cooling	W/W	3.49	3.45	3.42	
Dimensions	H x W x D	mm	1,842 x 6,340 x 1,000	1,842 x 6,340 x 1,000	1,842 x 6,340 x 1,000	
Net weight		kg	1,464	1,464	1,464	
Electrical ratings	Cooling	Running current	A	123.0 / 116.9 / 112.7	127.2 / 120.8 / 116.4	131.3 / 124.7 / 120.2
		Power input	kW	74.5	77.0	79.5
Starting current		A	8	8	8	
Air flow rate		m³/h	97,200	97,200	97,200	
		L/s	27,000	27,000	27,000	
Refrigerant amount at shipment		kg	38.0	38.0	38.0	
External static pressure		Pa	80	80	80	
Piping connections	Gas pipe	mm (inches)	Ø53.98 (Ø2-1/8)	Ø53.98 (Ø2-1/8)	Ø53.98 (Ø2-1/8)	
	Liquid pipe	mm (inches)	Ø22.22 (Ø7/8)	Ø22.22 (Ø7/8)	Ø22.22 (Ø7/8)	
	Balance pipe	mm (inches)	Ø6.35 (Ø1/4)	Ø6.35 (Ø1/4)	Ø6.35 (Ø1/4)	
Ambient temperature operating range			Cooling: 10°C (DB)~ +52°C (DB)			
Sound pressure level	Normal mode	dB (A)	67.0	68.0	68.0	
	Silent mode (2)	dB (A)	62.0	63.0	63.0	
Sound power level	Normal mode	dB	88.0	89.0	89.0	

GLOBALREMARKS

Rated conditions:	Cooling
Indoor air temperature	27°C DB / 19°C WB
Outdoor air temperature	35°C DB

These specifications are subject to change without notice.

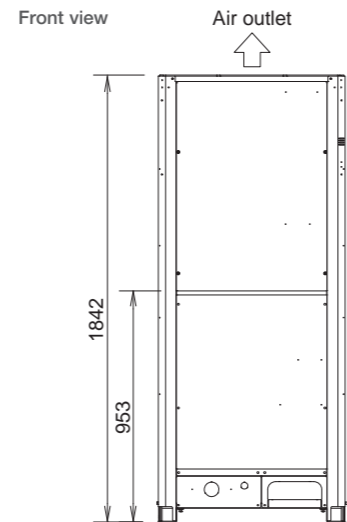
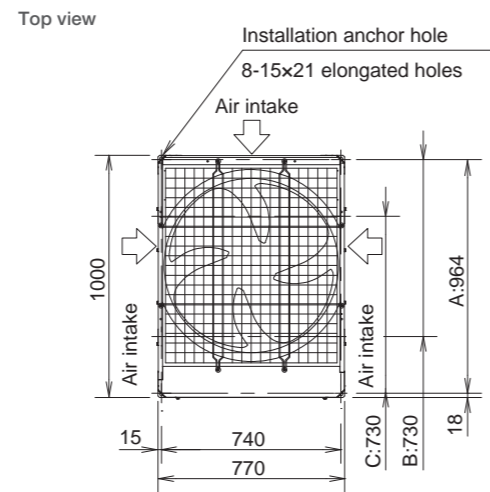
SPACE SAVING COMBINATION MODEL



8 / 10 / 12 HP

According to the installation site, you may choose the setting position in the depth direction of the anchor bolt from A, B or C.

- A: (Installation hole pitch) For removing tube forward
- B: (Installation hole pitch) For removing the downward
- C: (Installation hole pitch)

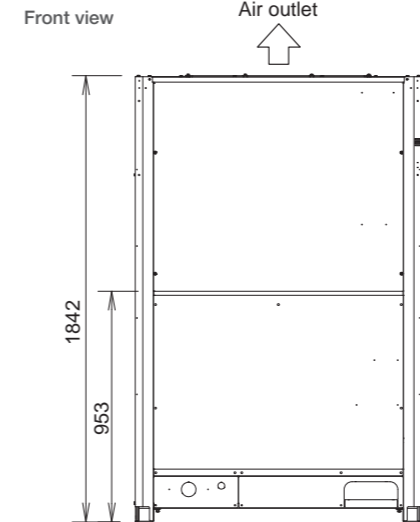
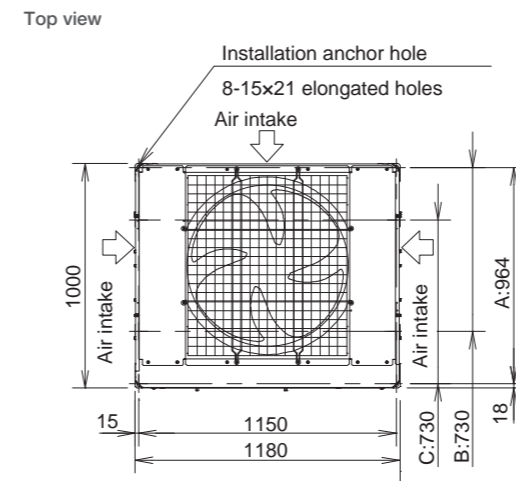


unit: mm

14 / 16 / 18 HP

According to the installation site, you may choose the setting position in the depth direction of the anchor bolt from A, B or C.

- A: (Installation hole pitch) For removing tube forward
- B: (Installation hole pitch) For removing the downward
- C: (Installation hole pitch)

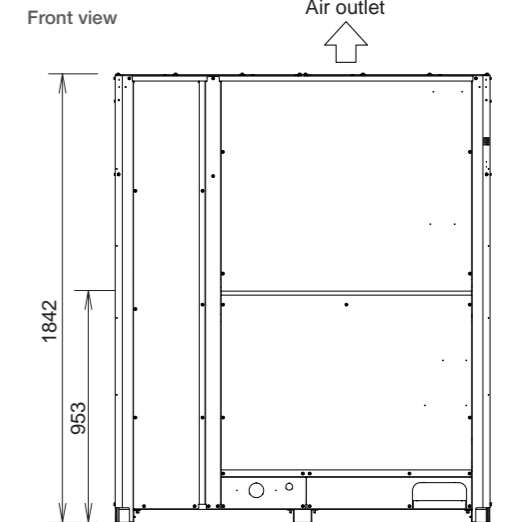
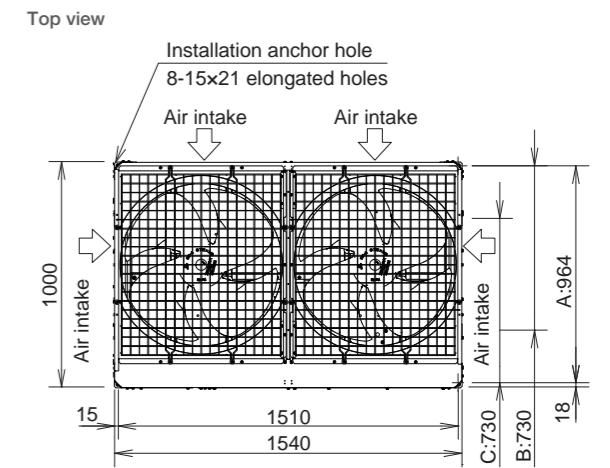


unit: mm

20 / 22 / 24 HP

According to the installation site, you may choose the setting position in the depth direction of the anchor bolt from A, B or C.

- A: (Installation hole pitch) For removing tube forward
- B: (Installation hole pitch) For removing the downward
- C: (Installation hole pitch)



unit: mm