

Panasonic

Front Load
Washing Machine

FX/FG/FB
Series



Protect what you love.
Remove what you don't.



StainMaster+

ActiveFoam
SYSTEM



Care+

Hygiene Expert

Ideal Hygiene Care for Your Baby

All mothers prioritize the health of their child above all else. Hygiene is one of the biggest concerns in protecting infant health. Keep every stitch of fabric that comes in contact with a baby's skin extra clean. Panasonic provides daily washing to keep your child healthy.

Panasonic Technology Provides Clean & Hygienic Washing



**BLUE
AG+**

Bacteria
Elimination



StainMaster+

Allergy Care &
Stain Removal



ActiveFoam
SYSTEM

Extra Clean Results
& Time Saving

Why is Hygiene Care important?

We all know babies put everything they find in their mouths from blankets to socks. Things may look clean, but bacteria and allergens find their way into the fabric. All mothers do everything they can to hand wash those clothes, but all that effort is not enough. The best solution is dedicated hygiene care on top of the standard wash.



Protect Your Baby from Bacteria

Troublesome hot-water washing is no longer necessary thanks to Blue Ag+. This innovation eliminates invisible bacteria on clothes, towels and other fabrics through a simple wash at a normal water temperature to protect your child from coming into contact with these germs.

Rest Easy with Effortless and Assured Bacteria Care

The Blue Ag+ technology from Panasonic combines UV light and Ag ions to eliminate 99.99%*¹ of bacteria in addition to a powerful antibacterial effect. The extraordinary innovation provides a normal temperature wash to alleviate any concerns about damaging your baby clothes.



- Eliminates 99.99%*¹ of Bacteria
- Provides Antibacterial Protection*²
- Uses 71%*³ Less Energy and Takes 7%*³ Less Time
- Causes Less Damage and Less Fading

NOTE: Blue Ag+ can be used for loads of up to 3 kg.

*¹ Certified by Japan Food Research Laboratories. Test report number: 19085536001-0201 Eliminating Bacteria rate: Staphylococcus aureus up to 99.99%, Escherichia coli up to 99.99%.

*² Up to 18-hour antibacterial protection (Certified by the Japan Kaken Test Center General Incorporated Foundation. Test report number: DS-19-040483-2 Bacteria tested: Staphylococcus aureus NBRC 12732)

*³ Comparing Blue Ag+ and the cotton course (temperature setting: cold; load: 3 kg) versus the cotton course alone (temperature setting: 60°C; load: 3 kg)

UV and Ag Ions Ensure Safe and Effective Hygiene Performance

UV-A light is safe for humans, Ag (silver) ions have been proven to be useful for hygiene purposes, and Panasonic has made it easy to replace the device. Dr. Kourai shares his expertise on the effectiveness of Blue Ag+, its safety, and the convenience it offers mothers with daily laundry chores.

Blue Ag+ Alleviates Concerns about Hygiene



Blue Ag+ provides a completely new method to eliminate bacteria. This technology takes advantage of the powerful bacteria elimination effect of OH radicals generated when Ag ions dissolved in rinse water in the tub are irradiated with UV light.

Blue Ag+ Proven to Eliminate 99.99%*1 of Bacteria

Tests conducted by a third-party organization have proven the exceptional bacteria elimination performance of Blue Ag+.

*1 Certified by Japan Food Research Laboratories. Test report number: 19085536001-0201 Eliminating Bacteria rate: Staphylococcus aureus up to 99.99%, Escherichia coli up to 99.99%



Hiroki KOURAI, Dr. Authority on Bacteria Elimination

Hiroki Kourai is a doctor of engineering who started his career working at The University of Tokushima before serving as a member of the Antibacterial, Antifungal and Antiviral Standards Committee at the International Organization for Standardization, and as a member of a committee for the Ministry of Education, Culture, Sports, Science and Technology of Japan. He is currently an advisor to The Society for Antibacterial and Antifungal Agents, Japan.

Easily Handle Stubborn Dirt and Allergens

StainMaster+ washes away a variety kinds of stains, bacteria and allergens to keep clothes clean thorough optimized wash programs selected with just the touch of a button.



Allergen & Stain Removal for Your Baby

Dust mites that breed in bedding, towels and other types of fabrics can trigger the unpleasant symptoms of allergies, especially in infants with sensitive skin. StainMaster+ 60/90°C* Allergy Course gives peace-of-mind to all mothers thanks to its ability to eliminate not only dust mites but also other allergens and bacteria.

*You can set water temperature with the Temp button.

StainMaster+ Courses

	40°C			60/90°C
Mud	Oily	Collar/Sleeve	Allergy	

Temperature when sebum begins to dissolve and activate enzymes in the detergent to remove dirt

Temperature to eliminate bacteria and allergens

- Eliminates 99%*¹ of Allergen
- Eliminates 99.9%*² of Bacteria

*1 This product has been endorsed by Allergy UK with third-party testing results.
*2 Escherichia coli ATCC29922 & Staphylococcus aureus ATCC25923 up to 99.9% [Testing Laboratories] Institute of Biotechnology (Hanoi) [Report Issue Date] 23/Oct/2019 Operating condition: Allergy 60°C

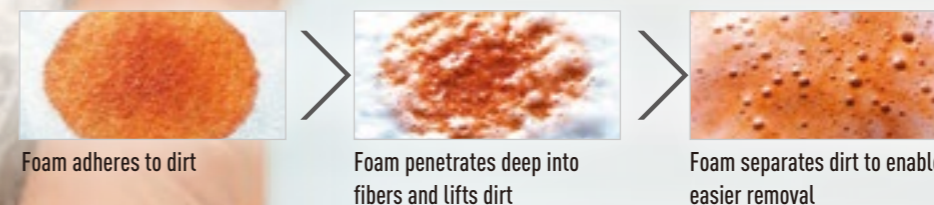
Easy Daily Washing for You

Spend less time washing and more time enjoying quality time with your child.
The Panasonic ActiveFoam system quickly yet thoroughly washes away dirt and grime with the power of a dense foam.

Ideal Results in Less Time via Fine Foam

The ActiveFoam System creates fine, high-density foam before the wash cycle starts. This foam quickly penetrates clothes to lift, separate and remove dirt deep in fibers for extra clean results.

Power of Foam



Cleaner, Faster, and Saves You More Time

Active Speed 38 course

38min. (Half load)

52min. shorter

Daily Care course

90min. (Full load)

Stylish, Minimalistic Design for Living Comfort

Washing machines need to be easy to use because we use them on a daily basis. As illustrated by the simple straight and circular door ring, Panasonic emphasizes a sleek, minimalistic design perfect for any space. The user-friendly design also ensures everyone can get the most out of their washer.



Hassle-free Laundry



Easy to Replace Ag+ Case

The Ag+ case is located in the detergent case to easily replace as necessary.






Trouble-free Auto Tub Care

The machine automatically cleans the tub after every wash to eliminate the detergent residue that may causes black mold and a foul odor.



Wide Inlet for Easy Loading

The 360 mm diameter tub offers great access to easily load laundry, even with large items.

Specification								
Model		NA-V10FX1	NA-V90FX1	NA-V80FX1	NA-V10FG1	NA-V90FG1	NA-V80FB1	
Loading Capacity		10.0kg	9.0kg	8.0kg	10.0 kg	9.0 kg	8.0 kg	
Basic Specification	Spin Speed (max.rpm)	1400	1400	1400	1400	1400	1400	
	Dimension (W x D x H / mm)	596 x 600 x 845	596 x 600 x 845	596 x 600 x 845	596 x 600 x 845	596 x 600 x 845	596 x 600 x 845	
	Weight (Net)	75 kg	75 kg	75 kg	75 kg	75 kg	75 kg	
	Voltage / Frequency	220-240V 50/60Hz	220-240V 50Hz	220-240V 50Hz	220-240V 50Hz	220-240V 50Hz	220-240V 50/60Hz	
	Door Inlet Diameter (mm)	360	360	360	360	360	360	
	Control Panel Type	LED Display Type	LED Display Type	LED Display Type	LED Display Type	LED Display Type	LED Display Type	
	Color (Body)	SUS Silver	SUS Silver	White	White	White	White	
Wash Feature	Blue Ag+	✓	✓	✓	—	—	—	
	StainMaster+	✓	✓	✓	✓	✓	—	
	ActiveFoam System	✓	✓	✓	✓	✓	✓	
	Active Speed Wash	✓	✓	✓	✓	✓	✓	
	3D Sensor Wash	✓	✓	✓	✓	✓	✓	
	ECONAVI	Laundry Load sensor Water Temperature sensor Laundry Material sensor	Laundry Load sensor Water Temperature sensor Laundry Material sensor	Laundry Load sensor Water Temperature sensor Laundry Material sensor	Laundry Load sensor Water Temperature sensor Laundry Material sensor	Laundry Load sensor Water Temperature sensor Laundry Material sensor	Laundry Load sensor Water Temperature sensor Laundry Material sensor	—
	INVERTER	✓	✓	✓	✓	✓	✓	
Convenient Feature	Auto Tub Care	✓	✓	✓	✓	✓	✓	
	Child Lock	✓	✓	✓	✓	✓	✓	
	Add clothes	✓	✓	✓	✓	✓	✓	
	Alpha Drum	✓	✓	✓	✓	✓	✓	

*The contents of this information are effective as of November, 2019

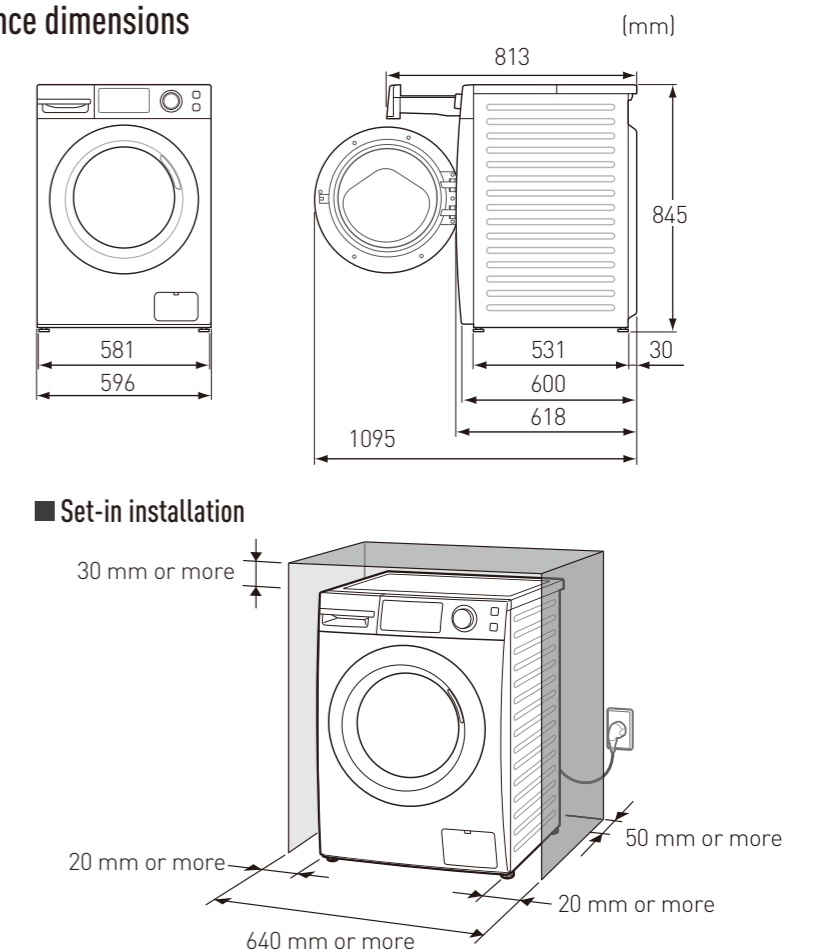
Washing Programs

Cotton*1	For everyday clothes	
Daily wash	Everyday clothes (Faster than the Cotton program)	
Synthetic	For chemical fibers	
Delicates	Washes gently	
Bedding	For large items	
Cotton+*2	Saves water and energy	
Tub Clean	Cleans the drum	
Active Speed 38	For small loads, washes faster than the Cotton program	
Rapid 15	For small loads of lightly soiled items	
Soak	For heavily soiled clothes	
Intensive*3	Powerful washing	
StainMaster+*4	Allergy*5	Removes mites and pollen for allergy care
	Mud	Removes soil, sand, dust and other particles
	Oily Sauce	Removes oily stains such as ketchup and meat sauce
	Collar & Sleeve	Removes sebum stains on collars and cuffs

*1 The Malaysian models adopt a "Normal" course. *2 The Malaysian models adopt a "Cotton" course.

*3 Applies to NA-V80FB1 only. *4 Excludes NA-V80FB1. *5 This program for NA-V80FB1 differs from the StainMaster+ program.

Appliance dimensions



NOTICE

Do not let the metallic portions of the appliance come into contact with metal sinks or other appliances.