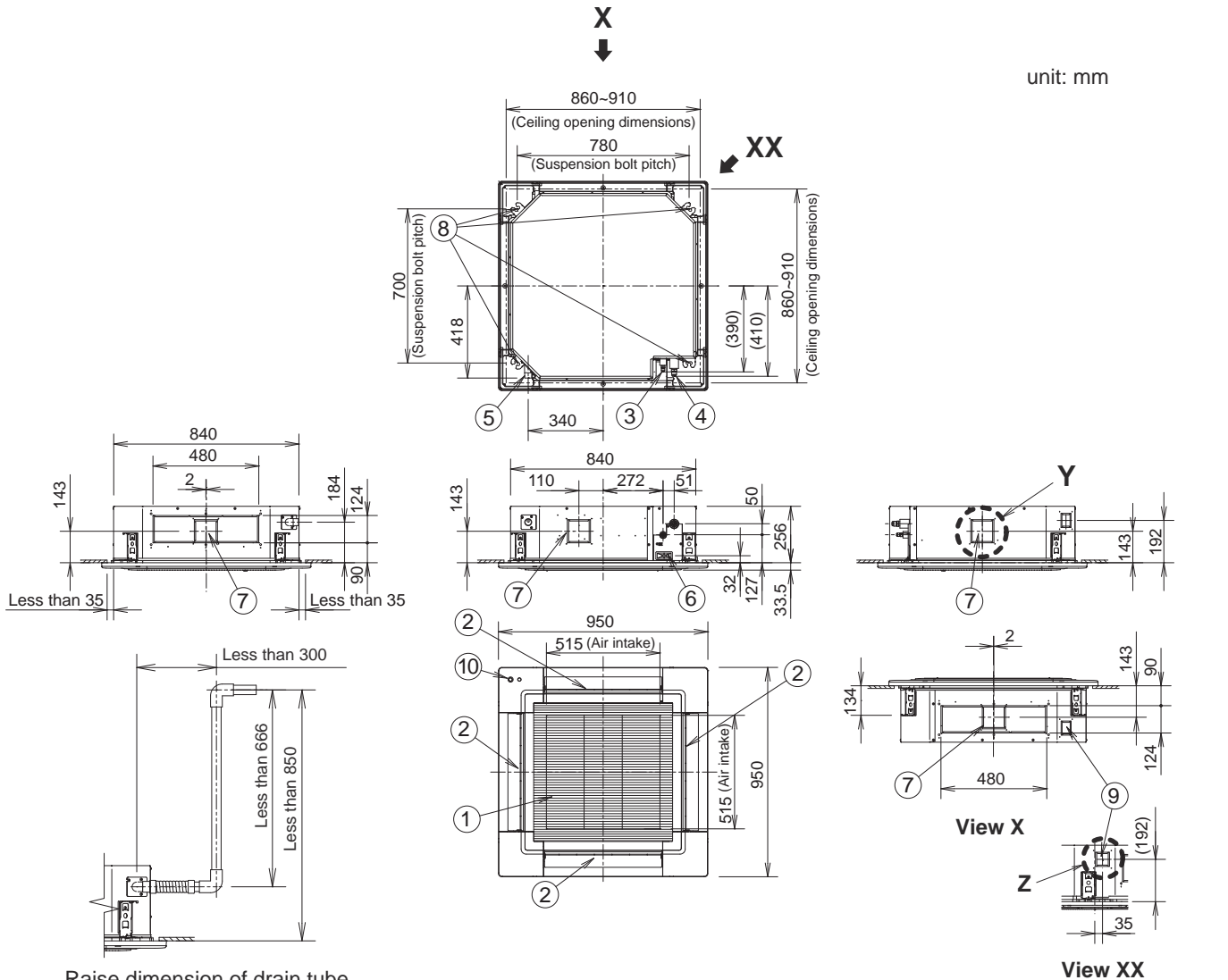


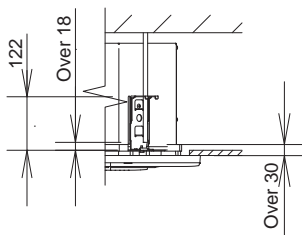
Dimensional Data

Indoor Units: S-22MU2E5A / S-28MU2E5A / S-36MU2E5A / S-45MU2E5A / S-56MU2E5A / S-60MU2E5A / S-73MU2E5A / S-90MU2E5A



Raise dimension of drain tube

The length of the suspension bolts should be selected so that there is a gap of 30 mm or more below the lower surface of the ceiling (18 mm or more below the lower surface of the main unit), as shown in the figure at right. If the suspension bolt is too long, it will contact the ceiling panel and the unit cannot be installed.

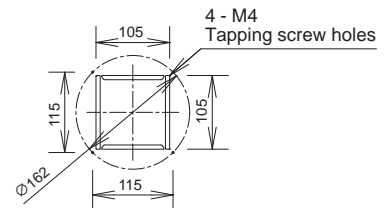


①	Air intake
②	Discharge outlet
③	Refrigerant tubing (liquid tube) 22-56 type ø6.35 (flared), 60-90 type ø9.52 (flared)
④	Refrigerant tubing (gas tube) 22-56 type ø12.7 (flared), 60-90 type ø15.88 (flared)
⑤	Drain tube connection port VP25 (outer dia. ø32)
⑥	Power supply port
⑦	Discharge duct connection port (ø150)
⑧	Suspension bolt hole (4-12x30 elongated hole)
⑨	Fresh air intake duct connection port (ø100) *
⑩	ECONAVI sensor (Only CZ-KPU3A)

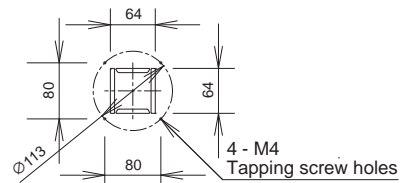
* Necessary to attach duct connecting flange(field supplied).

<Filter dimension>

520 x 520 x 15

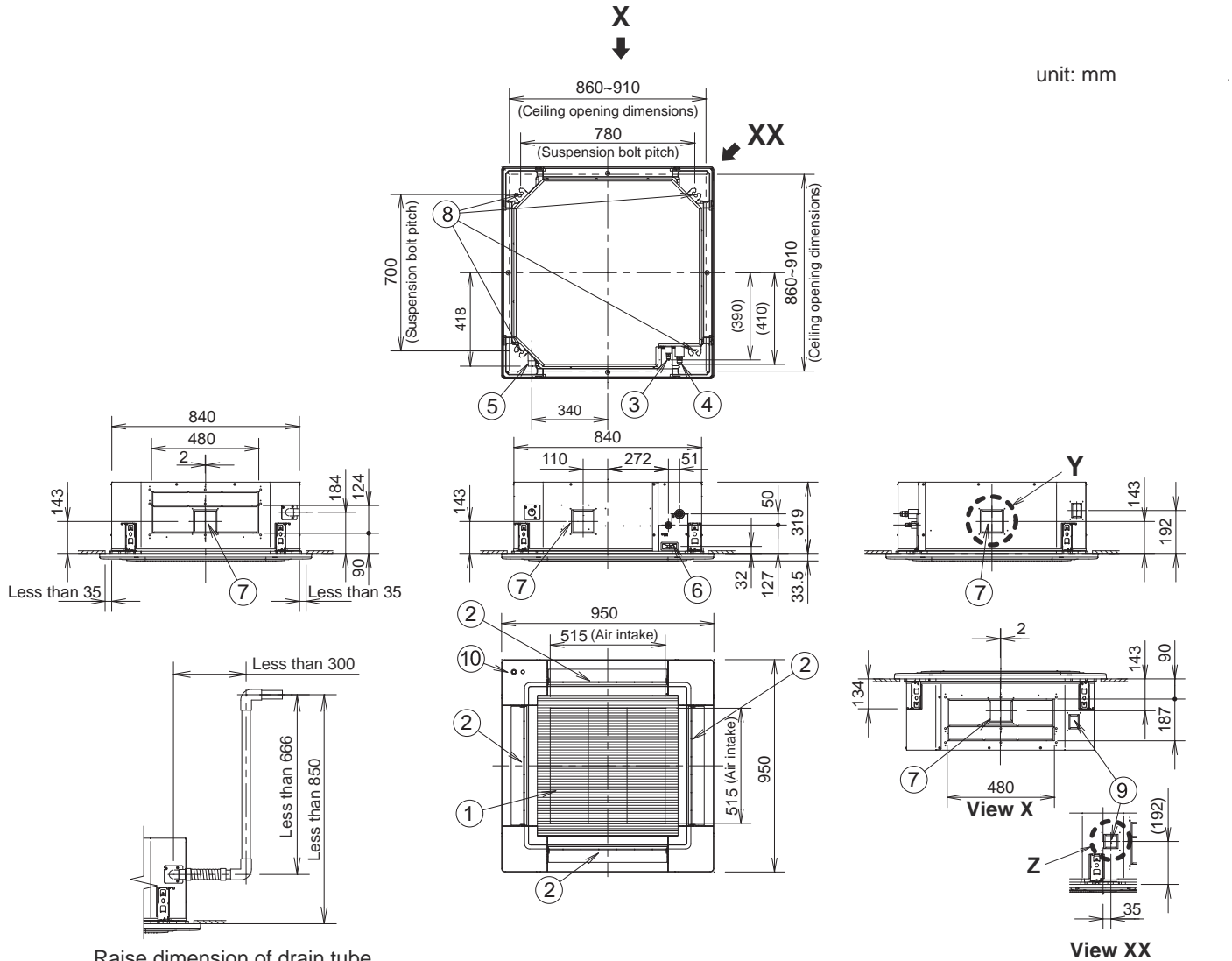


Detailed view Y



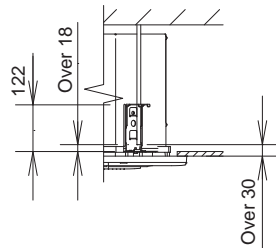
Detailed view Z

Indoor Units: S-106MU2E5A / S-140MU2E5A / S-160MU2E5A



Raise dimension of drain tube

The length of the suspension bolts should be selected so that there is a gap of 30 mm or more below the lower surface of the ceiling (18 mm or more below the lower surface of the main unit), as shown in the figure at right. If the suspension bolt is too long, it will contact the ceiling panel and the unit cannot be installed.

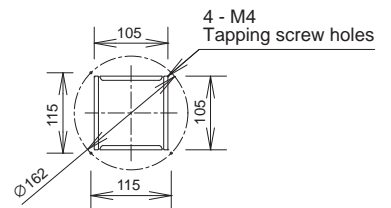


①	Air intake
②	Discharge outlet
③	Refrigerant tubing (liquid tube) $\phi 9.52$ (flared)
④	Refrigerant tubing (gas tube) $\phi 15.88$ (flared)
⑤	Drain tube connection port VP25 (outer dia. $\phi 32$)
⑥	Power supply port
⑦	Discharge duct connection port ($\phi 150$)
⑧	Suspension bolt hole (4-12x30 elongated hole)
⑨	Fresh air intake duct connection port ($\phi 100$) *
⑩	ECONAVI sensor (Only CZ-KPU3A)

* Necessary to attach duct connecting flange(field supplied).

<Filter dimension>
520 x 520 x 15

Detailed view Y



Detailed view Z

