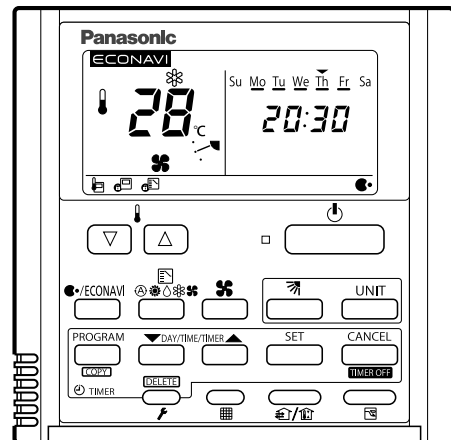


## Timer Remote Controller Installation Instruction



<https://eu.datanavi.ac.smartcloud.panasonic.com/documents/index.htm?model=CZ-RTC4A>

### SAFETY PRECAUTIONS

- Read the following "SAFETY PRECAUTIONS" carefully before installation.
- Electrical work must be installed by a licensed electrician.
- The caution items stated here must be followed because these important contents are related to safety. The meaning of each indication used is as below. Incorrect installation due to ignoring of the instruction will cause harm or damage, and the seriousness is classified by the following indications.

	<b>WARNING</b> This indication shows the possibility of causing death or serious injury.
	<b>CAUTION</b> This indication shows the possibility of causing injury or damage to properties.

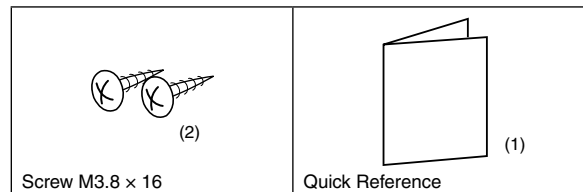
The items to be followed are classified by the symbols:

	Symbol with white background denotes item that is PROHIBITED from doing.
	Symbol with dark background denotes item that must be carried out.

- Carry out test running to confirm that no abnormality occurs after the installation. Then, explain to user the operation, care and maintenance as stated in instructions. Please remind the customer to keep the operating instructions and installation instruction for future reference.

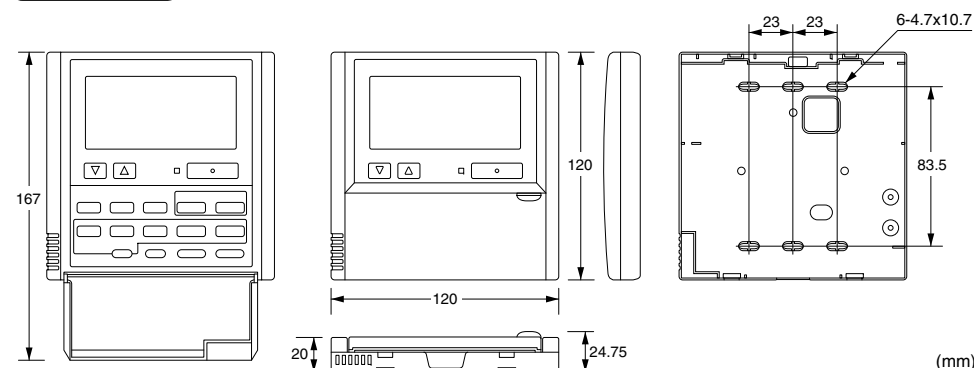
<b>WARNING</b>	
	Do not modify the length of the remote controller cable. Otherwise, it will cause fire or electrical shock.
	Be sure to turn off the main power before installing and connecting the remote controller. Otherwise, it will cause the electrical shock.
	Engage authorized dealer or specialist for installation. If installation done by the user is defective, it will cause electrical shock or fire.
	Install according to this installation instructions strictly. If installation is defective, it will cause electrical shock or fire.
	Use the attached accessories parts and specified parts for installation. Otherwise, it will cause the set to fall, fire or electrical shock.
	For electrical work, follow the local national wiring standard, regulation and this installation instruction. Otherwise, it will cause the electrical shock or fire.
	Wire routing must be properly arranged so that control board cover is fixed properly. If control board cover is not fixed perfectly, it will cause fire or electrical shock.
	If passing the remote controller cable through a wall, be sure to install a water trap above the cable. Otherwise, it will cause the electrical shock.
<b>CAUTION</b>	
	Do not touch the sharp aluminium fin of air conditioner unit during wired remote controller installation, sharp parts may cause injury.
	Install in a flat surface to avoid warping of remote controller, else damage to the LCD case or operation problems may result.
	Avoid installing the remote controller cable near refrigerant pipes or drain pipes, else will cause electrical shock or fire.
	Install the remote controller cable at least 5cm away from electric wires of other appliances to avoid miss operation (electromagnetic noise).
	Be sure to use only the accessory screws to avoid damage of remote controller PCB.

### Supplied Accessories



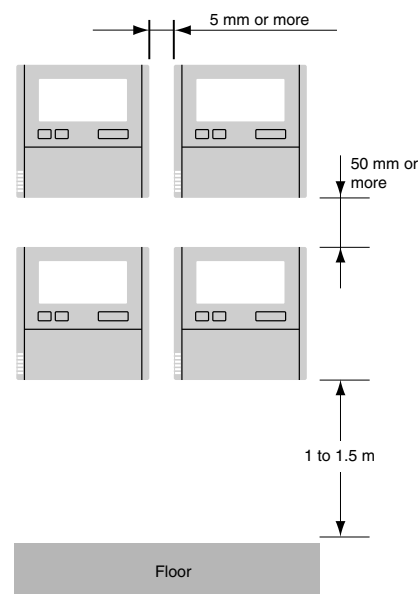
\*Remote control wiring is not supplied. (field supplied item)

### Dimensions



### 1. Installation Precautions

#### Installation location



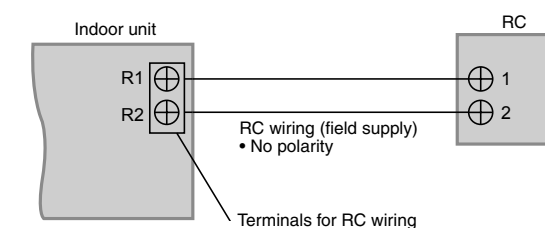
- Install at the height of 1 to 1.5 m from the floor (Location where average room temperature can be detected).
- Install vertically against the floor.
- When installing more than 1 remote controller next to each other, keep distance of 5 mm on the right and left and 50 mm on top and bottom.
- Avoid the following locations for installation.
  - By the window, etc. exposed to direct sunlight or direct air
  - In the shadow or backside of objects deviated from the room airflow.
  - Location where condensation occurs (The remote controller is not moisture proof or drip proof.)
  - Location near heat source
  - Uneven surface
- Keep distance of 1 m or more from the TV, radio and PC. (Cause of fuzzy images or noise)

#### CAUTION

- Do not use the remote controller at the following locations.
  - Location where condensation occurs
  - Location where flammable gases, etc. may leak
  - Location where corrosive gases, etc. may leak
  - Location with lots of water or oil droplets (including machine oil)
  - Location where voltage fluctuation frequently occurs
  - Location where there is a machine producing electromagnetic radiation
  - Location where droplets of organic solvents spread
  - Location where acidic or alkaline solutions or special sprays are frequently used
- Do not operate with wet hands.
- Do not wash with water.

### Remote control wiring

#### ■ Wiring diagram



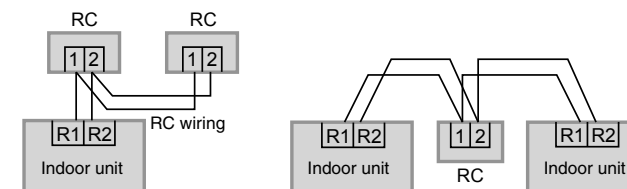
- **Type of wiring**  
Use cables of 0.5 to 1.25 mm<sup>2</sup>.
- **Total wire length:** 500 m or less  
(The wire length between indoor units should be 200 m or less.)
- **Number of connectable units**  
Remote controller: Max. 2 Indoor unit: Max. 8

#### Attention

- Use the field supplied RC wiring with at least 1 mm in thickness of insulation part including the sheath. Regulations on wire diameters differ from locally to locally. For field wiring rules, please refer to your LOCAL ELECTRICAL CODES before beginning. You must ensure that installation complies with relevant rules and regulations.
- Be careful not to connect cables to other terminals of indoor units (e.g. power source wiring terminal). Malfunction may occur.
- Do not bundle together with the power source wiring or store in the same metal tube. Operation error may occur.
- If noise is induced to the unit power supply, attach a noise filter.

#### \*Wiring as shown below is prohibited.

Installation example



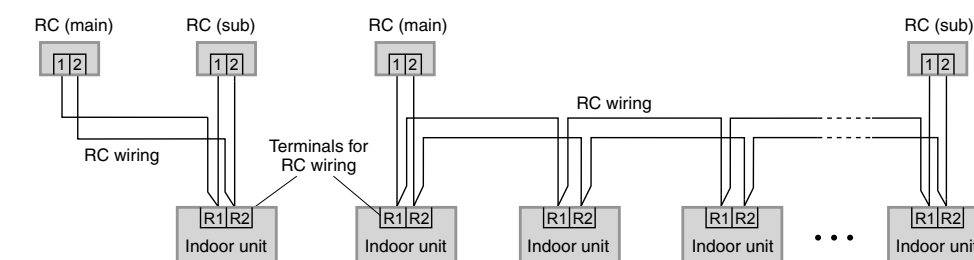
#### When setting both the main and sub remote controllers

After installation, set one remote controller to [Main] and the other to [Sub] for [Main/sub]. Refer to section "Setting" (P.2) for details.

Installation example

#### Using 1 indoor unit

#### Using more than 1 indoor unit

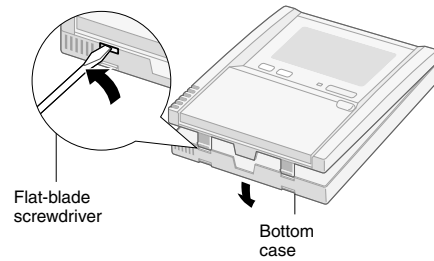


\*Remote controllers can be connected to any indoor unit for operation.

## 2. Mounting

### 1. Remove the bottom case.

- Insert the driver and slightly turn.  
\* Do not insert the screw driver too deep.  
Doing so may cause the claw to be broken.



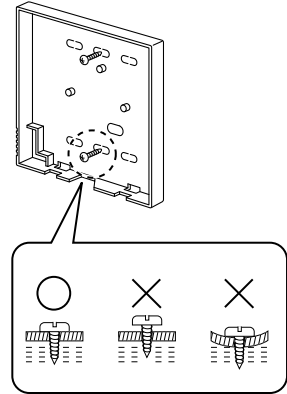
### Attention

#### Mounting the bottom case

- Tighten the screws securely until the screw heads touch the bottom case. (Otherwise, loose screw heads may hit the PCB and cause malfunction when mounting the top case.)
- Do not over-tighten the screws. (The bottom case may be deformed, resulting in fall of the unit.)

#### Connecting the remote control wiring

- Arrange the wires as shown in the illustration for ⑥ in step 2 (P.14 - 15) and ⑤ (P.16 - 17), avoiding unnecessary wires being stored in the case.
- Avoid the wires touching parts on the PCB.
- Avoid the wires coming in contact with the metallic object protruded from the PCB. (Caught wires may destroy the PCB.)

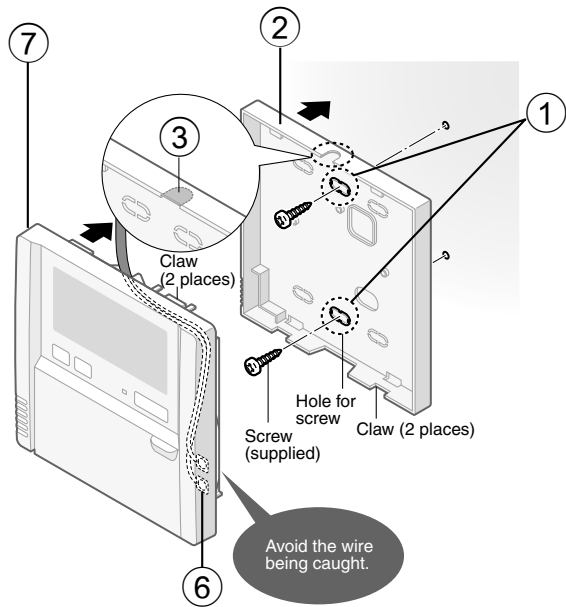


#### Mounting the top case

- Do not push the top case with excessive force. (Doing so may cause the protrusions of the bottom case to hit and destroy the PCB.)

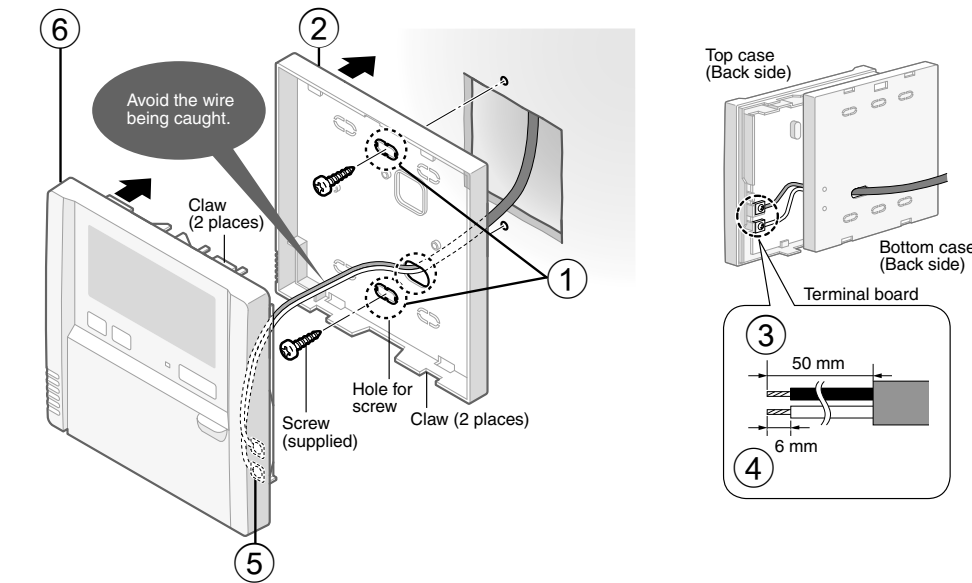
## 2. Mount to the wall.

### Exposed type



- Make 2 holes for screws using a driver.
- Mount the bottom case to the wall.
- Cut here with a nipper and remove the burr with a file.
- Remove the sheath. Approx. 150 mm
- Remove the coating. Approx. 6 mm
- Connect the remote control wiring.
  - Make sure the wiring connection is in the correct direction.
  - Arrange the wires along the groove of the case.
  - Avoid the wire being caught.
- Mount the top case.
  - Align the claws of the top case and then align the claws of the bottom case.

### Embedded type



- Make 2 holes for screws using a driver.
- Mount the bottom case to the wall.
  - Pass the wire through the hole in the centre of the bottom case.
- Remove the sheath. Approx. 50 mm
- Remove the coating. Approx. 6 mm
- Connect the remote control wiring.
  - Make sure the wiring connection is in the correct direction.
  - Avoid the wire being caught.
- Mount the top case.
  - Align the claws of the top case and then align the claws of the bottom case.

## 3. Setting/Test Operation/Specifications

### Setting

- Clock
- RC. setting mode (Main/sub, Clock type)
- Detailed setting mode (Ventilation fan output setting, Room temperature sensor, Temperature display setting)

#### Clock

- Press and hold **SET** for several seconds.

- Set day of the week, hour and minute. **DAY/TIME/TIMER** → **SET** "▼": Su ↔ Mo ↔ ... ↔ Sa (Repeat)

#### RC. setting mode

- Press and hold the 2 buttons for several seconds simultaneously. **SET**, **UNIT**
- Select the Code no. **DAY/TIME/TIMER** → **SET**
- Select the Set data. **DAY/TIME/TIMER** → **SET**  
The indicator illuminates after blinking. Press **UNIT**.

Code no.	Item	Set data	
		0000	0001
01	Main/sub	Sub	Main
02	Clock type	24 hours	12 hours (AM/PM)

#### Detailed setting mode

- Press and hold the 3 buttons for several seconds simultaneously. **UNIT**, **SET**, **CANCEL**
- Select the Code no. **DAY/TIME/TIMER** → **SET**
- Select the Unit no. **UNIT**
- Select the Set data. **DAY/TIME/TIMER** → **SET**  
The indicator illuminates after blinking. Press **UNIT**.

Code no.	Item	Set data	
		0000	0001
31	Ventilation fan output setting	Not connected	Connected
32	Room temperature sensor	Main unit	RC
33	Temperature display setting	°C	°F

## Test operation

Turn on the circuit breaker beforehand, referring to the operating instructions for the unit. The remote controller starts.

- Press and hold **TEST** for several seconds. [TEST] display appears. (The unit enters the test operation mode.)
- Press **TEST**. Perform the test operation. [TEST] is displayed during the test operation.
- Press **TEST**. Finish the test operation. [TEST] display disappears.
- Delete the error history. Press and hold the 2 buttons for several seconds simultaneously. **UNIT**, **SET**  
[Information of errors is displayed. To delete the error history, press **CANCEL**. Press **UNIT** to finish service mode.

### Attention

- Do not use this mode for purposes other than the test operation. (To prevent overload of the units)
- Read the installation instructions supplied with the units.
- Any of the Heat, Cool and Fan operations can only be performed.
- Temperature cannot be changed.
- The test operation mode is automatically turned off in 60 minutes. (To prevent continuous test operation)
- Outdoor units do not operate for approx. 3 minutes after the power is turned on or operation is stopped.

## Specifications

Model No.	CZ-RTC4A	
Dimensions	(H) 120 mm × (W) 120 mm × (D) 20 + 4.75 mm	
Weight	160 g	
Temperature/Humidity range	0 °C to 40 °C / 20 % to 80 % (no condensation) *Indoor use only.	
Power Source	DC16 V (supplied with indoor unit)	
Clock	Precision	± 30 seconds/month (at normal temperature 25 °C) *Adjust periodically.
	Holding time	24 hours (when fully charged) *Approx. 8 hours are required for full charge.
Number of connected indoor units	Up to 8 units	

## 4. List of Compatible Indoor Unit with CZ-RTC4A

Indoor unit which connects to CZ-RTC4 can be connected to CZ-RTC4A

S-22MU2E5BN	S-160MF3E5AN	S-22MZ1H4A	S-56MD1E5	S-71MP1E5	S-250PE3E5B	S-30PU1H5B	S-30PT3Q	S-18PU3ZA	S-50PU1H5
S-28MU2E5BN	S-22MF3E5AN	S-28MZ1H4A	S-73MD1E5	S-180ME3H5	S-180PE4R	S-36PU1H5B	S-34PT3Q	S-24PU3ZA	S-22PT1H5
S-36MU2E5BN	S-28MF3E5AN	S-36MZ1H4A	S-22ML1E5	S-224ME3H5	S-200PE4R	S-42PU1H5B	S-43PT3Q	S-3443PU3ZA	S-28PT1H5
S-45MU2E5BN	S-36MF3E5AN	S-45MZ1H4A	S-28ML1E5	S-280ME3H5	S-224PE4R	S-50PU1H5B	S-48PT3Q	CS-F18DB4E5	S-35PT1H5
S-56MU2E5BN	S-45MF3E5AN	S-56MZ1H4A	S-36ML1E5	S-3650PU3E	S-200PE4E	S-1821PU3H	S-3448PT3Q	CS-F24DB4E5	S-45PT1H5
S-60MU2E5BN	S-56MF3E5AN	S-60MZ1H4A	S-45ML1E5	S-6071PU3E	S-250PE4E	S-2430PU3H	S-18PU3QA	CS-F28DB4E5	S-55PT1H5
S-73MU2E5BN	S-60MF3E5AN	S-73MZ1H4A	S-56ML1E5	S-1014PU3E	S-19PU1H5C-1	S-3448PU3H	S-21PU3QA	CS-F34DB4E5	S-24PU2V6-6
S-90MU2E5BN	S-73MF3E5AN	S-36MT2E5A	S-73ML1E5	S-25PY3E	S-25PU1H5C-1	S-1821PF3H	S-24PU3QA	CS-F43DB4E5	S-34PU2V6-6
S-112MU2E5BN	S-90MF3E5AN	S-45MT2E5A	S-22MR1E5	S-36PY3E	S-30PU1H5C-1	S-2430PF3H	S-34PU3QA	CS-F50DB4E5	S-48PU2V6-6
S-140MU2E5BN	S-106MF3E5BN	S-56MT2E5A	S-28MR1E5	S-50PY3E	S-36PU1H5C-1	S-3448PF3H	S-43PU3QA	S-18PU2A5	S-34PT2V6-6
S-160MU2E5BN	S-140MF3E5BN	S-73MT2E5A	S-36MR1E5	S-60PY3E	S-42PU1H5C-1	S-1821PT3H	S-48PU3QA	S-21PU2A5	S-48PT2V6-6
S-15MY3E	S-160MF3E5BN	S-106MT2E5A	S-45MR1E5	S-3650PF3E	S-50PU1H5C-1	S-2430PT3H	S-3448PU3QA	S-24PU2A5	S-18PU2Q6
S-22MY3E	S-22MF3E5BN	S-140MT2E5A	S-56MR1E5	S-6071PF3E	S-55PU1H5C-1	S-3448PT3H	S-18PT3QA	S-30PU2A5	S-21PU2Q6
S-28MY3E	S-28MF3E5BN	S-106MK2E5A	S-71MR1E5	S-1014PF3E	S-1821PU3H-1	S-1821PU3HA	S-21PT3QA	S-34PU2A5	S-24PU2Q6
S-36MY3E	S-36MF3E5BN	S-22MK2E5A	S-106ME1E5	S-3650PT3E	S-2430PU3H-1	S-2430PU3HA	S-24PT3QA	S-43PU2A5	S-30PU2Q6
S-45MY3E	S-45MF3E5BN	S-28MK2E5A	S-140ME1E5	S-6071PT3E	S-3448PU3H-1	S-3448PU3HA	S-34PT3QA	S-48PU2A5	S-34PU2Q6
S-56MY3E	S-56MF3E5BN	S-36MK2E5A	S-224ME1E5	S-1014PT3E	S-1821PU3HA-1	S-18PU3Q	S-48PT3QA	S-18PT2A5	S-43PU2Q6
S-106MF2E5A8	S-60MF3E5BN	S-45MK2E5A	S-280ME1E5	S-3650PK3E	S-2430PU3HA-1	S-21PU3Q	S-3448PT3QA	S-21PT2A5	S-48PU2Q6
S-140MF2E5A8	S-73MF3E5BN	S-56MK2E5A	S-73ME1E5	S-6010PK3E	S-3448PU3HA-1	S-24PU3Q	S-3448PU3TA	S-24PT2A5	S-18PT2Q6
S-160MF2E5A8	S-90MF3E5BN	S-73MK2E5A	S-140MH1H5	S-100PK3R	S-18PU3HB	S-30PU3Q	S-24PU3TA	S-30PT2A5	S-21PT2Q6
S-22MF2E5A8	S-22MM1E5A	S-22MK2E5A-1	S-224MH1H5	S-60PE3R	S-2124PU3HB	S-34PU3Q	S-30PU3TA	S-34PT2A5	S-24PT2Q6
S-28MF2E5A8	S-28MM1E5A	S-28MK2E5A-1	S-280MH1H5	S-71PE3R	S-3448PU3HB	S-43PU3Q	S-3648PU3TA	S-43PT2A5	S-30PT2Q6
S-36MF2E5A8	S-36MM1E5A	S-36MK2E5A-1	S-180ME2E5	S-100PE3R	S-18PF3HB	S-48PU3Q	S-18PF3T	S-48PT2A5	S-34PT2Q6
S-45MF2E5A8	S-45MM1E5A	S-45MK2E5A-1	S-224ME2E5	S-125PE3R	S-2124PF3HB	S-3448PU3Q	S-24PF3T	S-18PU1H5	S-43PT2Q6
S-56MF2E5A8	S-56MM1E5A	S-56MK2E5A-1	S-280ME2E5	S-140PE3R	S-3448PF3HB	S-1821PF3Q	S-30PF3T	S-22PU1H5	S-48PT2Q6
S-60MF2E5A8	S-22MM1E5A-1	S-73MK2E5A-1	S-22MP1E5	S-160PE3R	S-1821PT3H-8	S-2430PF3Q	S-3648PF3T	S-25PU1H5	
S-73MF2E5A8	S-28MM1E5A-1	S-106MK2E5A-1	S-28MP1E5	S-180PE3R5B	S-2430PT3H-8	S-3448PF3Q	S-18PT3T	S-28PU1H5	
S-90MF2E5A8	S-36MM1E5A-1	S-28MD1E5	S-36MP1E5	S-200PE3R5B	S-3448PT3H-8	S-18PT3Q	S-24PT3T	S-30PU1H5	
S-106MF3E5AN	S-45MM1E5A-1	S-36MD1E5	S-45MP1E5	S-224PE3R5B	S-19PU1H5B	S-30PT3Q	S-30PT3T	S-40PU1H5	
S-140MF3E5AN	S-56MM1E5A-1	S-45MD1E5	S-56MP1E5	S-200PE3E5B	S-25PU1H5B	S-24PT3Q	S-3648PT3T	S-45PU1H5	

\*Please consult to authorize dealer for the connection with older generation of Indoor unit series.