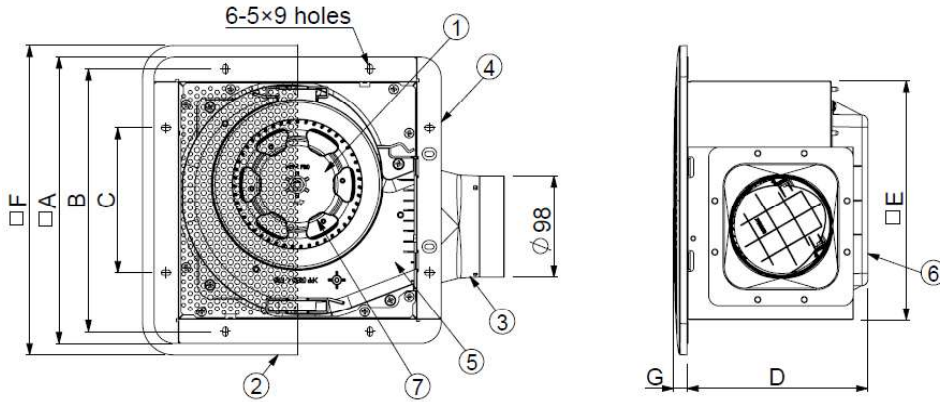


## ■ Main Dimensions



※The dimension have tolerance in actual assembly.

Unit: mm

A	B	C	D	E	F	G	Duct size
278	255	140	175	233	300	13	Φ100

## ■ Main Part List

No.	Part Name	Material
①	Blade	PP
②	Louver	PP
③	Adaptor assembly	Galvanized steel
④	Fan body	ZAM
⑤	Casing	PP
⑥	Wiring cover	PP
⑦	Motor	--

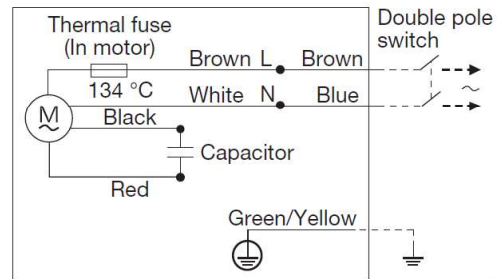
## ■ Specification

Rated Voltage	220V~ 50Hz
Air Volume (m <sup>3</sup> /h ±10%)	220
Power (W ±20%)	22.5
Max Static Pressure (Pa)	100
Noise ( dB (A) <sub>-7</sub> <sup>+3</sup> )	35.0
Net Weight (kg)	2.7
Motor Type	Capacitor Motor (Class B)
Insulation Resistance	More than 10MΩ
Electric Strength	Can withstand 1500V 1min
Ambient Temperature	-10° C ~ 50° C
IP Code	IPX2

### Notes:

- The value of power consumption, air volume and noise are specified at the static pressure of 0 Pa.
- The value of air volume is the mean value which is measured by our company.
- The value of noise level is measured at 1m apart from the left, the right and the directly below of product, then get the average of three values.
- The value of noise level is A weight average sound pressure level, the mean value is measured by our company.

## ■ Wiring Diagram

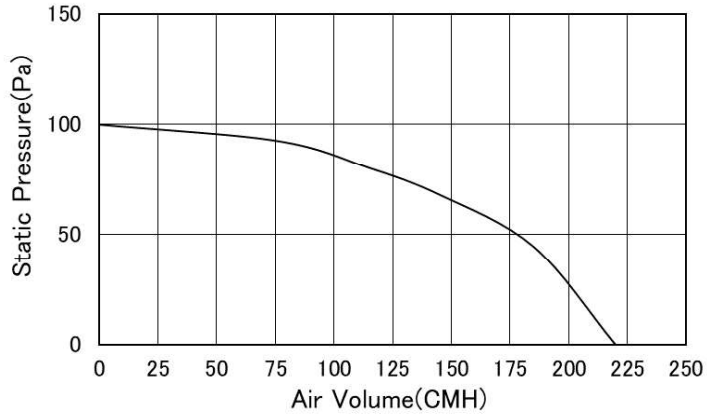


Revision	Content

Product		Model	
Ceiling Mount Ventilating Fan		FV-24CG9	
Make Date	2022.10.13	Scale	Drawing No. 24CG9SEA-V01
Modification Date		Free	Modification No.
Panasonic Electric Works Vietnam Co., Ltd.			

## ■ P-Q Curve

220V 50Hz



Product			Model	
Ceiling Mount Ventilating Fan			FV-24CG9	
Make Date	2022.10.13	Scale	Drawing No.	24CG9SEA-V01
Modification Date		Free	Modification No.	
Panasonic Electric Works Vietnam Co., Ltd.				