

VENTILATING FAN SPECIFICATION

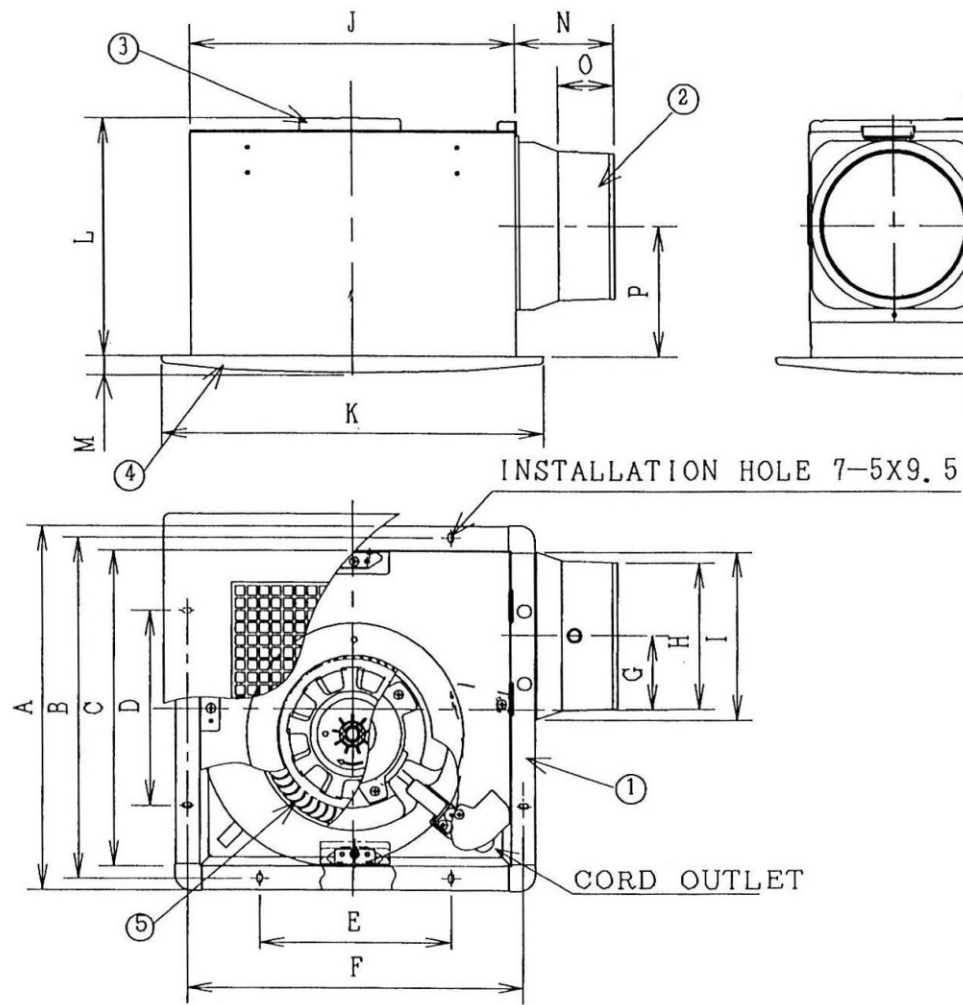
MODEL FV-38CD8

		110~127V 50 / 60Hz											
		[UA]											
		110V 50Hz		110V 60Hz		120V 50Hz		120V 60Hz		127V 50Hz		127V 60Hz	
		LOW	HIGH	LOW	HIGH	LOW	HIGH	LOW	HIGH	LOW	HIGH	LOW	HIGH
AIR VOLUME	CMH±10%	390	590	370	590	430	650	415	640	475	690	450	670
POWER CONSUMPTION	W±15%	53.0	75.0	53.0	86.0	63.0	88.5	63.0	102.0	70.0	98.5	71.0	113.0
CURRENT	A±15%	0.528	0.687	0.590	0.800	0.573	0.742	0.641	0.870	0.604	0.780	0.679	0.920
SPEED	R/M±10%	430	590	419	590	458	650	445	641	483	681	466	676
NOISE	dB(A)	34.0	42.5	33.5	42.5	35.0	45.0	34.5	44.0	36.5	46.0	35.5	46.0

		220~240V 50 / 60Hz									
		[NA]									
		220V 50Hz		220V 60Hz		230V 50Hz		230V 60Hz		240V 50Hz	
		LOW	HIGH	LOW	HIGH	LOW	HIGH	LOW	HIGH	LOW	HIGH
AIR VOLUME	CMH±10%	430	640	410	630	440	675	430	665	470	700
POWER CONSUMPTION	W±15%	66.0	90.0	66.4	98.0	72.0	96.0	72.6	107.0	78.0	104.0
CURRENT	A±15%	0.322	0.413	0.350	0.455	0.335	0.425	0.365	0.475	0.348	0.438
SPEED	R/M±10%	456	645	439	628	480	670	458	657	495	699
NOISE	dB(A)	35.0	44.0	34.5	43.5	36.0	46.0	35.5	45.0	37.0	47.0

AT 0 mmW.G. STATIC PRESSURE

1. POWER RATING ----- 1 PHASE AC 110 - 127 50 / 60Hz
1 PHASE AC 220 - 240 50Hz , AC 220 - 230 60Hz
2. MOTOR TYPE ----- CAPACITOR START AND RUN INDUCTION MOTOR, CLASS E, 4 POLE
3. BLADE TYPE ----- CENTRIFUGAL FAN (SIROCCO TYPE)
4. AMBIENT TEMPERATURE ----- - 10 deg. C° UP TO 50 deg. C°
5. INSULATION RESISTANCE ----- MORE THAN 1 meg ohm
6. ELECTRIC STRENGTH ----- AC 1500V 1 MINUTE
7. WEIGHT ----- 9.7 KG
8. DIMENSION ----- SEE ATTACHED DRAWING



NO.	PART NAME	MATERIAL & SURFACE FINISH
1	FRAME	PAINTED GALVANIZED STEEL (0.6t)
2	ADAPTER	GALVANIZED STEEL (0.6t)
3	MOTOR HOUSING	GALVANIZED STEEL (0.8t)
4	LOUVER	ACRYLONITRILE BUTADIENE STYRENE
5	BLADE	POLYPROPYLENE

DIMENSION : mm

FV-38CD8	A	B	C	D	E	F	G	H
	□ 422	399	□ 375	255	255	374	72.3	∅ 142
	I	J	K	L	M	N	O	P
	∅ 158	□ 376	□ 450	250	23.5	108	55	127

Fan Performance Curve

Model: FV-38CD8

220V NA

