

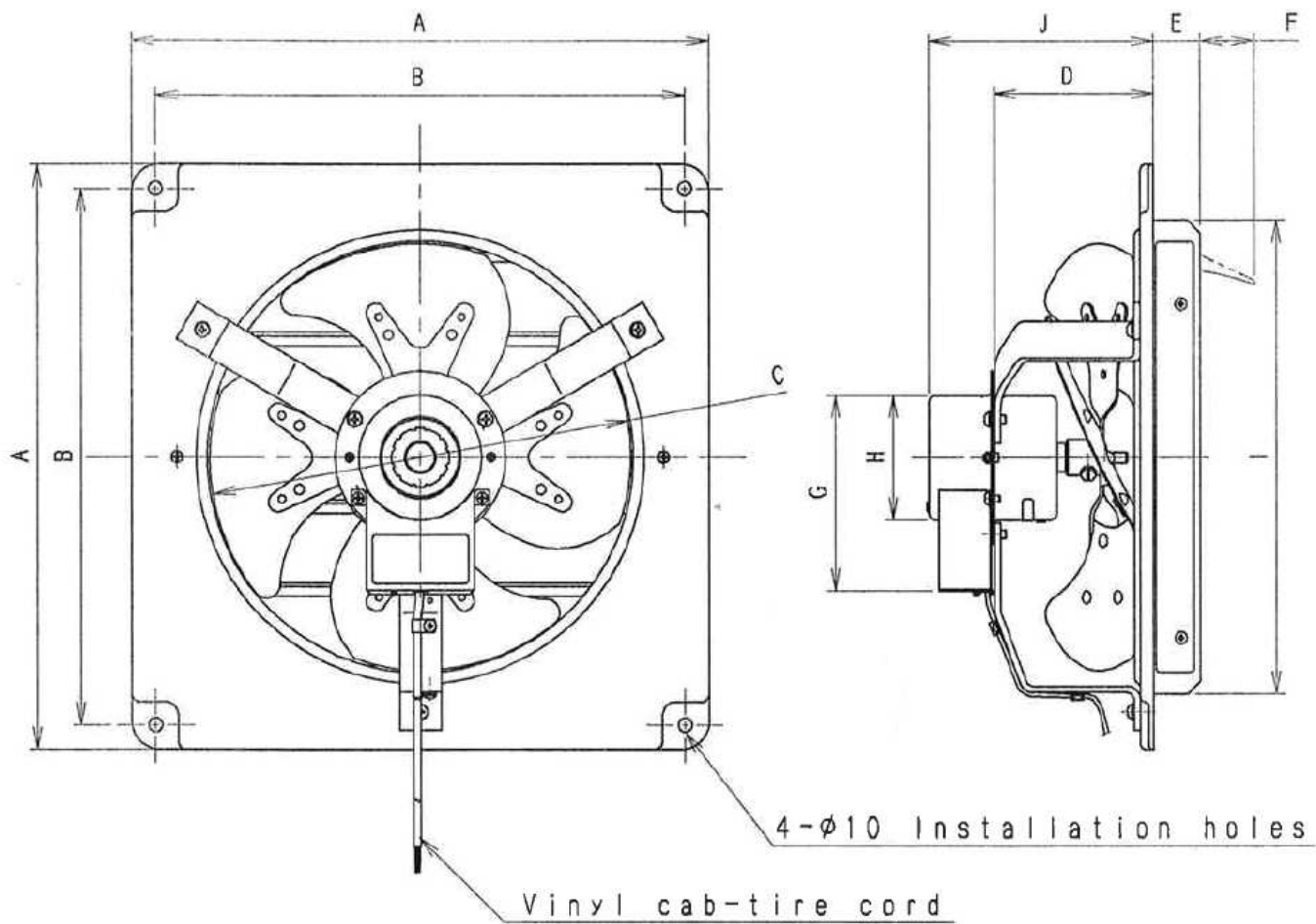
Ventilating Fan Specifications

Model FV-40KUT

		110V		120V		127V		220V		230V		240V
		50Hz	60Hz	50Hz	60Hz	50Hz	60Hz	50Hz	60Hz	50Hz	60Hz	50Hz
Air Volume	CMH \pm 10%	2,000	2,040	2,080	2,270	2,120	2,300	2,060	2,190	2,100	2,260	2,110
Power Consumption	W \pm 15%	54	66	59	75	65	82	61	76	64	80	68
Current	A \pm 15%	0.54	0.63	0.55	0.65	0.57	0.67	0.29	0.35	0.30	0.35	0.31
Speed	R/M \pm 10%	1,140	1,190	1,210	1,290	1,220	1,320	1,170	1,260	1,200	1,300	1,220
Noise	'dB	47.5	48	49.5	52	51	53.5	49	51	50	52.5	50.5

at 0mmAq. Static pressure.

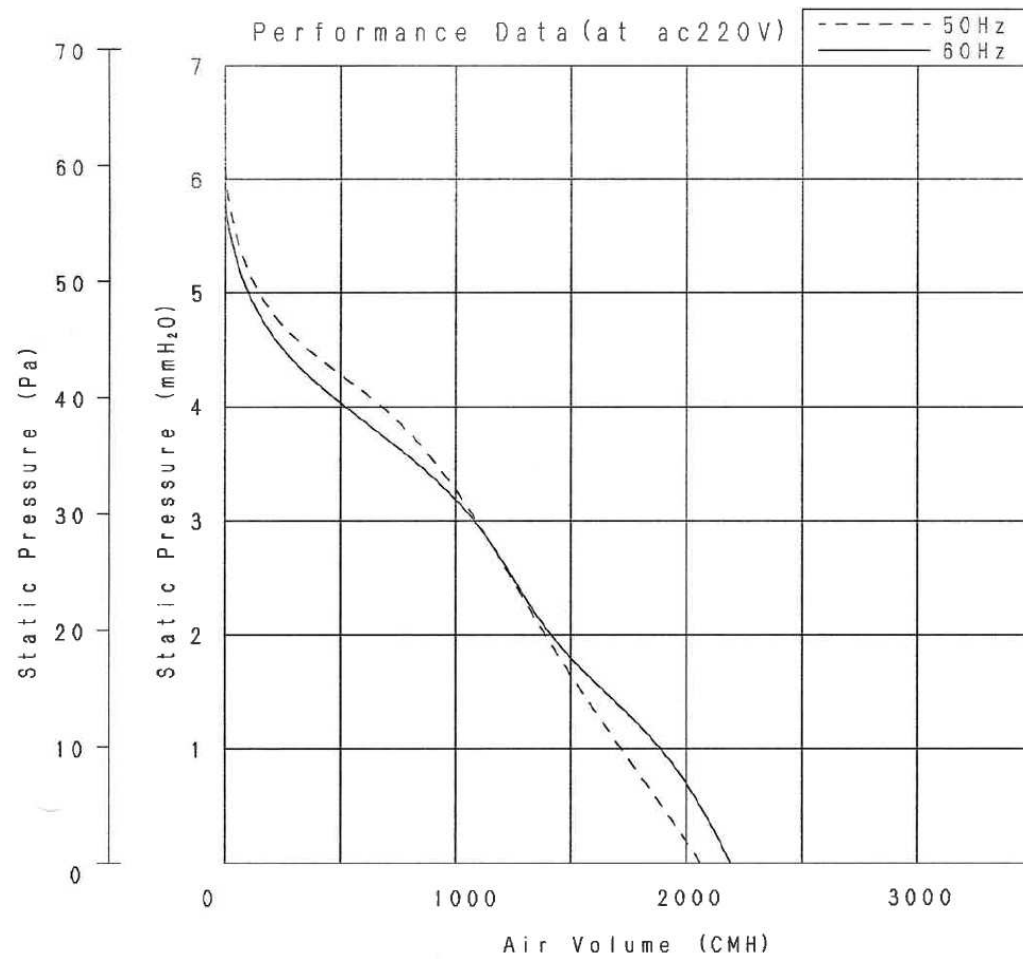
- | | |
|--------------------------------|--|
| 1. Power Rating ----- | 1 PASE AC 110-127V 50/60Hz
1 PASE AC 220-240V 50Hz. AC 220V-230V 60Hz |
| 2. Motor Type ----- | Capacitor start and run induction motor. Class E. 4 Poles |
| 3. Blade Type ----- | Propeller fan |
| 4. Ambient temperature ----- | - 10 to 50 deg.C |
| 5. Insulation Resistance ----- | More than 1 meg ohm |
| 6. Electric Strength ----- | AC 1500V 1 minute |
| 7. Weight ----- | 6.4 Kg |
| 8. Color ----- | White |



Dimensions :mm

Model : FV-40KUT

A	B	C	D	E	F	G	H	I	J
510	480	410 dia.	133	40	52	141	90 dia.	434 sq.	181



Model : FV-40KUT