

Panasonic

Ventilating Fan Hood Series



FV-10EGK2
FV-15EGK2

Moisture & Smell Exhauster



Rain Penetration
Protection



Energy Saving



Easy Installation

Speedy Odour Exhaustion



Foul smell can be quite noticeable after using the toilet. This unpleasant odour can stay without good ventilation. Panasonic ventilating fan can exhaust smelly air to resume a fresh comfortable room.

Hood Series



- Low noise level
- Low energy consumption
- Pipe hood equipped
- Protection from rain penetration
- Safety / Thermal Fuse

Compact & Stylish



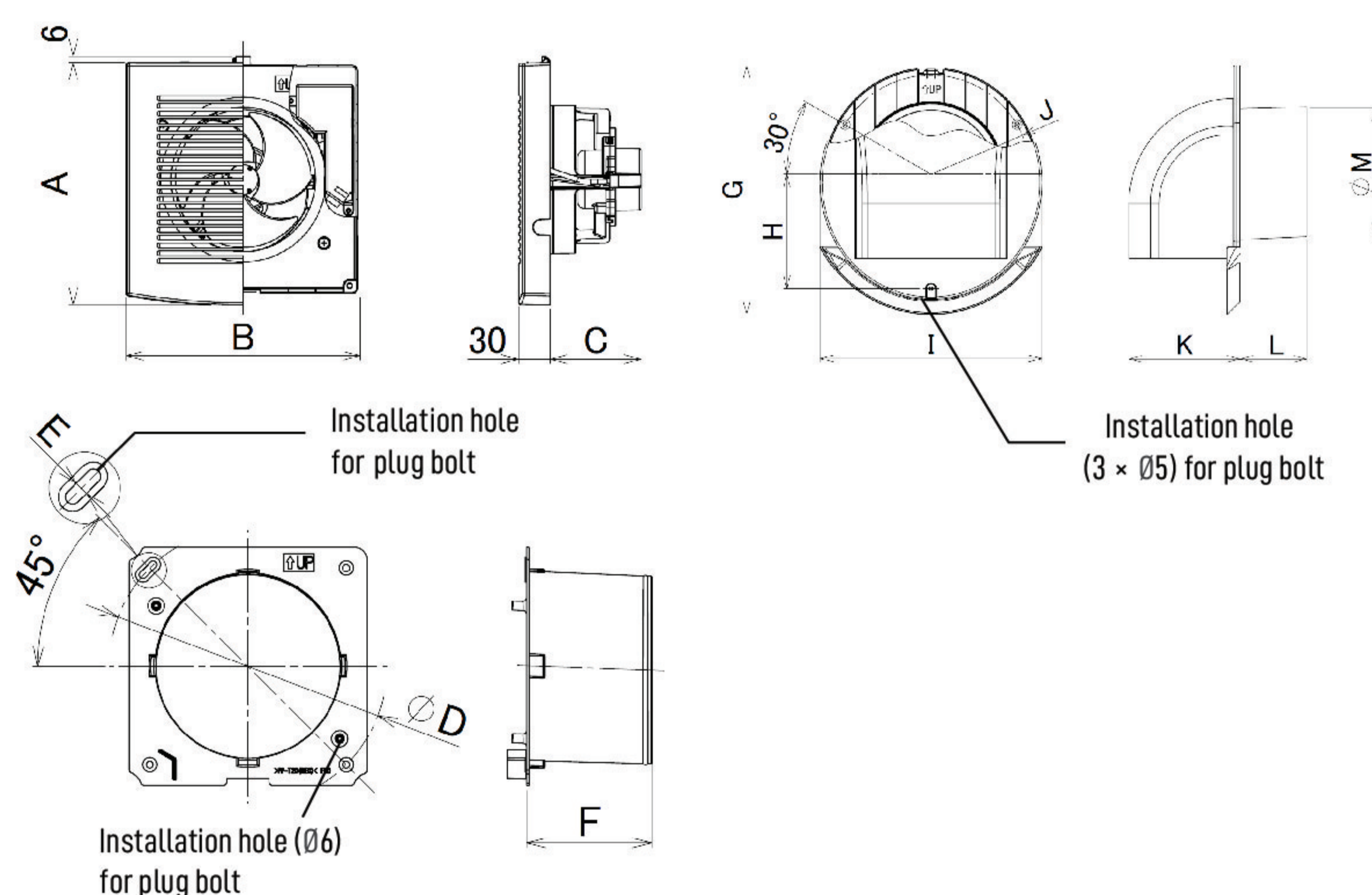
All accessories included

Excess Moisture Removal



Excess moisture in your bathroom creates conditions for molds to grow. This may deteriorate the room interior and cause potential threats to health. Panasonic ventilating fan can remove moist air to prevent these potential risks.

Dimension (Unit : mm)



Model	A	B	C	D	E	F	G	H	I	J	K	L	M
FV-10EGK2	176	170	83	177	6	100	250	107	220	99	99	82	118
FV-15EGK2	230	220	86	231	6	100	310	142	270	123	138	82	161

Specification

Model	Voltage [V]	Frequency [Hz]	Air Volume [CMH]	Consumption [W]	Noise [dB(A)]	Speed [RPM]	Wall Installation		Ceiling Installation	Net Weight [kg]
							Hole Size [mm]	Wall Thickness [mm]	Hole size [mm]	
FV-10EGK2	220	50	76	4.3	33.0	2,660	Ø130~140	100~150	Ø130~140	1.0
	240	50	77	5.0	33.0	2,690				
FV-15EGK2	220	50	162	5.7	36.0	2,265	Ø175~185	100~150	Ø175~185	1.3
	240	50	165	6.5	37.0	2,390				

- Notes:
- 1.The value of power consumption, air volume and noise are specified at the static pressure of 0 Pa.
 - 2.The value of air volume is the mean value which is measured by our company.
 - 3.The value of noise level is measured at 1m apart from the left, the right and the directly below of product, then get the average of three values.
 - 4.The value of noise level is A weight average sound pressure level, the mean value is measured by our company.

Panasonic[®]

Panasonic Ecology Systems Co., Ltd.
<http://www.peshk.panasonic.hk>

- Actual colors may vary slightly from shown.
 - Specifications are subject to change without prior notice.

CATALOG NO: P-VF026

01.2024