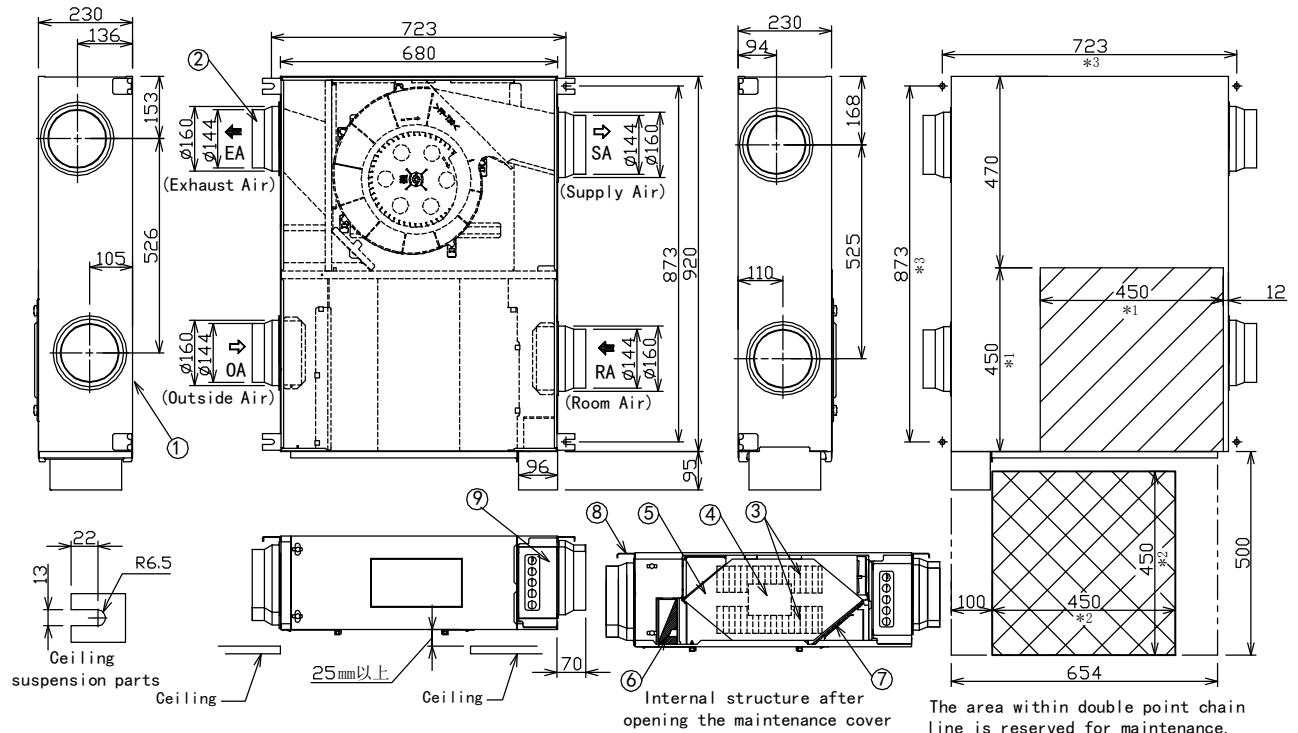


UNIT: mm

■ Maintenance Dimension

It must be set the maintenance cover, and clean the filter and heat exchange core as specified in instruction.

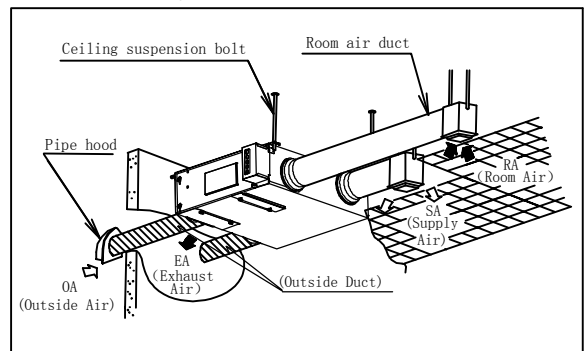


The area within double point chain line is reserved for maintenance, it's prohibited to place other devices.

- *1. Dimension of filter maintenance cover.
- *2. Dimension of maintenance cover.
- *3. Suspension point dimension

| NO. | Paet name | Q' ty | Material | Remarks |
|-----|--------------------|-------|------------------------|---------|
| 1 | Frame | 1 | Galvanized steel sheet | |
| 2 | Adapter | 4 | ABS | |
| 3 | Impeller | 2 | PP | |
| 4 | Fan motor | 1 | | |
| 5 | Heat exchange core | 1 | Special paper+resin | |
| 6 | Outdoor filter | 1 | Nonwoven Fabric | |
| 7 | Indoor filter | 1 | | |
| 8 | Ceiling suspension | 4 | Galvanized steel sheet | |
| 9 | Switch box | 1 | Galvanized steel sheet | |

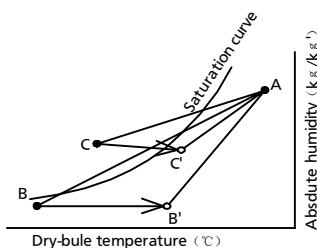
■ Installation diagram



1. Duct size (Nominal Diameter): $\varnothing 150$.
2. The above dimensions do not include the thickness of the insulation material in the unit.

■ Be careful of dew and frost

1. The two outside ducts must be insulated to prevent condensation. (Material :Class wool.Thickness:25mm)
2. Outside air may come into the room in cold area and place where outside air speed is high .
3. In order to prevent the water from ingessing, install the two outside ducts inclined to outside .
4. As shown in the Figure,suppose a high temperature absorbing air condition A and a low temperature absorbing air condition B are plotted on the air line figure ,then a high temperature air A is heat-exchanged by the unit and gose out of the saturation curve as shown by point C .In this case ,the unit will be dewed or frosted. To aboid this,you are required to heat a low temperature air B up to B' so as to get C' below the saturation curve ,before using the unit.



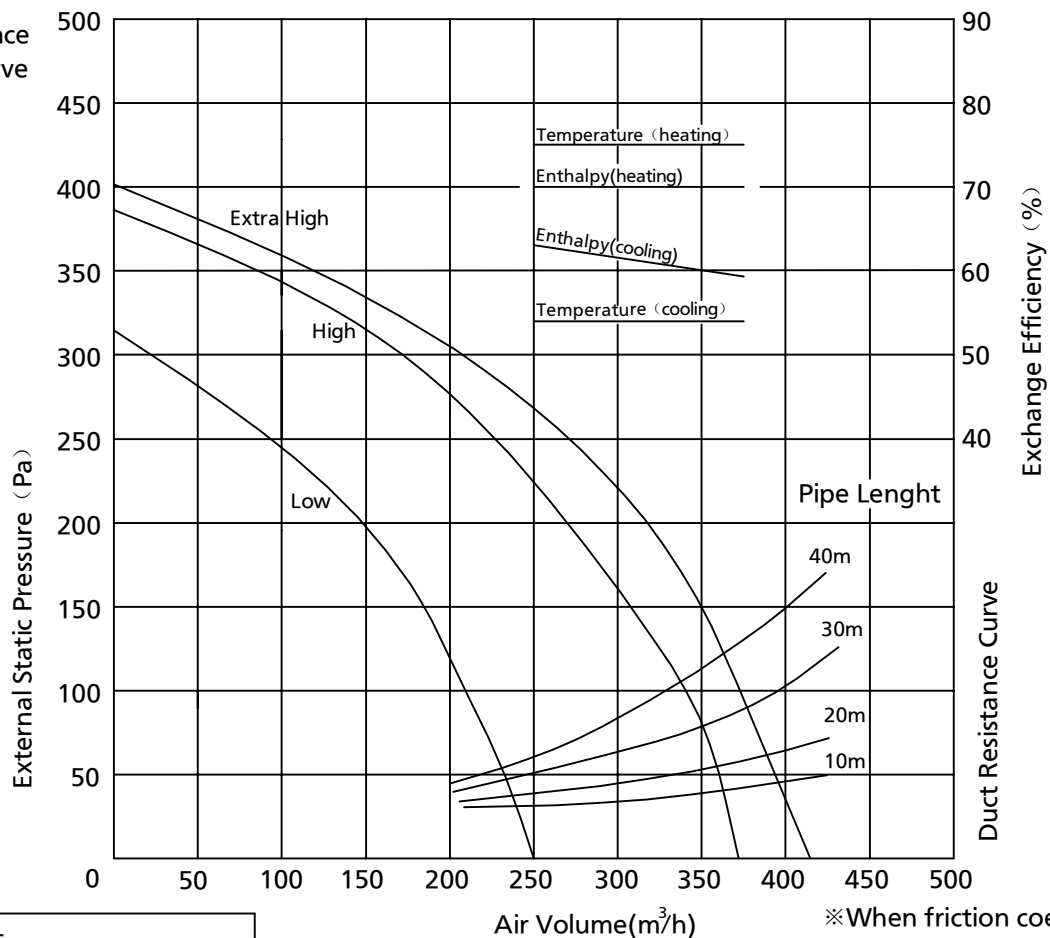
| Name | | Model No. | |
|---|------------|-----------|-----------------------|
| Energy Recovery Ventilator | | FY-E35DZ1 | |
| Date of Made | 2015.03.13 | Scale | Drawing Reference No. |
| Date of Revision | | Free | Consale Drawing |
| Panasonic Ecology Systems Guangdong Co.,Ltd.,Beijing Branch | | | |
| | | | Rev.No. |

■ Specification

| power Source | Notch | Heat Exchange Ventilation | | | | | | | | Noise [dB(A)] | Product Weight [kg] |
|--------------|------------|---------------------------|-------------|--------------------------------|-------------------------------|-------------------------------------|---------|----------------------------------|---------|---------------|---------------------|
| | | Input [W] | Current [A] | Air Volume (m ³ /h) | External Static Pressure [Pa] | Temperature Exchange Efficiency [%] | | Enthalpy Exchange Efficiency [%] | | | |
| | | | | | | Cooling | Heating | Cooling | Heating | | |
| 220V ~ 50Hz | Extra High | 225 | 1.02 | 350 | 150 | 54 | 75 | 60 | 70 | 36 | 39 |
| | High | 209 | 0.95 | 350 | 85 | 54 | 75 | 60 | 70 | 36 | |
| | Low | 150 | 0.68 | 250 | 0 | 54 | 75 | 63 | 70 | 30 | |

- The input power, the current and the exchange efficiency are measured at the standard air volume.
- The noise is measured 1.5m away from the underface of the unit.
The noise value measured at the total acoustic room is more than the indicated value in actual operation because it's affected by environment.
- The above parameters are tested according to standard JIS B 8628.

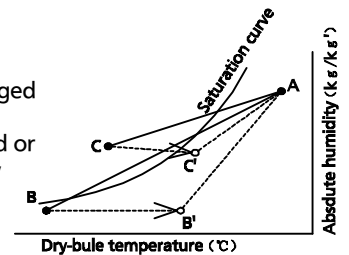
■ Performance P-Q Curve



Use conditions

Outdoor air range
 Temperature range -10℃ ~40℃.
 Relative humidity 85% or less.
 Indoor air range
 Temperature range -10℃ ~40℃.
 Relative humidity 85% or less.
 Installation requirements
 Same as the indoor air conditions
 *Indoor air here means air in air-conditioned living rooms.
 Its use in refrigerators or other places where temperature can fluctuate greatly is prohibited even if a temperature range is acceptable.
Example Indoor air conditions
 During cooling period
 Temperature 27℃
 Relative humidity 50%
 During heating period
 Temperature 20℃
 Relative humidity 40%

As shown in the Figure, suppose a high temperature absorbing air condition A and a low temperature absorbing air condition B are plotted on the air line figure, then a high temperature air A is heat-exchanged by the unit and goes out of the saturation curve as shown by point C. In this case, the unit will be dewed or frosted. To avoid this, you are required to heat a low temperature air B up to B' so as to get C' below the saturation curve, before using the unit.



| | | | | | |
|---|------------|-------|---------------|-----------|--|
| Name | | | | Model No. | |
| Energy Recovery Ventilator | | | | FY-E35DZ1 | |
| Date of Made | 2015.03.13 | Scale | Drawing | Rev.No. | |
| Date of Revision | | Free | Reference No. | | |
| Panasonic Ecology Systems Guangdong Co.,Ltd.,Beijing Branch | | | | | |