

2-WAY FSV-EX ME2 Series High Efficiency Combination Model

HP	8		10		12		14		16																								
	U-8ME2H7	U-10ME2H7	U-12ME2H7	U-14ME2H7	U-16ME2H7	U-18ME2H7HE	U-20ME2H7HE	U-22ME2H7	U-24ME2H7	U-26ME2H7																							
Model name																																	
Power supply	380/400/415V/3-phase/50Hz 380/400V/3-phase/60Hz																																
Capacity	Cooling	<table border="1"> <tr><td>kW</td><td>22.4</td><td>28.0</td><td>33.5</td><td>40.0</td><td>45.0</td><td>50.0</td><td>56.0</td><td>61.5</td><td>68.0</td><td>73.0</td></tr> <tr><td>BTU/h</td><td>76,500</td><td>95,600</td><td>114,300</td><td>136,500</td><td>153,600</td><td>170,600</td><td>191,100</td><td>209,900</td><td>232,100</td><td>249,100</td></tr> </table>										kW	22.4	28.0	33.5	40.0	45.0	50.0	56.0	61.5	68.0	73.0	BTU/h	76,500	95,600	114,300	136,500	153,600	170,600	191,100	209,900	232,100	249,100
		kW	22.4	28.0	33.5	40.0	45.0	50.0	56.0	61.5	68.0	73.0																					
BTU/h	76,500	95,600	114,300	136,500	153,600	170,600	191,100	209,900	232,100	249,100																							
EER / COP	Cooling	<table border="1"> <tr><td>W/W</td><td>5.30</td><td>5.03</td><td>4.73</td><td>4.56</td><td>4.13</td><td>5.15</td><td>5.05</td><td>4.84</td><td>4.69</td><td>4.42</td></tr> <tr><td>W/W</td><td>5.84</td><td>5.56</td><td>5.38</td><td>5.29</td><td>5.13</td><td>5.71</td><td>5.58</td><td>5.48</td><td>5.31</td><td>5.29</td></tr> </table>										W/W	5.30	5.03	4.73	4.56	4.13	5.15	5.05	4.84	4.69	4.42	W/W	5.84	5.56	5.38	5.29	5.13	5.71	5.58	5.48	5.31	5.29
		W/W	5.30	5.03	4.73	4.56	4.13	5.15	5.05	4.84	4.69	4.42																					
W/W	5.84	5.56	5.38	5.29	5.13	5.71	5.58	5.48	5.31	5.29																							
Dimensions	H x W x D	<table border="1"> <tr><td>mm</td><td>1,842 x 770 x 1,000</td><td>1,842 x 770 x 1,000</td><td>1,842 x 1,180 x 1,000</td><td>1,842 x 1,180 x 1,000</td><td>1,842 x 1,180 x 1,000</td><td>1,842 x 1,600 x 1,000</td><td>1,842 x 1,600 x 1,000</td><td>1,842 x 2,010 x 1,000</td><td>1,842 x 2,420 x 1,000</td><td>1,842 x 2,010 x 1,000</td></tr> </table>										mm	1,842 x 770 x 1,000	1,842 x 770 x 1,000	1,842 x 1,180 x 1,000	1,842 x 1,180 x 1,000	1,842 x 1,180 x 1,000	1,842 x 1,600 x 1,000	1,842 x 1,600 x 1,000	1,842 x 2,010 x 1,000	1,842 x 2,420 x 1,000	1,842 x 2,010 x 1,000											
		mm	1,842 x 770 x 1,000	1,842 x 770 x 1,000	1,842 x 1,180 x 1,000	1,842 x 1,180 x 1,000	1,842 x 1,180 x 1,000	1,842 x 1,600 x 1,000	1,842 x 1,600 x 1,000	1,842 x 2,010 x 1,000	1,842 x 2,420 x 1,000	1,842 x 2,010 x 1,000																					
Electrical ratings	Cooling	<table border="1"> <tr><td>Running current A</td><td>7.14 / 6.78 / 6.54</td><td>9.62 / 9.14 / 8.81</td><td>11.8 / 11.2 / 10.8</td><td>15.3 / 14.5 / 14.0</td><td>18.4 / 17.5 / 16.8</td><td>16.6 / 15.7 / 15.2</td><td>19.2 / 18.2 / 17.5</td><td>21.4 / 20.4 / 19.6</td><td>24.2 / 23.0 / 22.2</td><td>28.2 / 26.8 / 25.8</td></tr> <tr><td>Power input kW</td><td>4.23</td><td>5.57</td><td>7.08</td><td>8.77</td><td>10.9</td><td>9.70</td><td>11.1</td><td>12.7</td><td>14.5</td><td>16.5</td></tr> </table>										Running current A	7.14 / 6.78 / 6.54	9.62 / 9.14 / 8.81	11.8 / 11.2 / 10.8	15.3 / 14.5 / 14.0	18.4 / 17.5 / 16.8	16.6 / 15.7 / 15.2	19.2 / 18.2 / 17.5	21.4 / 20.4 / 19.6	24.2 / 23.0 / 22.2	28.2 / 26.8 / 25.8	Power input kW	4.23	5.57	7.08	8.77	10.9	9.70	11.1	12.7	14.5	16.5
		Running current A	7.14 / 6.78 / 6.54	9.62 / 9.14 / 8.81	11.8 / 11.2 / 10.8	15.3 / 14.5 / 14.0	18.4 / 17.5 / 16.8	16.6 / 15.7 / 15.2	19.2 / 18.2 / 17.5	21.4 / 20.4 / 19.6	24.2 / 23.0 / 22.2	28.2 / 26.8 / 25.8																					
Power input kW	4.23	5.57	7.08	8.77	10.9	9.70	11.1	12.7	14.5	16.5																							
Starting current	A	<table border="1"> <tr><td>1</td><td>1</td><td>1</td><td>2</td><td>2</td><td>2</td><td>2</td><td>2</td><td>2</td><td>2</td><td>3</td></tr> </table>										1	1	1	2	2	2	2	2	2	2	3											
		1	1	1	2	2	2	2	2	2	2	3																					
Air flow rate	m³/h	<table border="1"> <tr><td>13,440</td><td>13,440</td><td>13,920</td><td>13,920</td><td>13,920</td><td>26,880</td><td>26,880</td><td>27,360</td><td>27,840</td><td>27,840</td><td>27,360</td></tr> <tr><td>L/s</td><td>3,733</td><td>3,733</td><td>3,867</td><td>3,867</td><td>3,867</td><td>7,467</td><td>7,467</td><td>7,600</td><td>7,733</td><td>7,600</td></tr> </table>										13,440	13,440	13,920	13,920	13,920	26,880	26,880	27,360	27,840	27,840	27,360	L/s	3,733	3,733	3,867	3,867	3,867	7,467	7,467	7,600	7,733	7,600
		13,440	13,440	13,920	13,920	13,920	26,880	26,880	27,360	27,840	27,840	27,360																					
L/s	3,733	3,733	3,867	3,867	3,867	7,467	7,467	7,600	7,733	7,600																							
Refrigerant amount at shipment	kg	<table border="1"> <tr><td>5.6</td><td>5.6</td><td>8.3</td><td>8.3</td><td>8.3</td><td>11.2</td><td>11.2</td><td>13.9</td><td>16.6</td><td>13.9</td><td>16.6</td></tr> </table>										5.6	5.6	8.3	8.3	8.3	11.2	11.2	13.9	16.6	13.9	16.6											
		5.6	5.6	8.3	8.3	8.3	11.2	11.2	13.9	16.6	13.9	16.6																					
External static pressure	Pa	<table border="1"> <tr><td>80</td><td>80</td><td>80</td><td>80</td><td>80</td><td>80</td><td>80</td><td>80</td><td>80</td><td>80</td><td>80</td></tr> </table>										80	80	80	80	80	80	80	80	80	80	80											
		80	80	80	80	80	80	80	80	80	80	80																					
Piping connections	Gas pipe	<table border="1"> <tr><td>mm (inches)</td><td>Ø19.05 (Ø3/4)</td><td>Ø22.22 (Ø7/8)</td><td>Ø25.40 (Ø1)</td><td>Ø25.40 (Ø1)</td><td>Ø28.58 (Ø1-1/8)</td><td>Ø28.58 (Ø1-1/8)</td><td>Ø28.58 (Ø1-1/8)</td><td>Ø28.58 (Ø1-1/8)</td><td>Ø31.75 (Ø1-1/4)</td><td>Ø31.75 (Ø1-1/4)</td></tr> </table>										mm (inches)	Ø19.05 (Ø3/4)	Ø22.22 (Ø7/8)	Ø25.40 (Ø1)	Ø25.40 (Ø1)	Ø28.58 (Ø1-1/8)	Ø28.58 (Ø1-1/8)	Ø28.58 (Ø1-1/8)	Ø28.58 (Ø1-1/8)	Ø31.75 (Ø1-1/4)	Ø31.75 (Ø1-1/4)											
	mm (inches)	Ø19.05 (Ø3/4)	Ø22.22 (Ø7/8)	Ø25.40 (Ø1)	Ø25.40 (Ø1)	Ø28.58 (Ø1-1/8)	Ø28.58 (Ø1-1/8)	Ø28.58 (Ø1-1/8)	Ø28.58 (Ø1-1/8)	Ø31.75 (Ø1-1/4)	Ø31.75 (Ø1-1/4)																						
	Liquid pipe	<table border="1"> <tr><td>mm (inches)</td><td>Ø9.52 (Ø3/8)</td><td>Ø9.52 (Ø3/8)</td><td>Ø12.70 (Ø1/2)</td><td>Ø12.70 (Ø1/2)</td><td>Ø12.70 (Ø1/2)</td><td>Ø15.88 (Ø5/8)</td><td>Ø15.88 (Ø5/8)</td><td>Ø15.88 (Ø5/8)</td><td>Ø15.88 (Ø5/8)</td><td>Ø19.05 (Ø3/4)</td></tr> </table>										mm (inches)	Ø9.52 (Ø3/8)	Ø9.52 (Ø3/8)	Ø12.70 (Ø1/2)	Ø12.70 (Ø1/2)	Ø12.70 (Ø1/2)	Ø15.88 (Ø5/8)	Ø15.88 (Ø5/8)	Ø15.88 (Ø5/8)	Ø15.88 (Ø5/8)	Ø19.05 (Ø3/4)											
mm (inches)	Ø9.52 (Ø3/8)	Ø9.52 (Ø3/8)	Ø12.70 (Ø1/2)	Ø12.70 (Ø1/2)	Ø12.70 (Ø1/2)	Ø15.88 (Ø5/8)	Ø15.88 (Ø5/8)	Ø15.88 (Ø5/8)	Ø15.88 (Ø5/8)	Ø19.05 (Ø3/4)																							
Balance pipe	<table border="1"> <tr><td>mm (inches)</td><td>Ø6.35 (Ø1/4)</td><td>Ø6.35 (Ø1/4)</td><td>Ø6.35 (Ø1/4)</td><td>Ø6.35 (Ø1/4)</td><td>Ø6.35 (Ø1/4)</td><td>Ø6.35 (Ø1/4)</td><td>Ø6.35 (Ø1/4)</td><td>Ø6.35 (Ø1/4)</td><td>Ø6.35 (Ø1/4)</td><td>Ø6.35 (Ø1/4)</td></tr> </table>										mm (inches)	Ø6.35 (Ø1/4)	Ø6.35 (Ø1/4)	Ø6.35 (Ø1/4)	Ø6.35 (Ø1/4)	Ø6.35 (Ø1/4)	Ø6.35 (Ø1/4)	Ø6.35 (Ø1/4)	Ø6.35 (Ø1/4)	Ø6.35 (Ø1/4)	Ø6.35 (Ø1/4)												
mm (inches)	Ø6.35 (Ø1/4)	Ø6.35 (Ø1/4)	Ø6.35 (Ø1/4)	Ø6.35 (Ø1/4)	Ø6.35 (Ø1/4)	Ø6.35 (Ø1/4)	Ø6.35 (Ø1/4)	Ø6.35 (Ø1/4)	Ø6.35 (Ø1/4)	Ø6.35 (Ø1/4)																							
Ambient temperature operating range	Cooling: -10°C (DB)~ +52°C (DB); Heating: -25°C (WB)~ +18°C (WB)																																
Sound pressure level	Normal mode	<table border="1"> <tr><td>dB (A)</td><td>53.0</td><td>56.0</td><td>57.0</td><td>58.0</td><td>61.0</td><td>58.0</td><td>59.0</td><td>59.5</td><td>60.0</td><td>62.5</td></tr> <tr><td>dB (A)</td><td>48.0</td><td>51.0</td><td>52.0</td><td>53.0</td><td>56.0</td><td>53.0</td><td>54.0</td><td>54.5</td><td>55.0</td><td>57.5</td></tr> </table>										dB (A)	53.0	56.0	57.0	58.0	61.0	58.0	59.0	59.5	60.0	62.5	dB (A)	48.0	51.0	52.0	53.0	56.0	53.0	54.0	54.5	55.0	57.5
		dB (A)	53.0	56.0	57.0	58.0	61.0	58.0	59.0	59.5	60.0	62.5																					
dB (A)	48.0	51.0	52.0	53.0	56.0	53.0	54.0	54.5	55.0	57.5																							
Sound power level	Normal mode	<table border="1"> <tr><td>dB</td><td>74.0</td><td>77.0</td><td>78.0</td><td>79.0</td><td>82.0</td><td>79.0</td><td>80.0</td><td>80.5</td><td>81.0</td><td>83.5</td></tr> </table>										dB	74.0	77.0	78.0	79.0	82.0	79.0	80.0	80.5	81.0	83.5											
		dB	74.0	77.0	78.0	79.0	82.0	79.0	80.0	80.5	81.0	83.5																					

HP	56		58		60		62		64														
	U-56ME2H7HE	U-58ME2H7HE	U-60ME2H7HE	U-62ME2H7	U-64ME2H7	U-56ME2H7	U-58ME2H7	U-60ME2H7	U-62ME2H7	U-64ME2H7													
Model name																							
Power supply	380/400/415V/3-phase/50Hz 380/400/3-phase/60Hz																						
Capacity	Cooling	<table border="1"> <tr><td>kW</td><td>156.0</td><td>162.0</td><td>168.0</td><td>174.0</td><td>180.0</td></tr> <tr><td>BTU/h</td><td>532,400</td><td>552,900</td><td>573,400</td><td>593,900</td><td>614,300</td></tr> </table>										kW	156.0	162.0	168.0	174.0	180.0	BTU/h	532,400	552,900	573,400	593,900	614,300
		kW	156.0	162.0	168.0	174.0	180.0																
BTU/h	532,400	552,900	573,400	593,900	614,300																		
EER / COP	Cooling	<table border="1"> <tr><td>W/W</td><td>4.38</td><td>4.27</td><td>4.24</td><td>4.23</td><td>4.13</td></tr> <tr><td>W/W</td><td>5.24</td><td>5.19</td><td>5.15</td><td>5.16</td><td>5.11</td></tr> </table>										W/W	4.38	4.27	4.24	4.23	4.13	W/W	5.24	5.19	5.15	5.16	5.11
		W/W	4.38	4.27	4.24	4.23	4.13																
W/W	5.24	5.19	5.15	5.16	5.11																		
Dimensions	H x W x D	<table border="1"> <tr><td>mm</td><td>1,842 x 4,900 x 1,000</td><td>1,842 x 4,490 x 1,000</td><td>1,842 x 4,900 x 1,000</td><td>1,842 x 4,900 x 1,000</td><td>1,842 x 4,900 x 1,000</td></tr> </table>										mm	1,842 x 4,900 x 1,000	1,842 x 4,490 x 1,000	1,842 x 4,900 x 1,000	1,842 x 4,900 x 1,000	1,842 x 4,900 x 1,000						
		mm	1,842 x 4,900 x 1,000	1,842 x 4,490 x 1,000	1,842 x 4,900 x 1,000	1,842 x 4,900 x 1,000	1,842 x 4,900 x 1,000																
Electrical ratings	Cooling	<table border="1"> <tr><td>Running current A</td><td>60.1 / 57.1 / 55.0</td><td>64.0 / 60.8 / 58.6</td><td>66.9 / 63.5 / 61.2</td><td>70.2 / 66.7 / 64.2</td><td>73.6 / 69.9 / 67.4</td></tr> <tr><td>Power input kW</td><td>35.6</td><td>37.9</td><td>39.6</td><td>41.1</td><td>43.6</td></tr> </table>										Running current A	60.1 / 57.1 / 55.0	64.0 / 60.8 / 58.6	66.9 / 63.5 / 61.2	70.2 / 66.7 / 64.2	73.6 / 69.9 / 67.4	Power input kW	35.6	37.9	39.6	41.1	43.6
		Running current A	60.1 / 57.1 / 55.0	64.0 / 60.8 / 58.6	66.9 / 63.5 / 61.2	70.2 / 66.7 / 64.2	73.6 / 69.9 / 67.4																
Power input kW	35.6	37.9	39.6	41.1	43.6																		
Starting current	A	<table border="1"> <tr><td>6</td><td>7</td><td>7</td><td>8</td><td>8</td></tr> </table>										6	7	7	8	8							
		6	7	7	8	8																	
Air flow rate	m³/h	<table border="1"> <tr><td>55,680</td><td>55,200</td><td>55,680</td><td>55,680</td><td>55,680</td></tr> <tr><td>L/s</td><td>15,467</td><td>15,333</td><td>15,467</td><td>15,467</td><td>15,467</td></tr> </table>										55,680	55,200	55,680	55,680	55,680	L/s	15,467	15,333	15,467	15,467	15,467	
		55,680	55,200	55,680	55,680	55,680																	
L/s	15,467	15,333	15,467	15,467	15,467																		
Refrigerant amount at shipment	kg	<table border="1"> <tr><td>33.2</td><td>30.5</td><td>33.2</td><td>33.2</td><td>33.2</td></tr> </table>										33.2	30.5	33.2	33.2	33.2							
		33.2	30.5	33.2	33.2	33.2																	
Piping connections	Gas pipe	<table border="1"> <tr><td>mm (inches)</td><td>Ø38.10 (Ø1-1/2)</td><td>Ø38.10 (Ø1-1/2)</td><td>Ø38.10 (Ø1-1/2)</td><td>Ø41.28 (Ø1-5/8)</td><td>Ø41.28 (Ø1-5/8)</td></tr> </table>										mm (inches)	Ø38.10 (Ø1-1/2)	Ø38.10 (Ø1-1/2)	Ø38.10 (Ø1-1/2)	Ø41.28 (Ø1-5/8)	Ø41.28 (Ø1-5/8)						
	mm (inches)	Ø38.10 (Ø1-1/2)	Ø38.10 (Ø1-1/2)	Ø38.10 (Ø1-1/2)	Ø41.28 (Ø1-5/8)	Ø41.28 (Ø1-5/8)																	
	Liquid pipe	<table border="1"> <tr><td>mm (inches)</td><td>Ø19.05 (Ø3/4)</td><td>Ø19.05 (Ø3/4)</td><td>Ø19.05 (Ø3/4)</td><td>Ø19.05 (Ø3/4)</td><td>Ø19.05 (Ø3/4)</td></tr> </table>										mm (inches)	Ø19.05 (Ø3/4)	Ø19.05 (Ø3/4)	Ø19.05 (Ø3/4)	Ø19.05 (Ø3/4)	Ø19.05 (Ø3/4)						
mm (inches)	Ø19.05 (Ø3/4)	Ø19.05 (Ø3/4)	Ø19.05 (Ø3/4)	Ø19.05 (Ø3/4)	Ø19.05 (Ø3/4)																		
Balance pipe	<table border="1"> <tr><td>mm (inches)</td><td>Ø6.35 (Ø1/4)</td><td>Ø6.35 (Ø1/4)</td><td>Ø6.35 (Ø1/4)</td><td>Ø6.35 (Ø1/4)</td><td>Ø6.35 (Ø1/4)</td></tr> </table>										mm (inches)	Ø6.35 (Ø1/4)	Ø6.35 (Ø1/4)	Ø6.35 (Ø1/4)	Ø6.35 (Ø1/4)	Ø6.35 (Ø1/4)							
mm (inches)	Ø6.35 (Ø1/4)	Ø6.35 (Ø1/4)	Ø6.35 (Ø1/4)	Ø6.35 (Ø1/4)	Ø6.35 (Ø1/4)																		
Ambient temperature operating range	Cooling: -10°C (DB)~ +52°C (DB); Heating: -25°C (WB)~ +18°C (WB)																						
Sound pressure level	Normal mode	<table border="1"> <tr><td>dB (A)</td><td>65.5</td><td>66.5</td><td>66.5</td><td>66.5</td><td>67.0</td></tr> <tr><td>dB (A)</td><td>60.5</td><td>61.5</td><td>61.5</td><td>61.5</td><td>62.0</td></tr> </table>										dB (A)	65.5	66.5	66.5	66.5	67.0	dB (A)	60.5	61.5	61.5	61.5	62.0
		dB (A)	65.5	66.5	66.5	66.5	67.0																
dB (A)	60.5	61.5	61.5	61.5	62.0																		
Sound power level	Normal mode	<table border="1"> <tr><td>dB</td><td>86.5</td><td>87.5</td><td>87.5</td><td>87.5</td><td>88.0</td></tr> </table>										dB	86.5	87.5	87.5	87.5	88.0						
		dB	86.5	87.5	87.5	87.5	88.0																

Global remarks

Rated conditions:	Cooling	Heating
Indoor air temperature	27°C DB / 19°C WB	20°C DB
Outdoor air temperature	35°C DB	7°C DB / 6°C WB

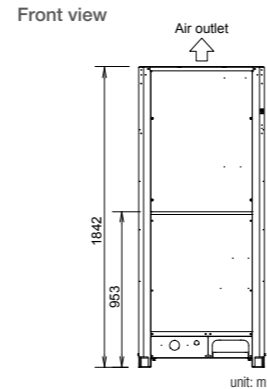
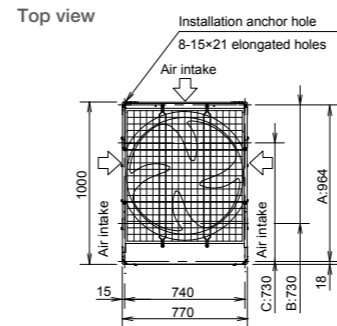
These specifications are subject to change without notice. High durable model (with suffix "E") has same specifications.

HP	28		30		32		34		36		38		40		42		44		46		48		50		52		54																																																																																	
	U-28ME2H7	U-30ME2H7	U-32ME2H7	U-34ME2H7HE	U-36ME2H7HE	U-38ME2H7HE	U-40ME2H7HE	U-42ME2H7	U-44ME2H7	U-46ME2H7	U-48ME2H7	U-50ME2H7HE	U-52ME2H7HE	U-54ME2H7HE	U-12ME2H7	U-14ME2H7	U-16ME2H7	U-18ME2H7	U-20ME2H7	U-22ME2H7	U-24ME2H7	U-26ME2H7	U-28ME2H7	U-30ME2H7	U-32ME2H7	U-34ME2H7	U-36ME2H7	U-38ME2H7	U-40ME2H7	U-42ME2H7	U-44ME2H7	U-46ME2H7	U-48ME2H7	U-50ME2H7	U-52ME2H7	U-54ME2H7																																																																								
Power supply	380/400/415V/3-phase/50Hz 380/400V/3-phase/60Hz																																																																																																											
Capacity	Cooling	<table border="1"> <tr><td>kW</td><td>78.5</td><td>85.0</td><td>90.0</td><td>96.0</td><td>101.0</td><td>107.0</td><td>113.0</td><td>118.0</td><td>124.0</td><td>130.0</td><td>135.0</td><td>140.0</td><td>145.0</td><td>151.0</td></tr> <tr><td>BTU/h</td><td>267,900</td><td>290,100</td><td>307,200</td><td>327,600</td><td>344,700</td><td>365,200</td><td>385,700</td><td>402,700</td><td>423,200</td><td>443,700</td><td>460,800</td><td>477,800</td><td>494,900</td><td>515,400</td></tr> </table>																												kW	78.5	85.0	90.0	96.0	101.0	107.0	113.0	118.0	124.0	130.0	135.0	140.0	145.0	151.0	BTU/h	267,900	290,100	307,200	327,600	344,700	365,200	385,700	402,700	423,200	443,700	460,800	477,800	494,900	515,400																																																	
		kW	78.5	85.0	90.0	96.0	101.0	107.0	113.0	118.0	124.0	130.0	135.0	140.0	145.0	151.0																																																																																												
BTU/h	267,900	290,100	307,200	327,600	344,700	365,200	385,700	402,700	423,200	443,700	460,800	477,800	494,900	515,400																																																																																														
EER / COP	Cooling	<table border="1"> <tr><td>W/W</td><td>4.36</td><td>4.31</td><td>4.13</td><td>4.80</td><td>4.72</td><td>4.51</td><td>4.45</td><td>4.45</td><td>4.31</td><td>4.26</td><td>4.25</td><td>4.13</td><td>4.25</td><td>4.25</td><td>4.25</td><td>4.26</td><td>4.26</td><td>4.25</td><td>4.25</td><td>4.25</td><td>4.25</td><td>4.25</td><td>4.25</td><td>4.25</td><td>4.25</td><td>4.25</td><td>4.25</td><td>4.25</td><td>4.25</td><td>4.25</td><td>4.25</td><td>4.25</td><td>4.25</td><td>4.25</td><td>4.25</td><td>4.25</td></tr> <tr><td>W/W</td><td>5.24</td><td>5.19</td><td>5.13</td><td>5.40</td><td>5.38</td><td>5.31</td><td>5.23</td><td>5.22</td><td>5.19</td><td>5.18</td><td>5.12</td><td>5.12</td><td>5.06</td><td>5.06</td><td>5.06</td><td>5.06</td><td>5.06</td><td>5.06</td><td>5.06</td><td>5.06</td><td>5.06</td><td>5.06</td><td>5.06</td><td>5.06</td><td>5.06</td><td>5.06</td><td>5.06</td><td>5.06</td><td>5.06</td><td>5.06</td><td>5.06</td><td>5.06</td><td>5.06</td><td>5.06</td><td>5.06</td><td>5.06</td><td>5.06</td><td>5.06</td><td>5.06</td><td>5.06</td><td>5.06</td></tr> </table>																												W/W	4.36	4.31	4.13	4.80	4.72	4.51	4.45	4.45	4.31	4.26	4.25	4.13	4.25	4.25	4.25	4.26	4.26	4.25	4.25	4.25	4.25	4.25	4.25	4.25	4.25	4.25	4.25	4.25	4.25	4.25	4.25	4.25	4.25	4.25	4.25	4.25	W/W	5.24	5.19	5.13	5.40	5.38	5.31	5.23	5.22	5.19	5.18	5.12	5.12	5.06	5.06	5.06	5.06	5.06	5.06	5.06	5.06	5.06	5.06	5.06	5.06	5.06	5.06	5.06	5.06	5.06	5.06	5.06	5.06	5.06	5.06	5.06	5.06	5.06	5.06	5.06	5.06	5.06
		W/W	4.36	4.31	4.13	4.80	4.72	4.51	4.45	4.45	4.31	4.26	4.25	4.13	4.25	4.25	4.25	4.26	4.26	4.25	4.25	4.25	4.25	4.25	4.25	4.25	4.25	4.25	4.25	4.25	4.25	4.25	4.25	4.25	4.25	4.25	4.25	4.25																																																																						
W/W	5.24	5.19	5.13	5.40	5.38	5.31	5.23	5.22	5.19	5.18	5.12	5.12	5.06	5.06	5.06	5.06	5.06	5.06	5.06	5.06	5.06	5.06	5.06	5.06	5.06	5.06	5.06	5.06	5.06	5.06	5.06	5.06	5.06	5.06	5.06	5.06	5.06	5.06	5.06	5.06	5.06																																																																			
Dimensions	H x W x D	<table border="1"> <tr><td>mm</td><td>1,842 x 2,420 x 1,000</td><td>1,842 x 2,420 x 1,000</td><td>1,842 x 2,420 x 1,000</td><td>1,842 x 3,250 x 1,000</td><td>1,842 x 3,660 x 1,000</td><td>1,842 x 3,250 x 1,000</td><td>1,842 x 3,660 x 1,000</td><td>1,842 x 3,250 x 1,000</td><td>1,842 x 3,660 x 1,000</td><td>1,842 x 3,250 x 1,000</td><td>1,842 x 3,660 x 1,000</td><td>1,842 x 4,490 x 1,000</td><td>1,842 x 4,900 x 1,000</td><td>1,842 x 4,900 x 1,000</td></tr> </table>																												mm	1,842 x 2,420 x 1,000	1,842 x 2,420 x 1,000	1,842 x 2,420 x 1,000	1,842 x 3,250 x 1,000	1,842 x 3,660 x 1,000	1,842 x 3,250 x 1,000	1,842 x 3,660 x 1,000	1,842 x 3,250 x 1,000	1,842 x 3,660 x 1,000	1,842 x 3,250 x 1,000	1,842 x 3,660 x 1,000	1,842 x 4,490 x 1,000	1,842 x 4,900 x 1,000	1,842 x 4,900 x 1,000																																																																
		mm	1,842 x 2,420 x 1,000	1,842 x 2,420 x 1,000	1,842 x 2,420 x 1,000	1,842 x 3,250 x 1,000	1,842 x 3,660 x 1,000	1,842 x 3,250 x 1,000	1,842 x 3,660 x 1,000	1,842 x 3,250 x 1,000	1,842 x 3,660 x 1,000	1,842 x 3,250 x 1,000	1,842 x 3,660 x 1,000	1,842 x 4,490 x 1,000	1,842 x 4,900 x 1,000	1,842 x 4,900 x 1,000																																																																																												
Electrical ratings	Cooling	<table border="1"> <tr><td>Running current A</td><td>30.4 / 28.9 / 27.8</td><td>33.6 / 31.9 / 30.8</td><td>36.8 / 35.0 / 33.7</td><td>33.8 / 32.1 / 30.9</td><td>35.7 / 33.9 / 32.7</td><td>40.0 / 38.0 / 36.6</td><td>42.4 / 40.3 / 38.8</td><td>46.3 / 43.9 / 42.4</td><td>49.1 / 46.7 / 45.0</td><td>52.2 / 49.6 / 47.8</td><td>55.2 / 52.4 / 50.5</td><td>51.7 / 49.1 / 47.3</td><td>53.4 / 50.8 / 48.9</td><td>57.9 / 55.0 / 53.0</td></tr> <tr><td>Power input kW</td><td>18.0</td><td>19.7</td><td>21.8</td><td>20.0</td><td>21.4</td><td>23.7</td><td>25.4</td><td>27.4</td><td>29.1</td><td>30.6</td><td>32.7</td><td>30.6</td><td>32.7</td><td>34.3</td></tr> </table>																												Running current A	30.4 / 28.9 / 27.8	33.6 / 31.9 / 30.8	36.8 / 35.0 / 33.7	33.8 / 32.1 / 30.9	35.7 / 33.9 / 32.7	40.0 / 38.0 / 36.6	42.4 / 40.3 / 38.8	46.3 / 43.9 / 42.4	49.1 / 46.7 / 45.0	52.2 / 49.6 / 47.8	55.2 / 52.4 / 50.5	51.7 / 49.1 / 47.3	53.4 / 50.8 / 48.9	57.9 / 55.0 / 53.0	Power input kW	18.0	19.7	21.8	20.0	21.4	23.7	25.4	27.4	29.1	30.6	32.7	30.6	32.7	34.3																																																	
		Running current A	30.4 / 28.9 / 27.8	33.6 / 31.9 / 30.8	36.8 / 35.0 / 33.7	33.8 / 32.1 / 30.9	35.7 / 33.9 / 32.7	40.0 / 38.0 / 36.6	42.4 / 40.3 / 38.8	46.3 / 43.9 / 42.4	49.1 / 46.7 / 45.0	52.2 / 49.6 / 47.8	55.2 / 52.4 / 50.5	51.7 / 49.1 / 47.3	53.4 / 50.8 / 48.9	57.9 / 55.0 / 53.0																																																																																												
Power input kW	18.0	19.7	21.8	20.0	21.4	23.7	25.4	27.4	29.1	30.6	32.7	30.6	32.7	34.3																																																																																														
Starting current	A	<table border="1"> <tr><td>3</td><td>4</td><td>4</td><td>3</td><td>3</td><td>4</td><td>4</td><td>4</td><td>5</td><td>5</td><td>6</td><td>6</td><td>5</td><td>5</td><td>6</td></tr> </table>																												3	4	4	3	3	4	4	4	5	5	6	6	5	5	6																																																																
		3	4	4	3	3	4	4	4	5	5	6	6	5	5	6																																																																																												
Air flow rate	m³/h	<table border="1"> <tr><td>27,840</td><td>27,840</td><td>27,840</td><td>41,280</td><td>41,760</td><td>41,280</td><td>41,760</td><td>41,280</td><td>41,760</td><td>41,280</td><td>41,760</td><td>41,760</td><td>55,200</td><td>55,680</td><td>55,200</td></tr> <tr><td>L/s</td><td>7,733</td><td>7,733</td><td>7,733</td><td>11,467</td><td>11,600</td><td>11,467</td><td>11,600</td><td>11,467</td><td>11,600</td><td>11,600</td><td>11,600</td><td>15,333</td><td>15,467</td><td>15,333</td></tr> </table>																												27,840	27,840	27,840	41,280	41,760	41,280	41,760	41,280	41,760	41,280	41,760	41,760	55,200	55,680	55,200	L/s	7,733	7,733	7,733	11,467	11,600	11,467	11,600	11,467	11,600	11,600	11,600	15,333	15,467	15,333																																																	
		27,840	27,840	27,840	41,280	41,760	41,280	41,760	41,280	41,760	41,280	41,760	41,760	55,200	55,680	55,200																																																																																												
L/s	7,733	7,733	7,733	11,467	11,600	11,467	11,600	11,467	11,600	11,600	11,600	15,333	15,467	15,333																																																																																														
Refrigerant amount at shipment	kg	<table border="1"> <tr><td>16.6</td><td>16.6</td><td>16.6</td><td>22.2</td><td>24.9</td><td>22.2</td><td>24.9</td><td>22.2</td><td>24.9</td><td>22.2</td><td>24.9</td><td>24.9</td><td>30.5</td><td>33.2</td><td>30.5</td></tr> </table>																												16.6	16.6	16.6	22.2	24.9	22.2	24.9	22.2	24.9	22.2	24.9	24.9	30.5	33.2	30.5																																																																
		16.6	16.6	16.6	22.2	24.9	22.2	24.9	22.2	24.9	22.2	24.9	24.9	30.5	33.2	30.5																																																																																												
Piping connections	Gas pipe	<table border="1"> <tr><td>mm (inches)</td><td>Ø31.75 (Ø1-1/4)</td><td>Ø31.75 (Ø1-1/4)</td><td>Ø31.75 (Ø1-1/4)</td><td>Ø31.75 (Ø1-1/4)</td><td>Ø31.75 (Ø1-1/4)</td><td>Ø31.75 (Ø1-1/4)</td><td>Ø31.75 (Ø1-1/4)</td><td>Ø31.75 (Ø1-1/4)</td><td>Ø31.75 (Ø1-1/4)</td><td>Ø31.75 (Ø1-1/4)</td><td>Ø31.75 (Ø1-1/4)</td><td>Ø31.75 (Ø1-1/4)</td><td>Ø31.75 (Ø1-1/4)</td><td>Ø31.75 (Ø1-1/4)</td></tr> </table>																												mm (inches)	Ø31.75 (Ø1-1/4)	Ø31.75 (Ø1-1/4)	Ø31.75 (Ø1-1/4)	Ø31.75 (Ø1-1/4)	Ø31.75 (Ø1-1/4)	Ø31.75 (Ø1-1/4)	Ø31.75 (Ø1-1/4)	Ø31.75 (Ø1-1/4)	Ø31.75 (Ø1-1/4)	Ø31.75 (Ø1-1/4)	Ø31.75 (Ø1-1/4)	Ø31.75 (Ø1-1/4)	Ø31.75 (Ø1-1/4)	Ø31.75 (Ø1-1/4)																																																																
	mm (inches)	Ø31.75 (Ø1-1/4)	Ø31.75 (Ø1-1/4)	Ø31.75 (Ø1-1/4)	Ø31.75 (Ø1-1/4)	Ø31.75 (Ø1-1/4)	Ø31.75 (Ø1-1/4)	Ø31.75 (Ø1-1/4)	Ø31.75 (Ø1-1/4)	Ø31.75 (Ø1-1/4)	Ø31.75 (Ø1-1/4)	Ø31.75 (Ø1-1/4)	Ø31.75 (Ø1-1/4)	Ø31.75 (Ø1-1/4)	Ø31.75 (Ø1-1/4)																																																																																													
	Liquid pipe	<table border="1"> <tr><td>mm (inches)</td><td>Ø19.05 (Ø3/4)</td><td>Ø19.05 (Ø3/4)</td><td>Ø19.05 (Ø3/4)</td><td>Ø19.05 (Ø3/4)</td><td>Ø19.05 (Ø3/4)</td><td>Ø19.05 (Ø3/4)</td><td>Ø19.05 (Ø3/4)</td><td>Ø19.05 (Ø3/4)</td><td>Ø19.05 (Ø3/4)</td><td>Ø19.05 (Ø3/4)</td><td>Ø19.05 (Ø3/4)</td><td>Ø19.05 (Ø3/4)</td><td>Ø19.05 (Ø3/4)</td><td>Ø19.05 (Ø3/4)</td></tr> </table>																												mm (inches)	Ø19.05 (Ø3/4)	Ø19.05 (Ø3/4)	Ø19.05 (Ø3/4)	Ø19.05 (Ø3/4)	Ø19.05 (Ø3/4)	Ø19.05 (Ø3/4)	Ø19.05 (Ø3/4)	Ø19.05 (Ø3/4)	Ø19.05 (Ø3/4)	Ø19.05 (Ø3/4)	Ø19.05 (Ø3/4)	Ø19.05 (Ø3/4)	Ø19.05 (Ø3/4)	Ø19.05 (Ø3/4)																																																																
mm (inches)	Ø19.05 (Ø3/4)	Ø19.05 (Ø3/4)	Ø19.05 (Ø3/4)	Ø19.05 (Ø3/4)	Ø19.05 (Ø3/4)	Ø19.05 (Ø3/4)	Ø19.05 (Ø3/4)	Ø19.05 (Ø3/4)	Ø19.05 (Ø3/4)	Ø19.05 (Ø3/4)	Ø19.05 (Ø3/4)	Ø19.05 (Ø3/4)	Ø19.05 (Ø3/4)	Ø19.05 (Ø3/4)																																																																																														
Balance pipe	<table border="1"> <tr><td>mm (inches)</td><td>Ø6.35 (Ø1/4)</td><td>Ø6.35 (Ø1/4)</td><td>Ø6.35 (Ø1/4)</td><td>Ø6.35 (Ø1/4)</td><td>Ø6.35 (Ø1/4)</td><td>Ø6.35 (Ø1/4)</td><td>Ø6.35 (Ø1/4)</td><td>Ø6.35 (Ø1/4)</td><td>Ø6.35 (Ø1/4)</td><td>Ø6.35 (Ø1/4)</td><td>Ø6.35 (Ø1/4)</td><td>Ø6.35 (Ø1/4)</td><td>Ø6.35 (Ø1/4)</td><td>Ø6.35 (Ø1/4)</td></tr> </table>																												mm (inches)	Ø6.35 (Ø1/4)	Ø6.35 (Ø1/4)	Ø6.35 (Ø1/4)	Ø6.35 (Ø1/4)	Ø6.35 (Ø1/4)	Ø6.35 (Ø1/4)	Ø6.35 (Ø1/4)	Ø6.35 (Ø1/4)	Ø6.35 (Ø1/4)	Ø6.35 (Ø1/4)	Ø6.35 (Ø1/4)	Ø6.35 (Ø1/4)	Ø6.35 (Ø1/4)	Ø6.35 (Ø1/4)																																																																	
mm (inches)	Ø6.35 (Ø1/4)	Ø6.35 (Ø1/4)	Ø6.35 (Ø1/4)	Ø6.35 (Ø1/4)	Ø6.35 (Ø1/4)	Ø6.35 (Ø1/4)	Ø6.35 (Ø1/4)	Ø6.35 (Ø1/4)	Ø6.35 (Ø1/4)	Ø6.35 (Ø1/4)	Ø6.35 (Ø1/4)	Ø6.35 (Ø1/4)	Ø6.35 (Ø1/4)	Ø6.35 (Ø1/4)																																																																																														
Ambient temperature operating range	Cooling: -10°C (DB)~ +52°C (DB); Heating: -25°C (WB)~ +18°C (WB)																																																																																																											
Sound pressure level	Normal mode	<table border="1"> <tr><td>dB (A)</td><td>62.5</td><td>63.0</td><td>64.0</td><td>61.5</td><td>62.0</td><td>63.5</td><td>63.5</td><td>65.0</td><td>65.0</td><td>65.0</td><td>65.0</td><td>66.0</td><td>64.5</td><td>64.5</td><td>65.5</td></tr> <tr><td>dB (A)</td><td>57.5</td><td>58.0</td><td>59.0</td><td>56.5</td><td>57.0</td><td>58.5</td><td>58.5</td><td>60.0</td><td>60.0</td><td>60.0</td><td>60.0</td><td>61.0</td><td>59.5</td><td>59.5</td><td>60.5</td></tr> </table>																												dB (A)	62.5	63.0	64.0	61.5	62.0	63.5	63.5	65.0	65.0	65.0	65.0	66.0	64.5	64.5	65.5	dB (A)	57.5	58.0	59.0	56.5	57.0	58.5	58.5	60.0	60.0	60.0	60.0	61.0	59.5	59.5	60.5																																															
		dB (A)	62.5	63.0	64.0	61.5	62.0	63.5	63.5	65.0	65.0	65.0	65.0	66.0	64.5	64.5	65.5																																																																																											
dB (A)	57.5	58.0	59.0	56.5	57.0	58.5	58.5	60.0	60.0	60.0	60.0	61.0	59.5	59.5	60.5																																																																																													
Sound power level	Normal mode	<table border="1"> <tr><td>dB</td><td>83.5</td><td>84.0</td><td>85.0</td><td>82.5</td><td>83.0</td><td>84.5</td><td>84.5</td><td>86.0</td><td>86.0</td><td>86.0</td><td>86.0</td><td>87.0</td><td>85.5</td><td>85.5</td><td>86.5</td></tr> </table>																												dB	83.5	84.0	85.0	82.5	83.0	84.5	84.5	86.0	86.0	86.0	86.0	87.0	85.5	85.5	86.5																																																															
		dB	83.5	84.0	85.0	82.5	83.0	84.5	84.5	86.0	86.0	86.0	86.0	87.0	85.5	85.5	86.5																																																																																											

8 / 10 HP

According to the installation site, you may choose the setting position in the depth direction of the anchor bolt from A, B or C.

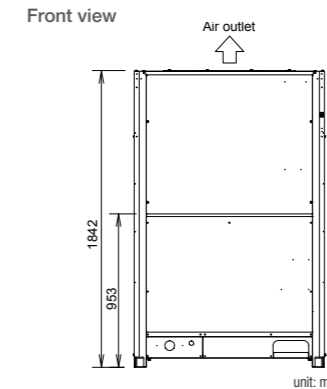
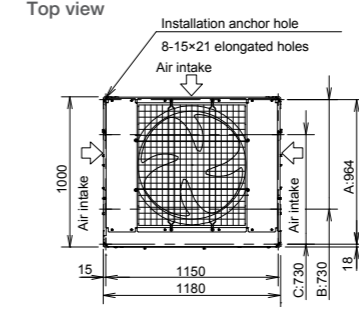
- A: (Installation hole pitch) For removing tube forward
- B: (Installation hole pitch) For removing the tube downward
- C: (Installation hole pitch)



12 / 14 / 16 HP

According to the installation site, you may choose the setting position in the depth direction of the anchor bolt from A, B or C.

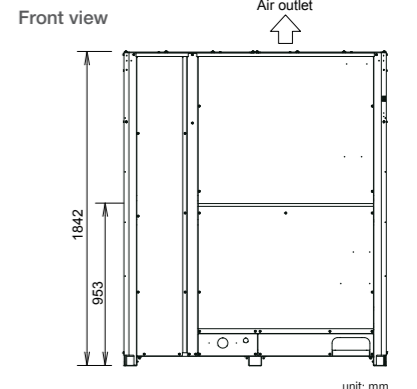
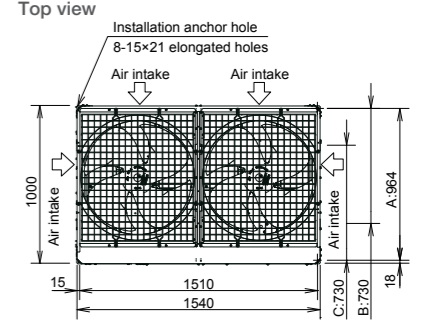
- A: (Installation hole pitch) For removing tube forward
- B: (Installation hole pitch) For removing the tube downward
- C: (Installation hole pitch)



18 / 20 HP

According to the installation site, you may choose the setting position in the depth direction of the anchor bolt from A, B or C.

- A: (Installation hole pitch) For removing tube forward
- B: (Installation hole pitch) For removing the tube downward
- C: (Installation hole pitch)



2-WAY FSV-EX ME2 Series

Space-saving Combination Model



Appearance														
	8	10	12	14	16	18	20	22	24					
HP								U-22ME2H7	U-24ME2H7					
Model name	U-8ME2H7	U-10ME2H7	U-12ME2H7	U-14ME2H7	U-16ME2H7	U-18ME2H7	U-20ME2H7	U-10ME2H7 U-12ME2H7	U-12ME2H7 U-14ME2H7					
Power supply	380/400/415V/3-phase/50Hz 380/400V/3-phase/60Hz													
Capacity	Cooling	kW	22.4	28.0	33.5	40.0	45.0	50.0	56.0	61.5	68.0			
		BTU/h	76,500	95,600	114,300	136,500	153,600	170,600	191,100	209,900	232,100			
EER / COP	Cooling	W/W	5.30	5.03	4.73	4.56	4.13	4.10	3.76	4.84	4.69			
		Heating	W/W	5.84	5.56	5.38	5.29	5.13	5.05	4.60	5.48	5.31		
Dimensions	H x W x D	mm	1,842 x 770 x 1,000	1,842 x 770 x 1,000	1,842 x 1,180 x 1,000	1,842 x 1,180 x 1,000	1,842 x 1,180 x 1,000	1,842 x 1,540 x 1,000	1,842 x 2,010 x 1,000	1,842 x 2,420 x 1,000				
		kg	210	210	270	315	315	375	375	480	540			
Electrical ratings	Cooling	Running current	A	7.14 / 6.78 / 6.54	9.62 / 9.14 / 8.81	11.8 / 11.2 / 10.8	15.3 / 14.5 / 14.0	18.4 / 17.5 / 16.8	20.6 / 19.6 / 18.9	24.6 / 23.4 / 22.5	21.4 / 20.4 / 19.6	24.2 / 23.0 / 22.2		
		Power input	kW	4.23	5.57	7.08	8.77	10.9	12.2	14.9	12.7	14.5		
	Heating	Running current	A	7.15 / 6.79 / 6.54	9.68 / 9.20 / 8.86	11.6 / 11.1 / 10.7	14.9 / 14.1 / 13.6	16.6 / 15.8 / 15.2	18.9 / 18.0 / 17.4	22.9 / 21.7 / 20.9	21.3 / 20.2 / 19.5	24.0 / 22.8 / 22.0		
		Power input	kW	4.28	5.67	6.97	8.51	9.75	11.1	13.7	12.6	14.4		
Starting current	A	1	1	1	2	2	2	2	2	2				
Air flow rate	m ³ /h	13,440	13,440	13,920	13,920	13,920	24,300	24,300	27,360	27,840				
	L/s	3,733	3,733	3,867	3,867	3,867	6,750	6,750	7,600	7,733				
Refrigerant amount at shipment	kg	5.6	5.6	8.3	8.3	8.3	9.5	9.5	13.9	16.6				
External static pressure	Pa	80	80	80	80	80	80	80	80	80				
Piping connections	Gas pipe	mm (inches)	Ø19.05 (Ø3/4)	Ø22.22 (Ø7/8)	Ø25.40 (Ø1)	Ø25.40 (Ø1)	Ø28.58 (Ø1-1/8)	Ø28.58 (Ø1-1/8)	Ø28.58 (Ø1-1/8)	Ø28.58 (Ø1-1/8)	Ø28.58 (Ø1-1/8)			
	Liquid pipe	mm (inches)	Ø9.52 (Ø3/8)	Ø9.52 (Ø3/8)	Ø12.70 (Ø1/2)	Ø12.70 (Ø1/2)	Ø12.70 (Ø1/2)	Ø15.88 (Ø5/8)	Ø15.88 (Ø5/8)	Ø15.88 (Ø5/8)	Ø15.88 (Ø5/8)			
	Balance pipe	mm (inches)	Ø6.35 (Ø1/4)	Ø6.35 (Ø1/4)	Ø6.35 (Ø1/4)	Ø6.35 (Ø1/4)	Ø6.35 (Ø1/4)	Ø6.35 (Ø1/4)	Ø6.35 (Ø1/4)	Ø6.35 (Ø1/4)	Ø6.35 (Ø1/4)			
Ambient temperature operating range	Cooling: -10°C (DB)~ +52°C (DB); Heating: -25°C (WB)~ +18°C (WB)													
Sound pressure level	Normal mode	dB (A)	53.0	56.0	57.0	58.0	61.0	59.0	59.0	59.5	60.0			
	Silent mode (2)	dB (A)	48.0	51.0	52.0	53.0	56.0	54.0	54.0	54.5	55.0			
Sound power level	Normal mode	dB	74.0	77.0	78.0	79.0	82.0	80.0	80.0	80.5	81.0			

Appearance																	
	26	28	30	32	34	36	38	40	42	44	46	48					
HP	U-26ME2H7	U-28ME2H7	U-30ME2H7	U-32ME2H7	U-34ME2H7SP	U-36ME2H7SP	U-38ME2H7SP	U-40ME2H7SP	U-42ME2H7	U-44ME2H7	U-46ME2H7	U-48ME2H7					
Model name	U-10ME2H7 U-16ME2H7	U-12ME2H7 U-16ME2H7	U-14ME2H7 U-16ME2H7	U-16ME2H7 U-16ME2H7	U-14ME2H7 U-20ME2H7	U-16ME2H7 U-20ME2H7	U-18ME2H7 U-20ME2H7	U-20ME2H7 U-20ME2H7	U-10ME2H7 U-16ME2H7 U-16ME2H7	U-12ME2H7 U-16ME2H7 U-16ME2H7	U-14ME2H7 U-16ME2H7 U-16ME2H7	U-16ME2H7 U-16ME2H7					
Power supply	380/400/415V/3-phase/50Hz 380/400V/3-phase/60Hz																
Capacity	Cooling	kW	73.0	78.5	85.0	90.0	96.0	101.0	107.0	113.0	118.0	124.0	130.0	135.0			
		BTU/h	249,100	267,900	290,100	307,200	327,600	344,700	365,200	385,700	402,700	423,200	443,700	460,800			
EER / COP	Cooling	W/W	81.5	87.5	95.0	100.0	108.0	113.0	119.0	127.0	132.0	138.0	145.0	150.0			
		Heating	W/W	278,200	298,600	324,200	341,300	368,600	385,700	406,100	433,400	450,500	471,000	494,900	511,900		
Dimensions	H x W x D	mm	1,842 x 2,010 x 1,000	1,842 x 2,420 x 1,000	1,842 x 2,420 x 1,000	1,842 x 2,420 x 1,000	1,842 x 2,780 x 1,000	1,842 x 2,780 x 1,000	1,842 x 3,140 x 1,000	1,842 x 3,140 x 1,000	1,842 x 3,250 x 1,000	1,842 x 3,660 x 1,000	1,842 x 3,660 x 1,000	1,842 x 3,660 x 1,000			
		kg	525	585	630	630	690	690	750	750	840	900	945	945			
Electrical ratings	Cooling	Running current	A	28.2 / 26.8 / 25.8	30.4 / 28.9 / 27.8	33.6 / 31.9 / 30.8	36.8 / 35.0 / 33.7	40.0 / 38.0 / 36.6	43.1 / 40.9 / 39.4	45.9 / 43.6 / 42.0	49.9 / 47.4 / 45.7	46.3 / 43.9 / 42.4	49.1 / 46.7 / 45.0	52.2 / 49.6 / 47.8	55.2 / 52.4 / 50.5		
		Power input	kW	16.5	18.0	19.7	21.8	23.7	25.8	27.5	30.2	27.4	29.1	30.6	32.7		
	Heating	Running current	A	26.3 / 25.0 / 24.1	28.2 / 26.8 / 25.8	31.6 / 30.0 / 28.9	33.3 / 31.6 / 30.5	37.9 / 36.0 / 34.7	39.7 / 37.7 / 36.3	41.9 / 39.8 / 38.3	46.2 / 43.9 / 42.3	43.2 / 41.0 / 39.5	44.9 / 42.7 / 41.1	48.3 / 45.9 / 44.3	50.0 / 47.5 / 45.8		
		Power input	kW	15.4	16.7	18.3	19.5	22.2	23.5	24.8	27.7	25.3	26.6	28.0	29.3		
Starting current	A	3	3	4	4	4	4	4	4	5	5	6	6				
Air flow rate	m ³ /h	27,360	27,840	27,840	27,840	38,220	38,220	48,600	48,600	41,280	41,760	41,760	41,760				
	L/s	7,600	7,733	7,733	7,733	10,617	10,617	13,500	13,500	11,467	11,600	11,600	11,600				
Refrigerant amount at shipment	kg	13.9	16.6	16.6	16.6	17.8	17.8	19.0	19.0	22.2	24.9	24.9	24.9				
External static pressure	Pa	80	80	80	80	80	80	80	80	80	80	80	80				
Piping connections	Gas pipe	mm (inches)	Ø31.75 (Ø1-1/4)	Ø31.75 (Ø1-1/4)	Ø31.75 (Ø1-1/4)	Ø31.75 (Ø1-1/4)	Ø31.75 (Ø1-1/4)	Ø31.75 (Ø1-1/4)	Ø38.10 (Ø1-1/2)	Ø38.10 (Ø1-1/2)	Ø38.10 (Ø1-1/2)	Ø38.10 (Ø1-1/2)	Ø38.10 (Ø1-1/2)	Ø38.10 (Ø1-1/2)			
	Liquid pipe	mm (inches)	Ø19.05 (Ø3/4)	Ø19.05 (Ø3/4)	Ø19.05 (Ø3/4)	Ø19.05 (Ø3/4)	Ø19.05 (Ø3/4)	Ø19.05 (Ø3/4)	Ø19.05 (Ø3/4)	Ø19.05 (Ø3/4)	Ø19.05 (Ø3/4)	Ø19.05 (Ø3/4)	Ø19.05 (Ø3/4)	Ø19.05 (Ø3/4)			
	Balance pipe	mm (inches)	Ø6.35 (Ø1/4)	Ø6.35 (Ø1/4)	Ø6.35 (Ø1/4)	Ø6.35 (Ø1/4)	Ø6.35 (Ø1/4)	Ø6.35 (Ø1/4)	Ø6.35 (Ø1/4)	Ø6.35 (Ø1/4)	Ø6.35 (Ø1/4)	Ø6.35 (Ø1/4)	Ø6.35 (Ø1/4)	Ø6.35 (Ø1/4)			
Ambient temperature operating range	Cooling: -10°C (DB)~ +52°C (DB); Heating: -25°C (WB)~ +18°C (WB)																
Sound pressure level	Normal mode	dB (A)	62.5	62.5	63.0	64.0	61.5	63.5	62.0	65.0	65.0	65.0	66.0				
	Silent mode (2)	dB (A)	57.5	57.5	58.0	59.0	56.5	58.5	57.0	57.0	60.0	60.0	60.0	61.0			
Sound power level	Normal mode	dB	83.5	83.5	84.0	85.0	82.5	84.5	83.0	86.0	86.0	86.0	87.0				

Appearance														
	50	52	54	56	58	60	62	64	66					
HP	U-50ME2H7SP	U-52ME2H7SP	U-54ME2H7SP	U-56ME2H7SP	U-58ME2H7SP	U-60ME2H7SP	U-62ME2H7	U-64ME2H7	U-66ME2H7SP					
Model name	U-14ME2H7 U-16ME2H7 U-20ME2H7	U-16ME2H7 U-16ME2H7 U-20ME2H7	U-14ME2H7 U-20ME2H7 U-20ME2H7	U-16ME2H7 U-20ME2H7 U-20ME2H7	U-18ME2H7 U-20ME2H7 U-20ME2H7	U-20ME2H7 U-20ME2H7 U-20ME2H7	U-14ME2H7 U-16ME2H7 U-16ME2H7	U-16ME2H7 U-16ME2H7 U-16ME2H7	U-10ME2H7 U-16ME2H7 U-20ME2H7					
Power supply	380/400/415V/3-phase/50Hz 380/400V/3-phase/60Hz													
Capacity	Cooling	kW	140.0	145.0	151.0	156.0	162.0	168.0	174.0	180.0	185.0			
		BTU/h	477,800	494,900	515,400	532,400	552,900	573,400	593,900	614,300	631,400			
EER / COP	Cooling	W/W	4.09	3.99	3.95	3.87	3.86	3.76	4.23	4.13	4.00			
		Heating	W/W	5.00	4.95	4.79	4.76	4.73	4.60	5.11	4.85			
Dimensions	H x W x D	mm	1,842 x 4,020 x 1,000	1,842 x 4,020 x 1,000	1,842 x 4,380 x 1,000	1,842 x 4,380 x 1,000	1,842 x 4,740 x 1,000	1,842 x 4,740 x 1,000	1,842 x 4,900 x 1,000	1,842 x 4,900 x 1,000	1,842 x 5,210 x 1,000			
		kg	1,005	1,005	1,065	1,065	1,125	1,125	1,260	1,260	1,275			
Electrical ratings	Cooling	Running current	A	57.7 / 54.8 / 52.9	60.6 / 57.6 / 55.5	63.8 / 60.6 / 58.4	67.3 / 63.9 / 61.6	70.1 / 66.6 / 64.2	73.8 / 70.1 / 67.6	70.2 / 66.7 / 64.2	73.6 / 69.9 / 67.4	77.3 / 73.4 / 70.8		
		Power input	kW	34.2	36.3	38.2	40.3	42.0	44.7	41.1	43.6	46.3		
	Heating	Running current	A	52.9 / 50.3 / 48.5	54.5 / 51.8 / 49.9	59.6 / 56.6 / 54.6	62.1 / 59.0 / 56.9	65.0 / 61.7 / 59.5	68.6 / 65.2 / 62.8	64.5 / 61.3 / 59.1	67.1 / 63.7 / 61.4	72.1 / 68.5 / 66.0		
		Power input	kW	31.0	32.3	35.3	36.8	38.5	41.1	37.8	39.3	42.7		
Starting current	A	6	6	6	6	6	8	8	7					
Air flow rate	m ³ /h	52,140	52,140	62,520	62,520	72,900	72,900	55,680	55,680	75,960				
	L/s	14,483	14,483	17,367	17,367	20,250	20,250	15,467	15,467	21,100				
Refrigerant amount at shipment	kg	26.1	26.1	27.3	27.3	28.5	28.5	33.2	33.2	32.9				
External static pressure	Pa	80	80	80	80	80	80	80	80	80				
Piping connections	Gas pipe	mm (inches)	Ø38.10 (Ø1-1/2)	Ø38.10 (Ø1-1/2)	Ø38.10 (Ø1-1/2)	Ø38.10 (Ø1-1/2)	Ø38.10 (Ø1-1/2)	Ø41.28 (Ø1-5/8)	Ø41.28 (Ø1-5/8)	Ø41.28 (Ø1-5/8)				
	Liquid pipe	mm (inches)	Ø19.05 (Ø3/4)	Ø19.05 (Ø3/4)	Ø19.05 (Ø3/4)	Ø19.05 (Ø3/4)	Ø19.05 (Ø3/4)	Ø19.05 (Ø3/4)	Ø19.05 (Ø3/4)	Ø19.05 (Ø3/4)				
	Balance pipe	mm (inches)	Ø6.35 (Ø1/4)	Ø6.35 (Ø1/4)	Ø6.35 (Ø1/4)	Ø6.35 (Ø1/4)	Ø6.35 (Ø1/4)	Ø6.35 (Ø1/4)	Ø6.35 (Ø1/4)	Ø6.35 (Ø1/4)				
Ambient temperature operating range	Cooling: -10°C (DB)~ +52°C (DB); Heating: -25°C (WB)~ +18°C (WB)													
Sound pressure level	Normal mode	dB (A)	64.5	65.5	63.5	64.0	66.5	67.0	67.0	65.5				
	Silent mode (2)	dB (A)	59.5	60.5	58.5	59.5	59.0	59.0	61.5	62.0	60.5			
Sound power level	Normal mode	dB	85.5	86.5	84.5	85.5	85.0	87.5	88.0	86.5				

Appearance								
	68	70	72	74	76	78	80	
HP	U-68ME2H7SP	U-70ME2H7SP	U-72ME2H7SP	U-74ME2H7SP	U-76ME2H7SP	U-78ME2H7SP	U-80ME2H7SP	