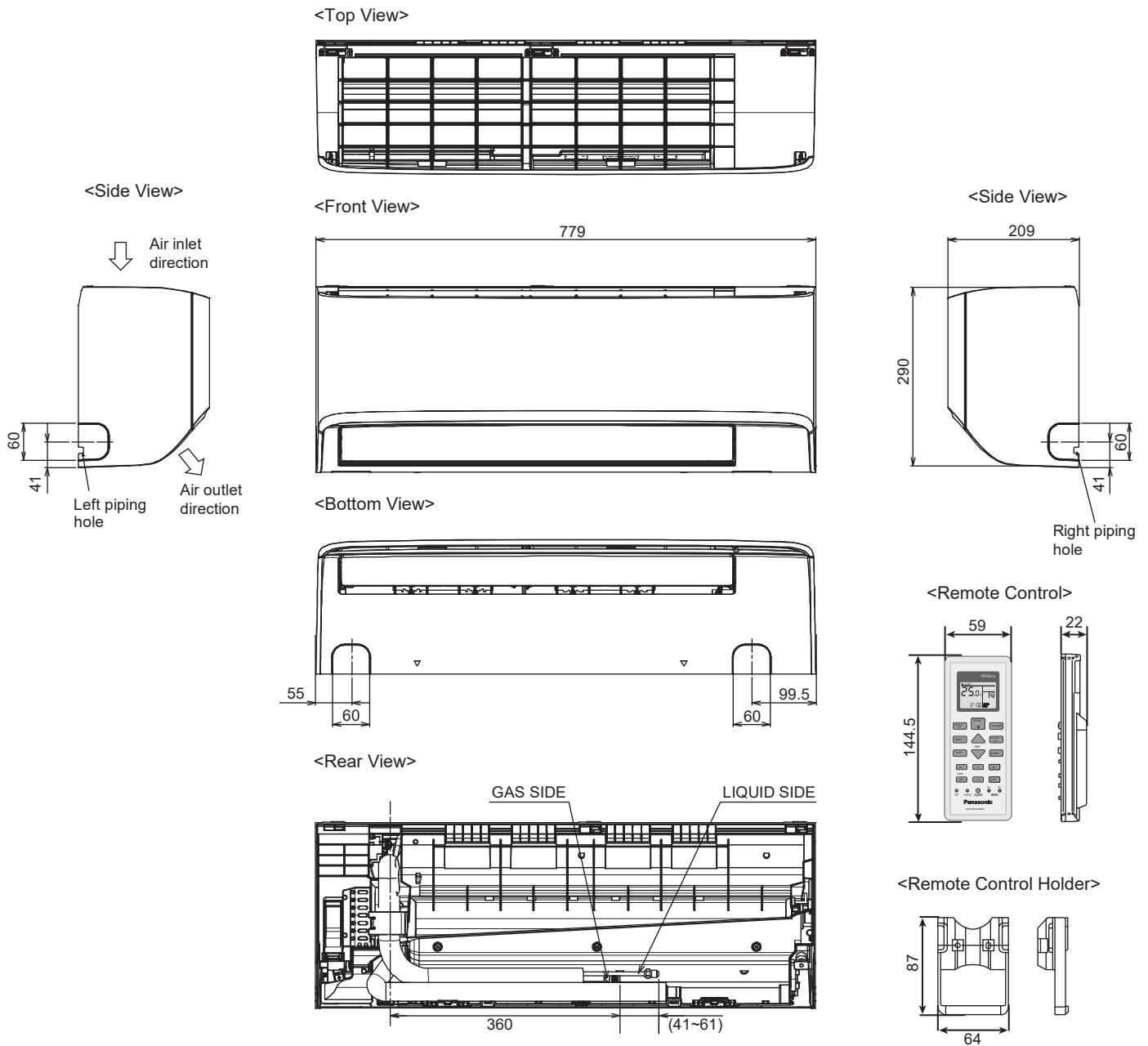


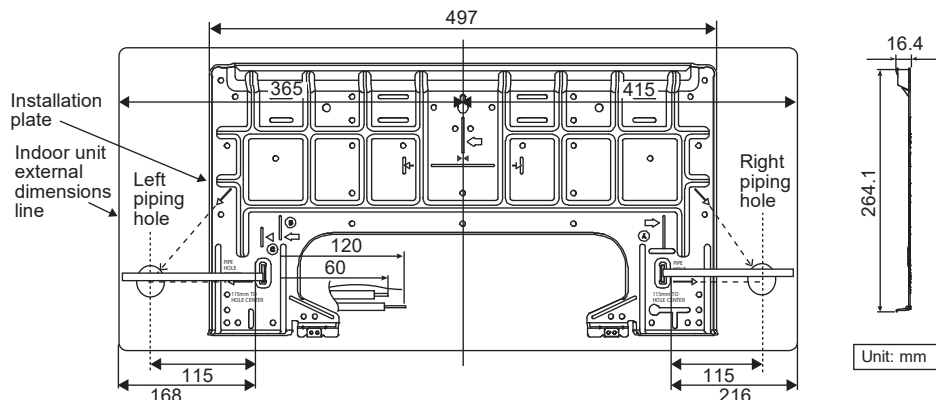
Dimensions

1 Indoor Unit

1.1 CS-PU9XKH-8M / CS-PU12XKH-8M / CS-PU18XKH-8M

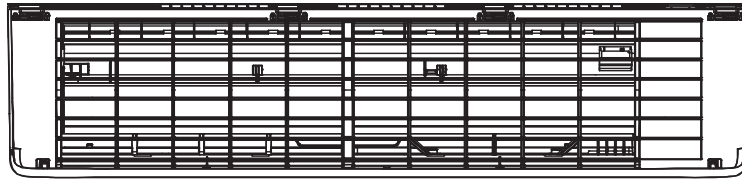


Relative position between the indoor unit and the installation plate <Front View>

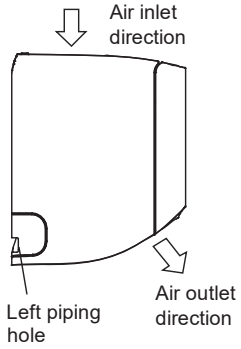


1.2 CS-PU24XKH-8M

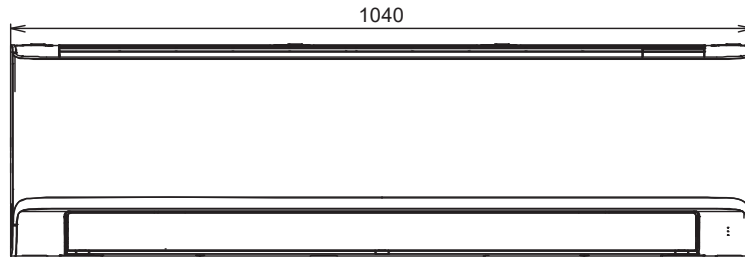
<Top View>



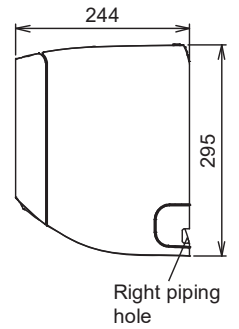
<Side View>



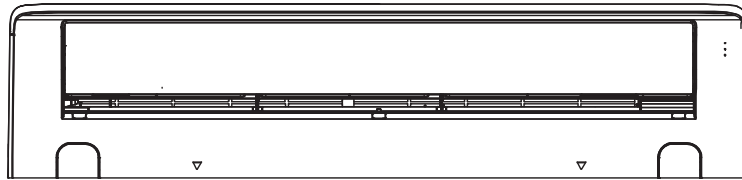
<Front View>



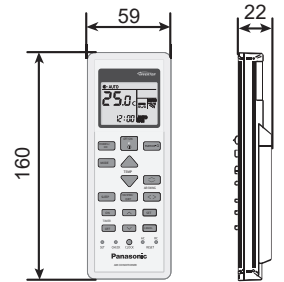
<Side View>



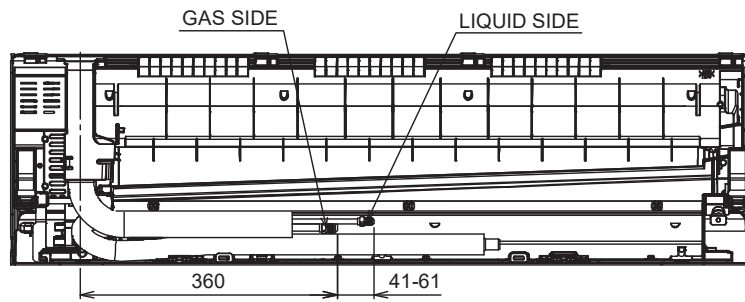
<Bottom View>



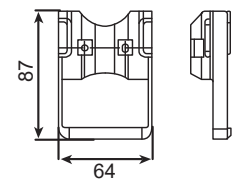
<Remote Control>



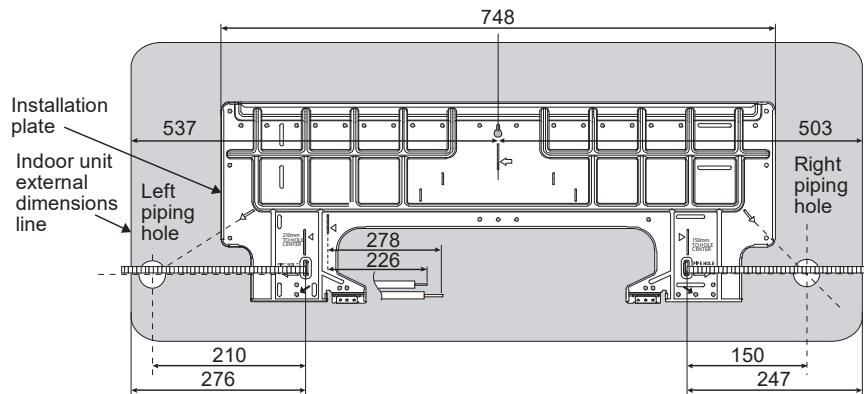
<Rear View>



<Remote Control Holder>



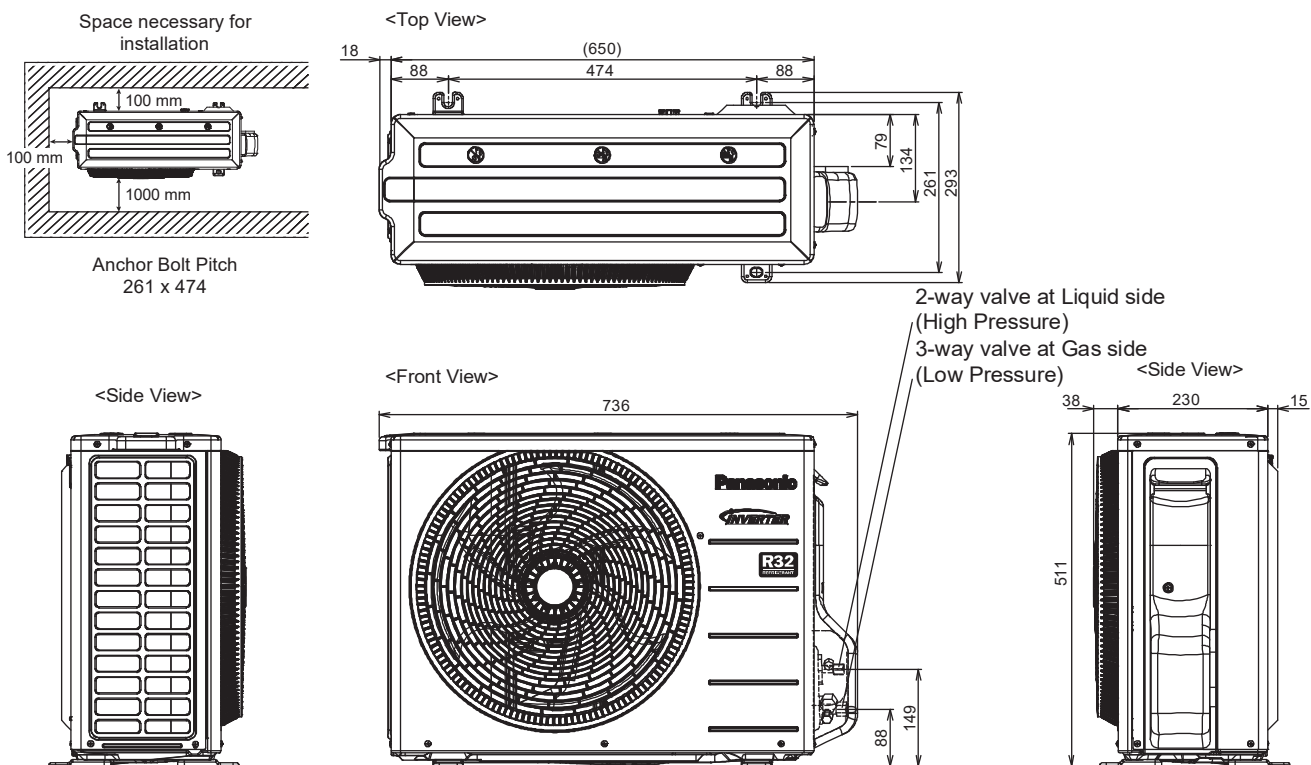
Relative position between the indoor unit and the installation plate <Front View>



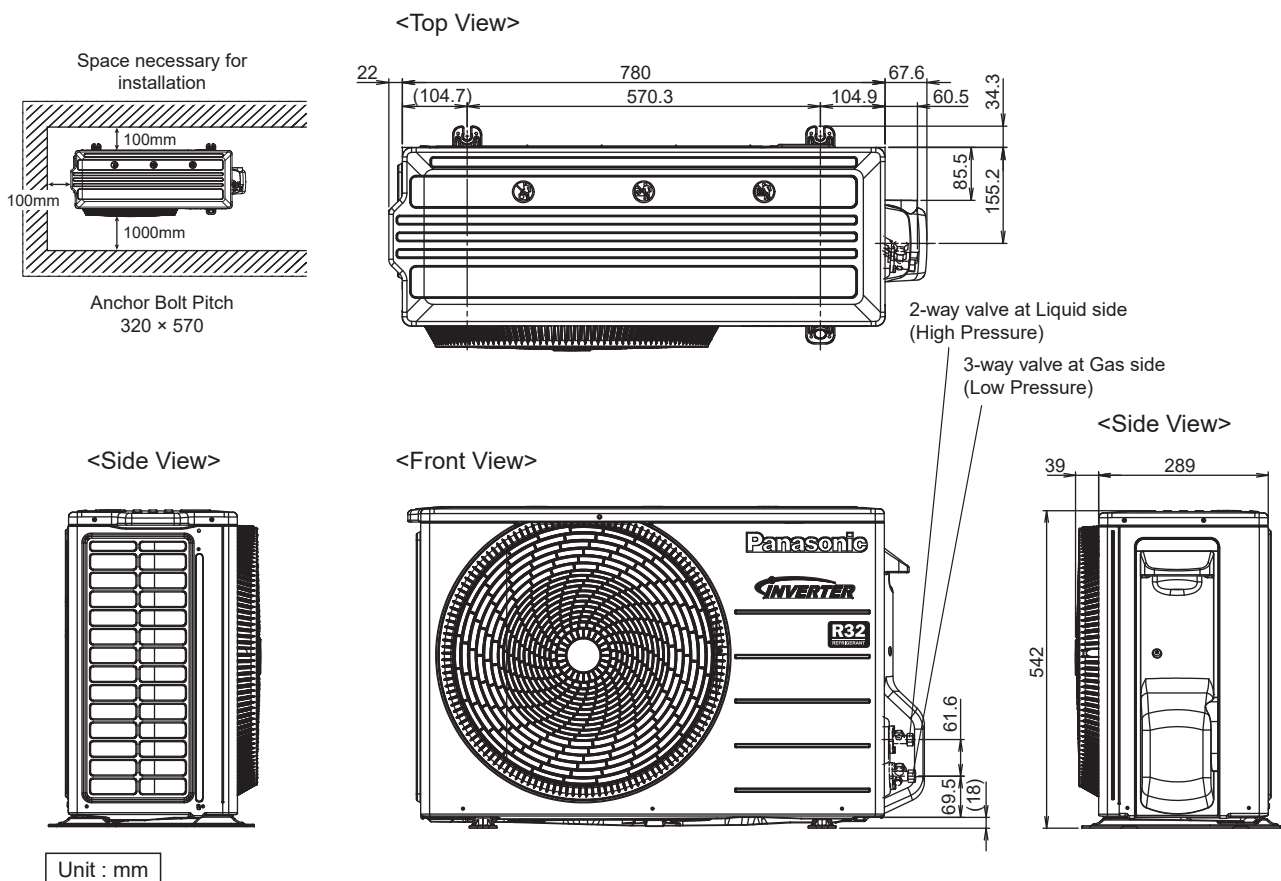
Unit: mm

2 Outdoor Unit

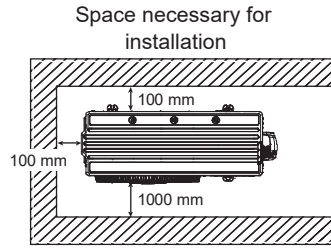
2.1 CU-PU9XKH-8M



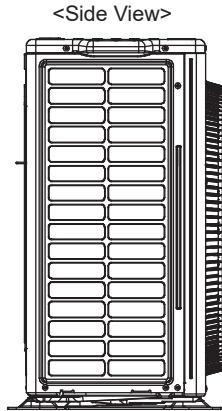
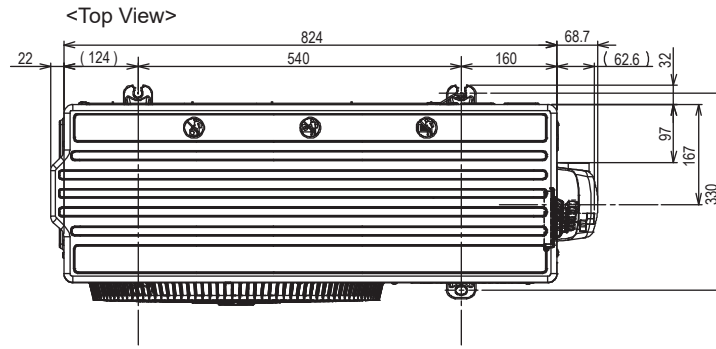
2.2 CU-PU12XKH-8M



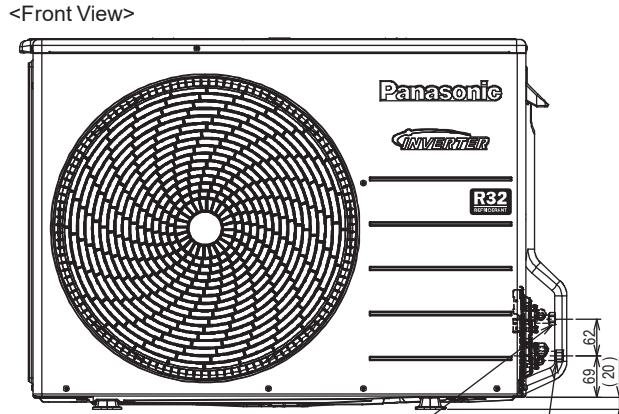
2.3 CU-PU18XKH-8M / CU-PU24XKH-8M



Anchor Bolt Pitch
330 x 540



Unit: mm



2-way valve at Liquid side (High Pressure)
3-way valve at Gas side (Low Pressure)

