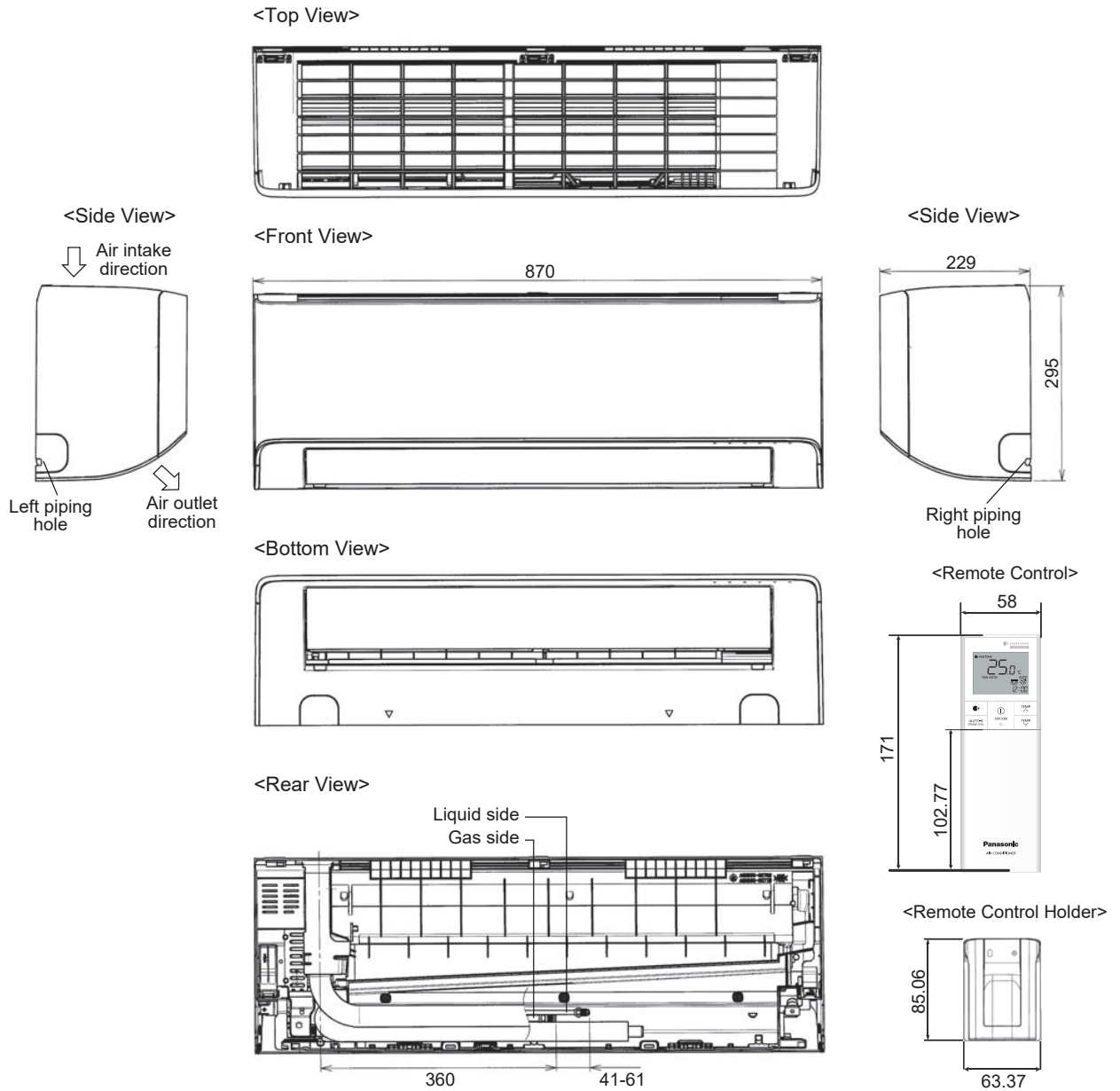


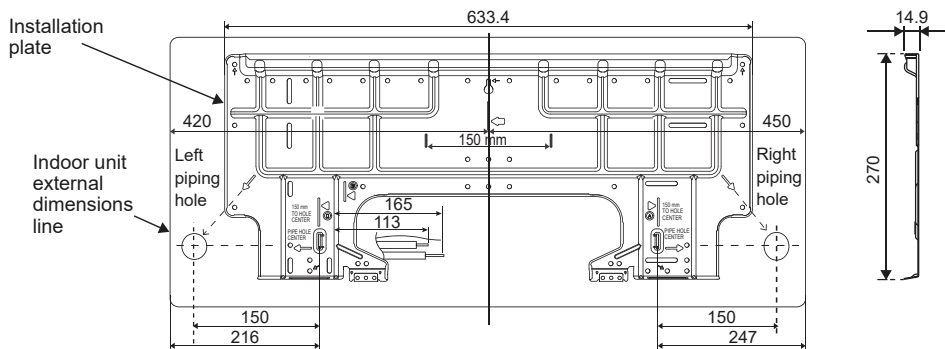
Dimensions

1 Indoor Unit

1.1 CS-U9ZKH-8 / CS-U12ZKH-8



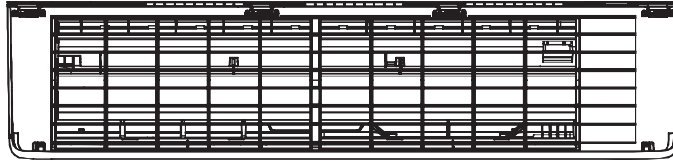
Relative position between the indoor unit and the installation plate <Front View>



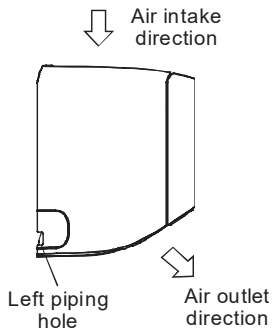
Unit: mm

1.2 CS-U18ZKH-8 / CS-U24ZKH-8

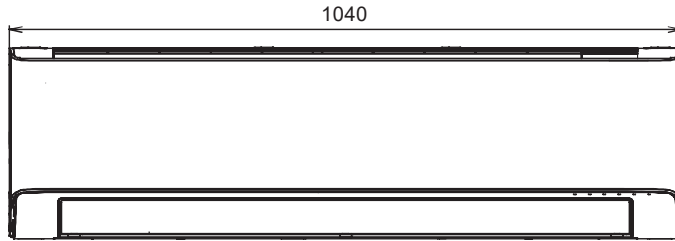
<Top View>



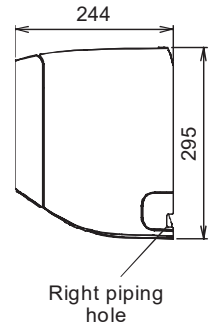
<Side View>



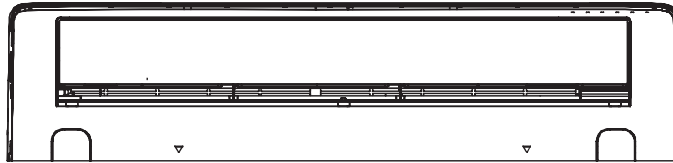
<Front View>



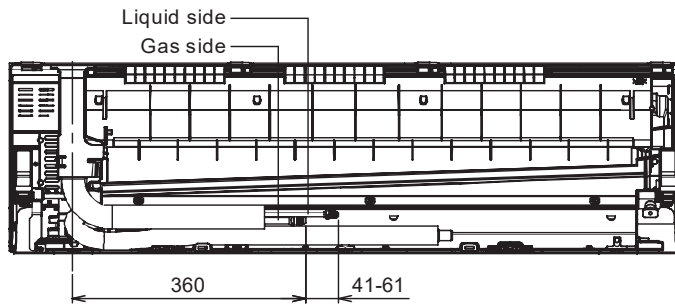
<Side View>



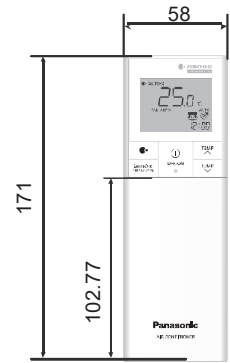
<Bottom View>



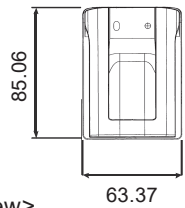
<Rear View>



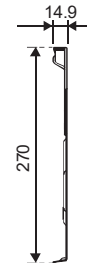
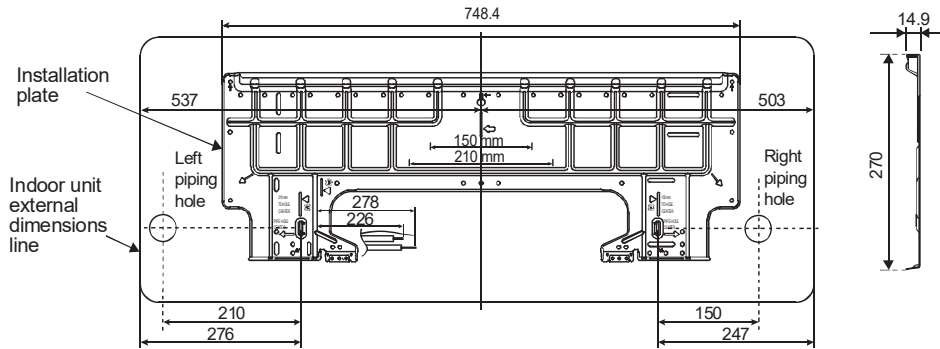
<Remote Control>



<Remote Control Holder>



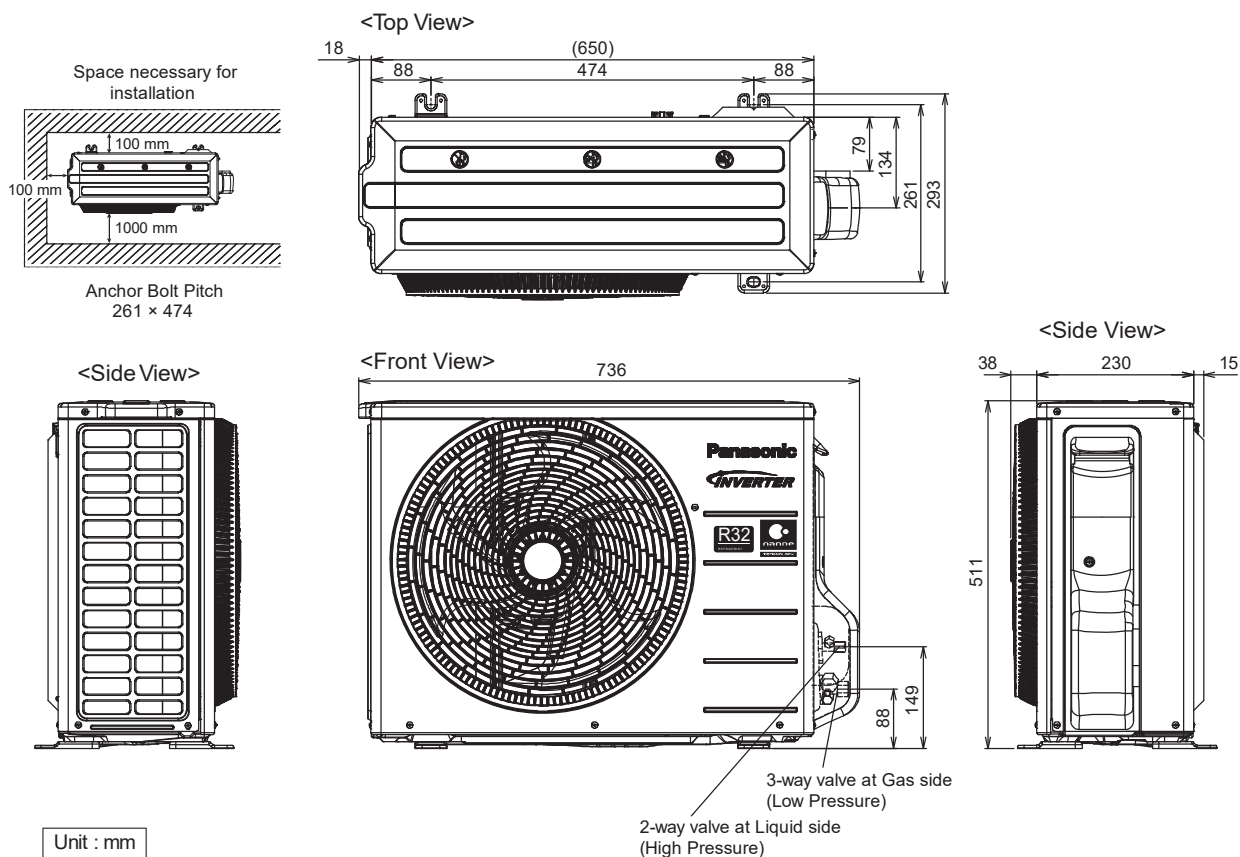
Relative position between the indoor unit and the installation plate <Front View>



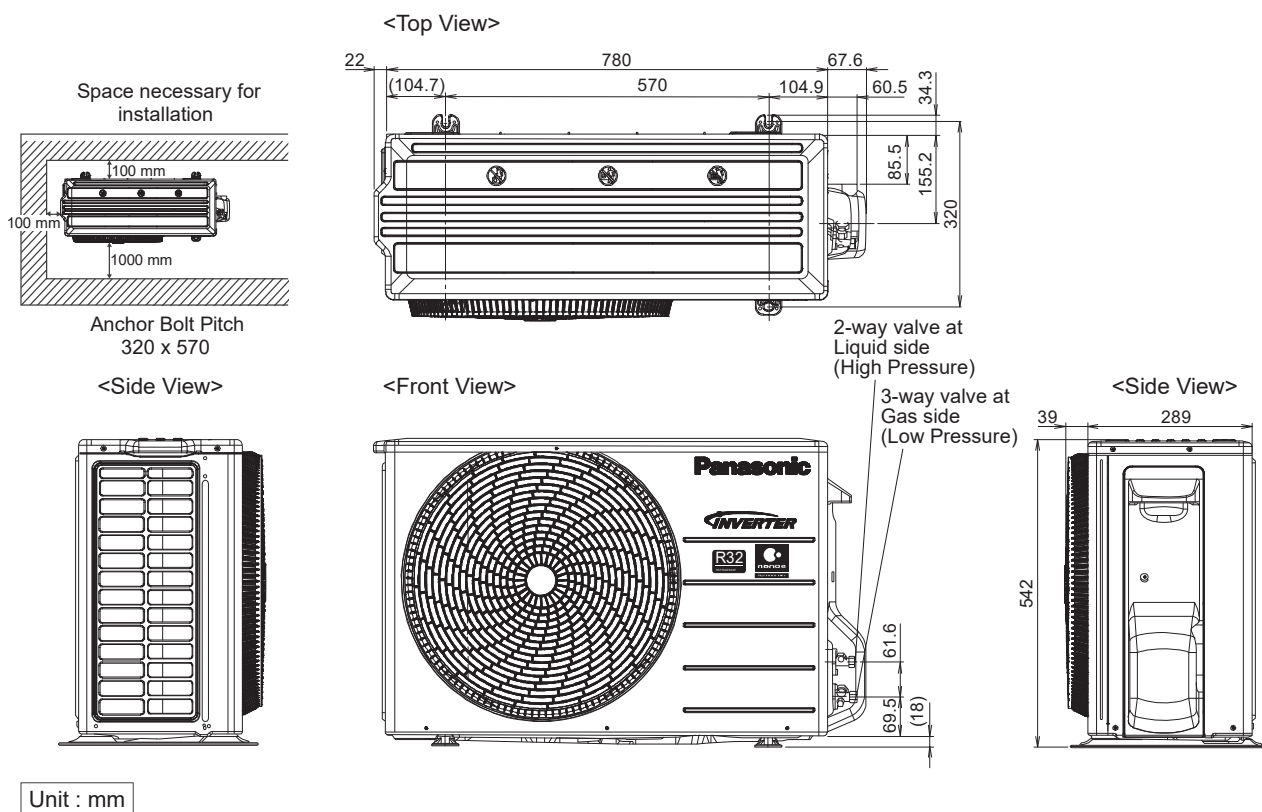
Unit: mm

2 Outdoor Unit

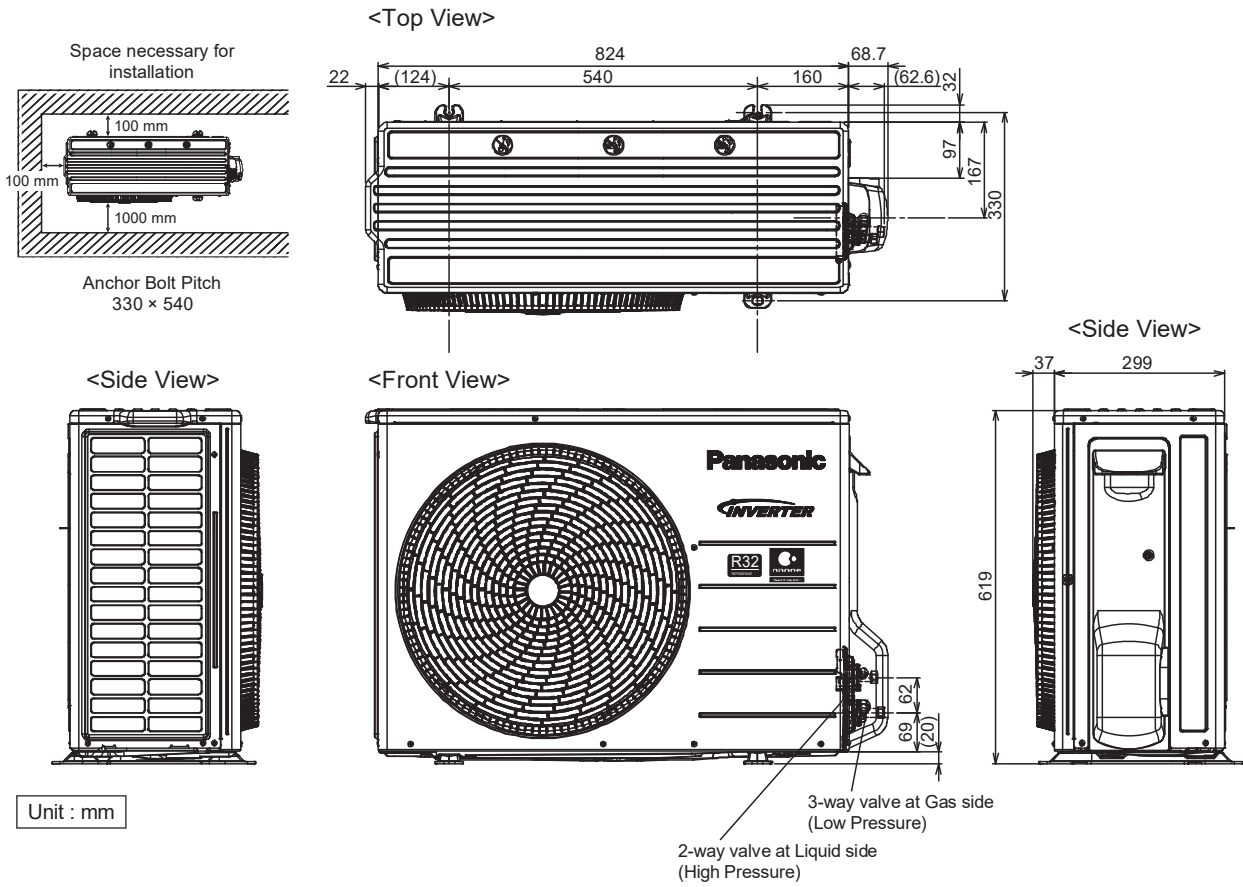
2.1 CU-U9ZKH-8



2.2 CU-U12ZKH-8



2.3 CU-U18ZKH-8



2.4 CU-U24ZKH-8

