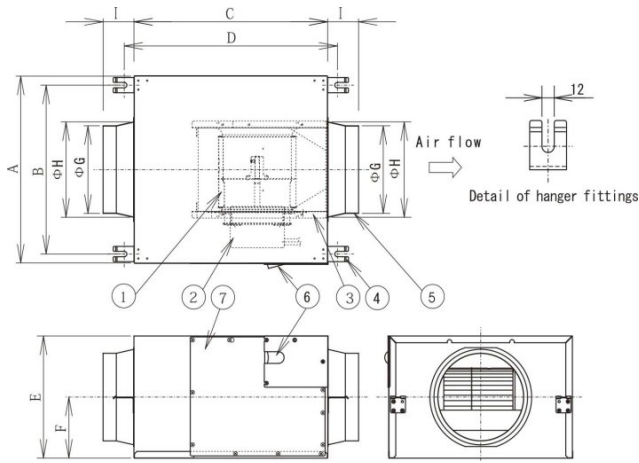


# Specification Data Sheet

Issue date: 2009.05.22  
Revise date: 2009.06.19

## Cabinet Fan Model No. FV-20NS3

### Dimension



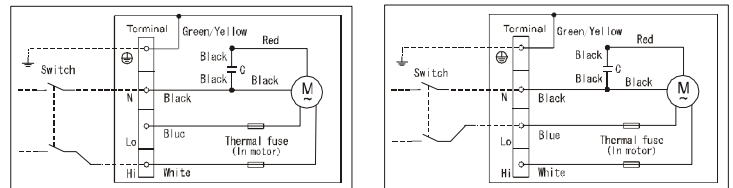
Unit: mm

| A   | B   | C   | D   | E   | F   | G   | H   | I  | CONNECTER DUCT DIMENSION |
|-----|-----|-----|-----|-----|-----|-----|-----|----|--------------------------|
| 416 | 376 | 441 | 485 | 272 | 136 | 195 | 211 | 70 | Φ 200                    |

### Parts list

| No. | Parts name       | Q'ty | Material |
|-----|------------------|------|----------|
| 1   | Impeller         | 1    | METAL    |
| 2   | Motor            | 1    | -        |
| 3   | Fan casing       | 1    | METAL    |
| 4   | Hanger fitting   | 4    | METAL    |
| 5   | Adapter          | 2    | METAL    |
| 6   | Terminal cover   | 1    | METAL    |
| 7   | Inspection panel | 1    | METAL    |

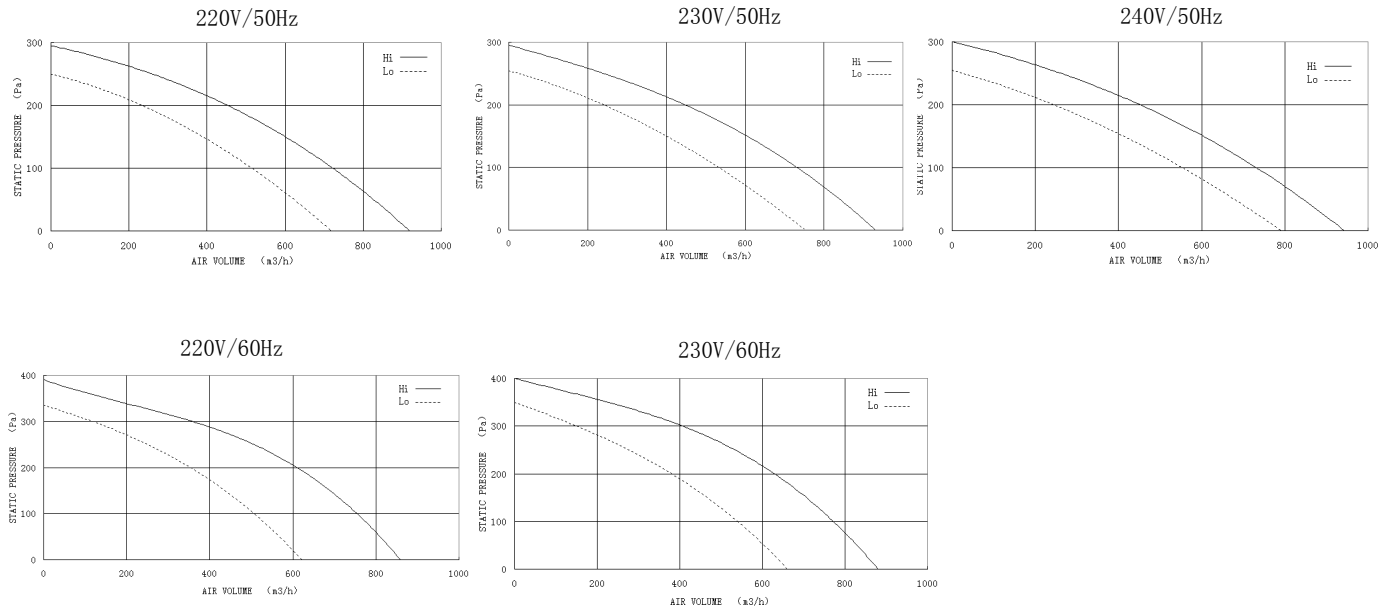
### Wiring Diagram



Hi Speed

Lo Speed

### Air Volume - Static Pressure Curve



### Specifications

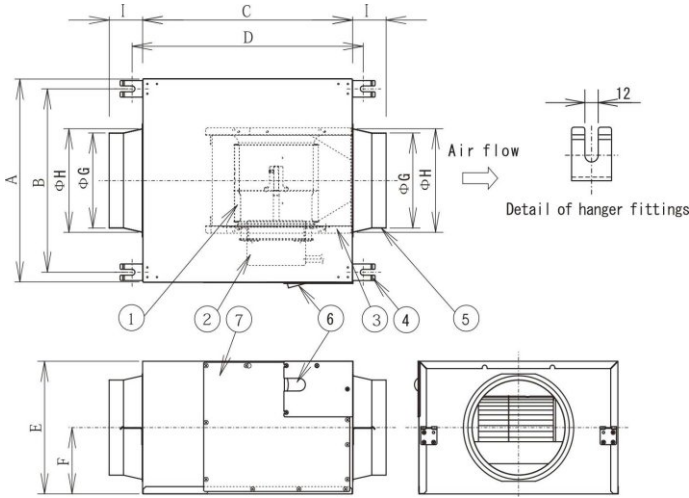
| Power Rating   | V/Hz                    | 220/50 |      | 230/50 |      | 240/50 |      | 220/60 |      | 230/60 |      |
|----------------|-------------------------|--------|------|--------|------|--------|------|--------|------|--------|------|
|                |                         | Hi     | Lo   | Hi     | Lo   | Hi     | Lo   | Hi     | Lo   | Hi     | Lo   |
| Air Volume     | m <sup>3</sup> /h(±10%) | 920    | 720  | 930    | 750  | 940    | 790  | 860    | 620  | 880    | 660  |
| Static presure | Pa                      | 295    | 250  | 295    | 255  | 300    | 255  | 390    | 335  | 400    | 350  |
| Noise Level    | dB(A) +3dB, -7dB        | 32     | 29   | 33     | 30   | 34     | 31   | 32     | 26   | 33     | 27   |
| Consumption    | W(±20%)                 | 120    | 113  | 125    | 120  | 135    | 125  | 159    | 128  | 169    | 137  |
| Current        | A(±20%)                 | 0.57   | 0.53 | 0.57   | 0.53 | 0.57   | 0.53 | 0.72   | 0.59 | 0.74   | 0.61 |
| Net Weight     | kg                      | 14     |      |        |      |        |      |        |      |        |      |

## Specification Data Sheet

Issue date: 2009.05.22  
Revise date: 2009.06.19

### Cabinet Fan Model No. FV-20NS3 12

Dimension



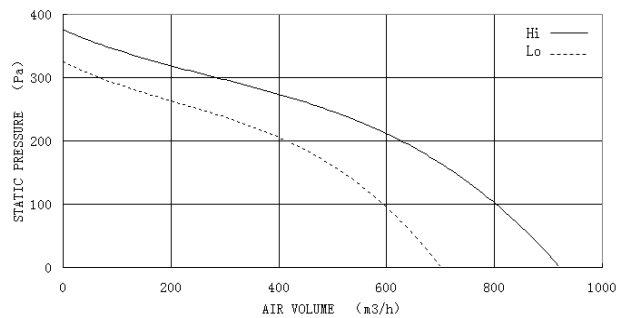
Unit: mm

| A   | B   | C   | D   | E   | F   | G   | H   | I  | CONNECTER DUCT DIMENSION |
|-----|-----|-----|-----|-----|-----|-----|-----|----|--------------------------|
| 416 | 376 | 441 | 485 | 272 | 136 | 195 | 211 | 70 | Φ 200                    |

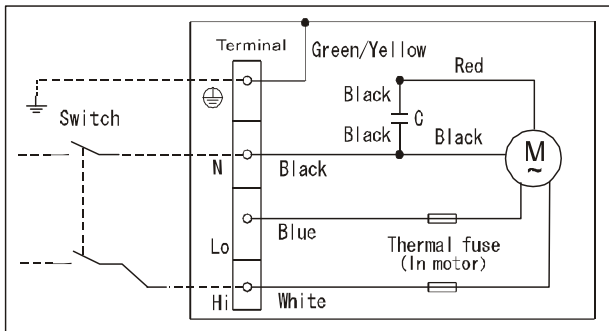
Parts list

| No. | Parts name       | Q'ty | Material |
|-----|------------------|------|----------|
| 1   | Impeller         | 1    | METAL    |
| 2   | Motor            | 1    | -        |
| 3   | Fan casing       | 1    | METAL    |
| 4   | Hanger fitting   | 4    | METAL    |
| 5   | Adapter          | 2    | METAL    |
| 6   | Terminal cover   | 1    | METAL    |
| 7   | Inspection panel | 1    | METAL    |

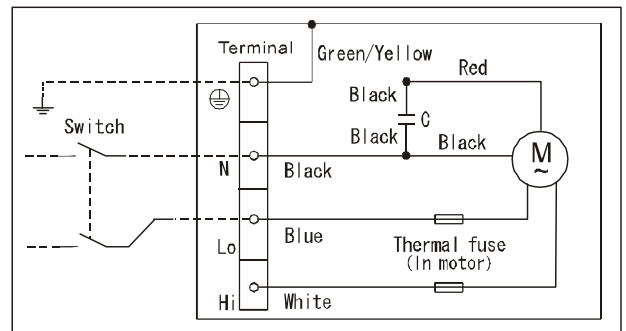
Air Volume - Static Pressure Curve



Wiring Diagram



Hi Speed



Lo Speed

**Specifications**

| Power Rating    | V/Hz                    | 127/60 |      |
|-----------------|-------------------------|--------|------|
|                 |                         | Hi     | Lo   |
| Air Volume      | m <sup>3</sup> /h(±10%) | 920    | 700  |
| Static pressure | Pa                      | 375    | 325  |
| Noise Level     | dB(A) +3dB,-7dB         | 35     | 31   |
| Consumption     | W(±20%)                 | 170    | 135  |
| Current         | A(±20%)                 | 1.33   | 1.08 |
| Net Weight      | kg                      | 14     |      |