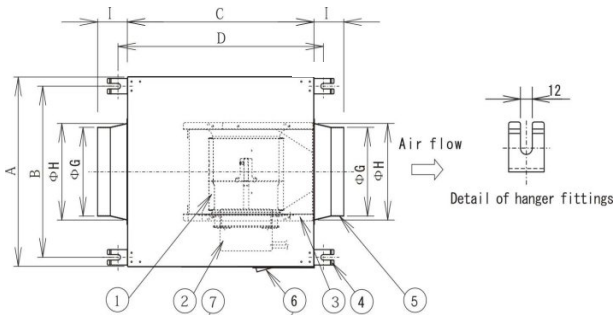


Specification Data Sheet

Issue date: 2009.05.22
 Revise date: 2009.06.19

Cabinet Fan Model No. FV-25NF3

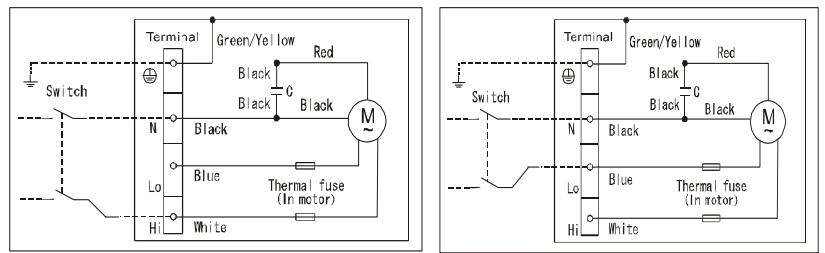
Dimension



Parts list

No.	Parts name	Q'ty	Material
1	Impeller	1	METAL
2	Motor	1	-
3	Fan casing	1	METAL
4	Hanger fitting	4	METAL
5	Adapter	2	METAL
6	Terminal cover	1	METAL
7	Inspection panel	1	METAL

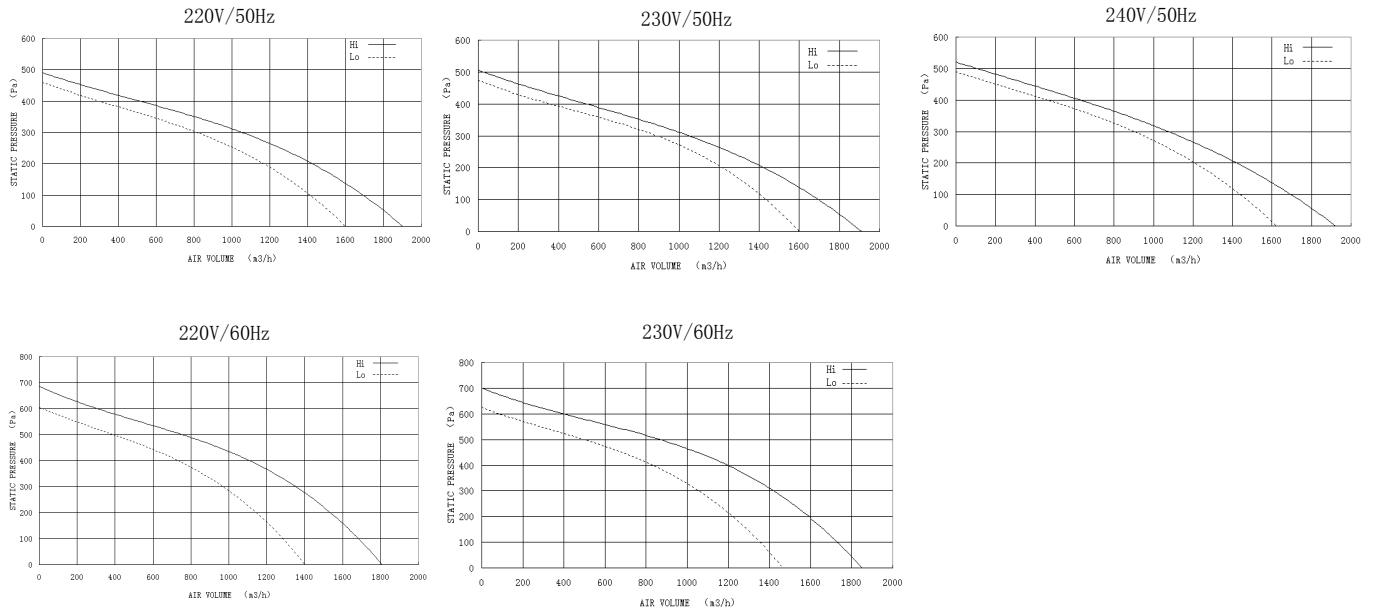
Wiring Diagram



A	B	C	D	E	F	G	H	I	CONNECTER DUCT DIMENSION
494	450	505	549	334	167	240	255	85	Φ 250

Unit: mm

Air Volume - Static Pressure Curve



Specifications

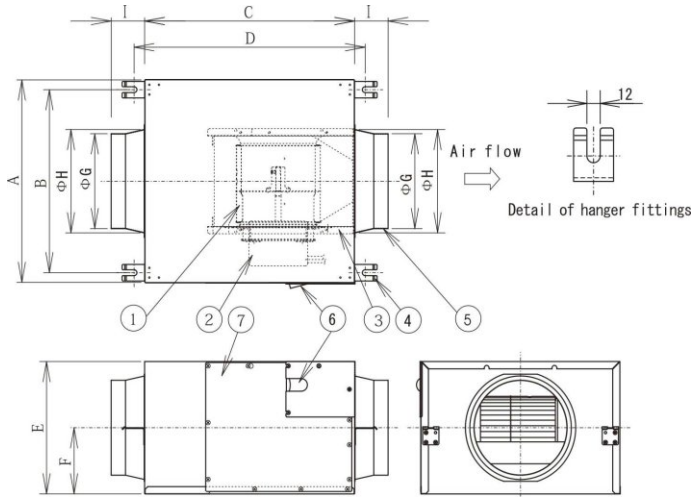
Power Rating	V/Hz	220/50		230/50		240/50		220/60		230/60	
		Hi	Lo	Hi	Lo	Hi	Lo	Hi	Lo	Hi	Lo
Air Volume	m ³ /h(±10%)	1900	1600	1910	1600	1920	1620	1810	1400	1850	1460
Static presure	Pa	490	460	505	475	520	490	685	605	700	625
Noise Level	dB(A) +3dB,-7dB	43	40	45	41	46	42	42	41	43	41
Consumption	W(±15%)	390	325	410	335	430	360	520	380	545	420
Current	A(±15%)	1.82	1.54	1.83	1.55	1.84	1.58	2.44	1.82	2.45	1.86
Net Weight	kg	24									

Specification Data Sheet

Issue date: 2009.05.22
Revise date: 2009.06.19

Cabinet Fan Model No. FV-25NF3 12

Dimension



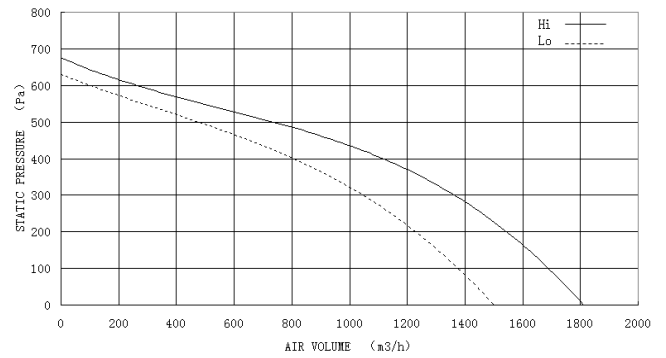
Unit: mm

A	B	C	D	E	F	G	H	I	CONNECTER DUCT DIMENSION
494	450	505	549	334	167	240	255	85	Φ 250

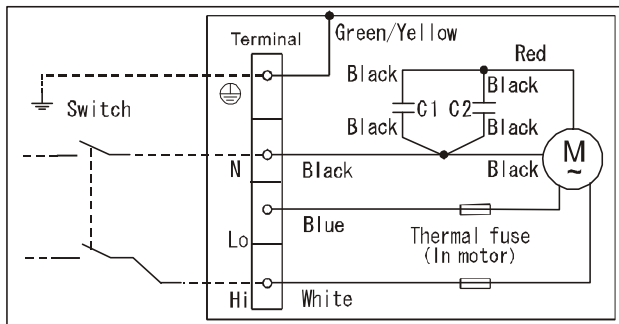
Parts list

No.	Parts name	Q'ty	Material
1	Impeller	1	METAL
2	Motor	1	-
3	Fan casing	1	METAL
4	Hanger fitting	4	METAL
5	Adapter	2	METAL
6	Terminal cover	1	METAL
7	Inspection panel	1	METAL

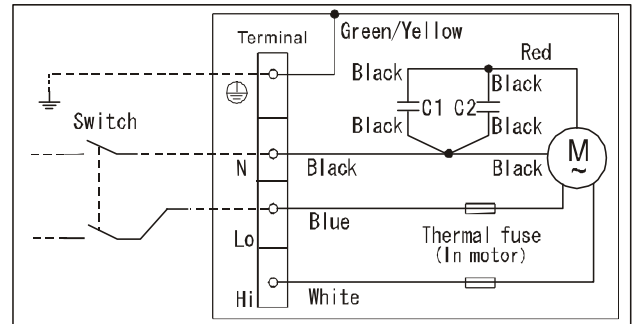
Air Volume - Static Pressure Curve



Wiring Diagram



Hi Speed



Lo Speed

Specifications

Power Rating	V/Hz	127/60	
		Hi	Lo
Air Volume	m³/h(±10%)	1810	1500
Static pressure	Pa	675	630
Noise Level	dB(A) +3dB,-7dB	42	39
Consumption	W(±15%)	570	430
Current	A(±15%)	4.61	3.63
Net Weight	kg	24	