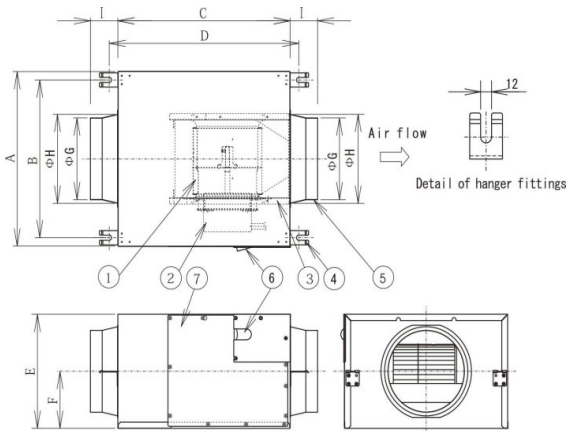


### Specification Data Sheet

Issue date: 2009.05.22  
Revise date: 2009.06.19

#### Cabinet Fan Model No. FV-25NS3

##### Dimension



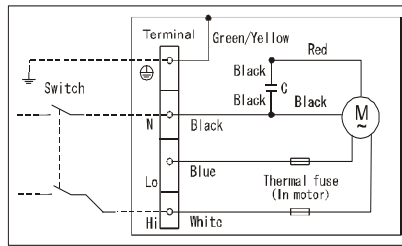
Unit: mm

A	B	C	D	E	F	G	H	I	CONNECTER DUCT DIMENSION
494	450	505	549	334	167	240	255	85	Φ250

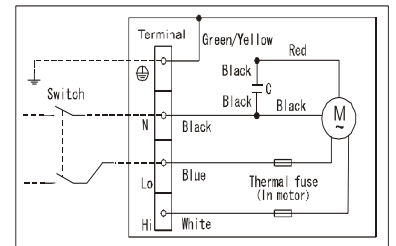
##### Parts list

No.	Parts name	Q'ty	Material
1	Impeller	1	METAL
2	Motor	1	-
3	Fan casing	1	METAL
4	Hanger fitting	4	METAL
5	Adapter	2	METAL
6	Terminal cover	1	METAL
7	Inspection panel	1	METAL

##### Wiring Diagram



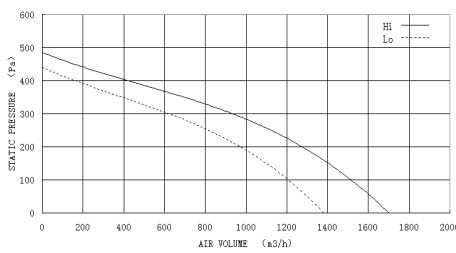
High Speed



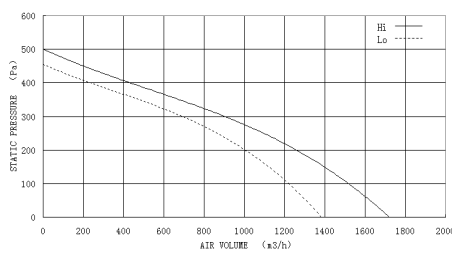
Low Speed

##### Air Volume - Static Pressure Curve

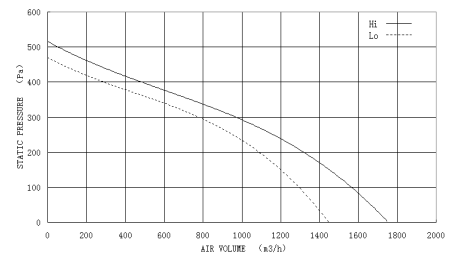
220V/50Hz



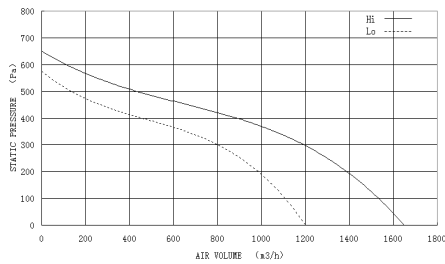
230V/50Hz



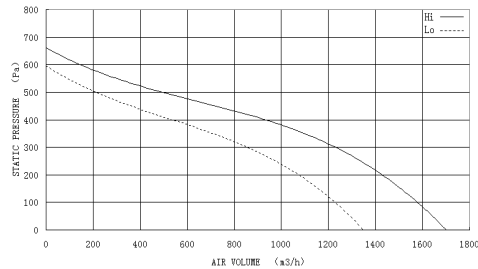
240V/50Hz



220V/60Hz



230V/60Hz



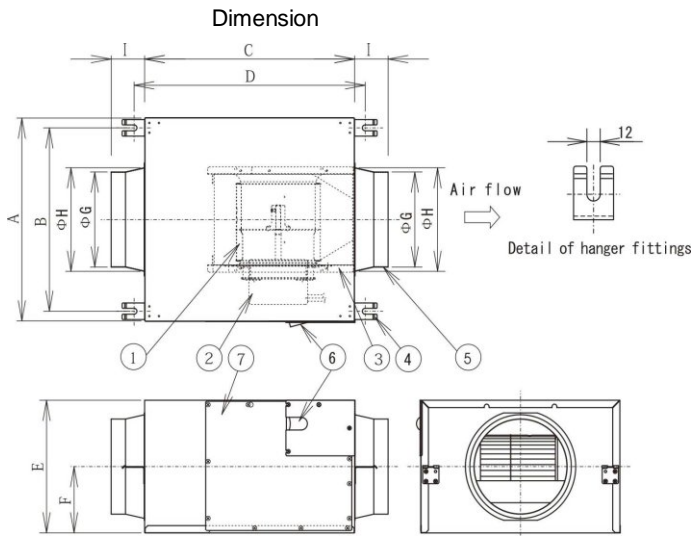
##### Specifications

Power Rating	V/Hz	220/50		230/50		240/50		220/60		230/60	
		Hi	Low	Hi	Low	Hi	Low	Hi	Low	Hi	Low
Air Volume	m <sup>3</sup> /h(±10%)	1700	1380	1720	1380	1750	1450	1650	1200	1700	1350
Static pressure	Pa	485	440	500	455	515	470	650	575	660	595
Noise Level	dB(A) +3dB,-7dB	41	38	42	39	44	40	41	39	42	40
Consumption	W(±15%)	345	265	350	270	370	290	425	300	467	334
Current	A(±15%)	1.63	1.23	1.65	1.25	1.67	1.28	2.02	1.41	2.08	1.46
Net Weight	kg	24									

## Specification Data Sheet

Issue date: 2009.05.22  
Revise date: 2009.06.19

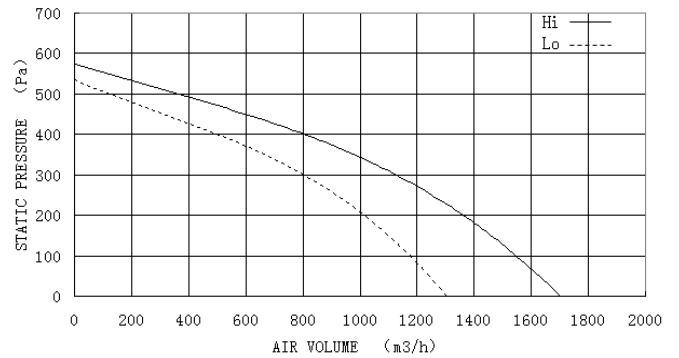
### Cabinet Fan Model No. FV-25NS3 12



#### Parts list

No.	Parts name	Q'ty	Material
1	Impeller	1	METAL
2	Motor	1	-
3	Fan casing	1	METAL
4	Hanger fitting	4	METAL
5	Adapter	2	METAL
6	Terminal cover	1	METAL
7	Inspection panel	1	METAL

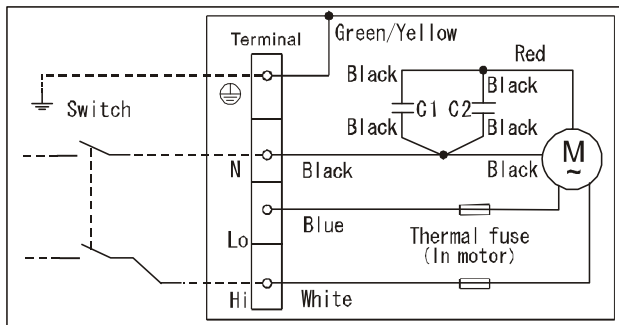
#### Air Volume - Static Pressure Curve



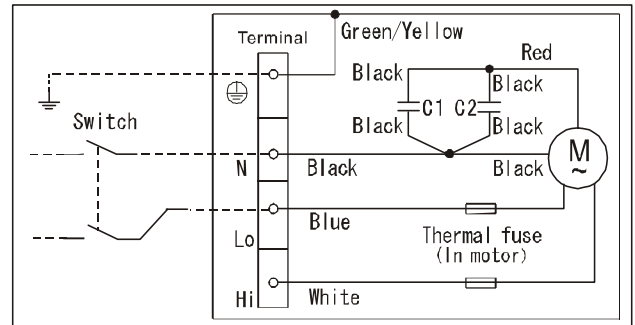
Unit: mm

A	B	C	D	E	F	G	H	I	CONNECTER DUCT DIMENSION
494	450	505	549	334	167	240	255	85	Φ 250

#### Wiring Diagram



Hi Speed



Lo Speed

#### Specifications

Power Rating	V/Hz	127/60	
		Hi	Lo
Air Volume	m <sup>3</sup> /h(±10%)	1700	1300
Static pressure	Pa	575	535
Noise Level	dB(A) +3dB,-7dB	42	35
Consumption	W(±15%)	445	320
Current	A(±15%)	3.57	2.56
Net Weight	kg	24	