

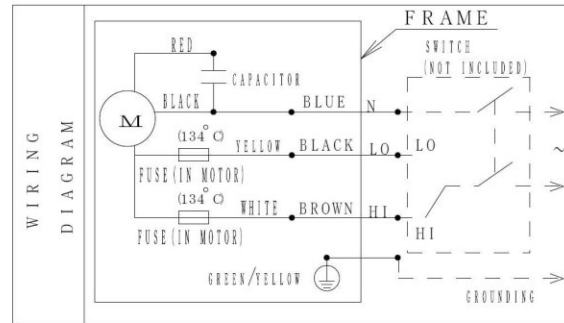
■ DIMENSIONS

Unit:mm

■ MAIN PARTS LIST

No.	Part Name	Material
1	Adapter assy.	Galvanized steel
2	Wire cover	PP
3	Power Cord	0.75mm ² X 4
4	Frame	Galvanized steel / black
5	Louver	ABS / white
6	Casing	PP
7	Blade	PP
8	Motor	-
9	Double orifice	PP

■ WIRING DIAGRAM

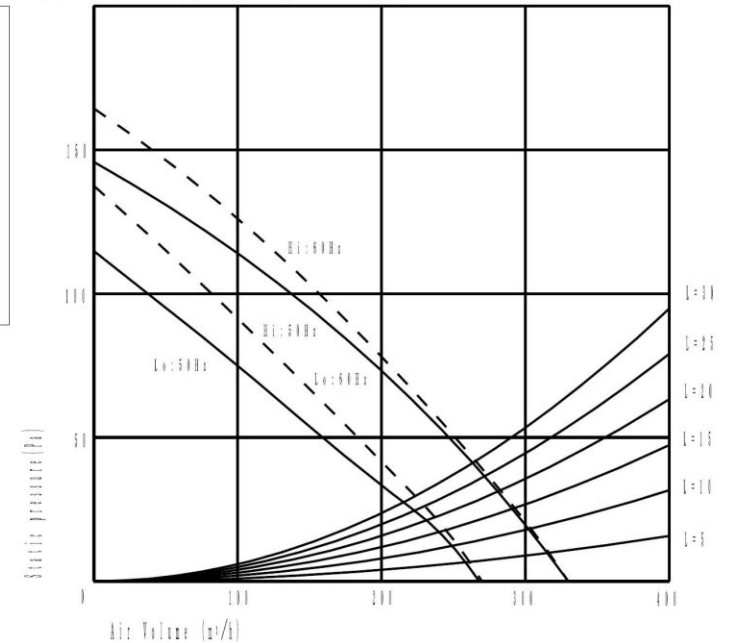


■ SPECIFICATIONS

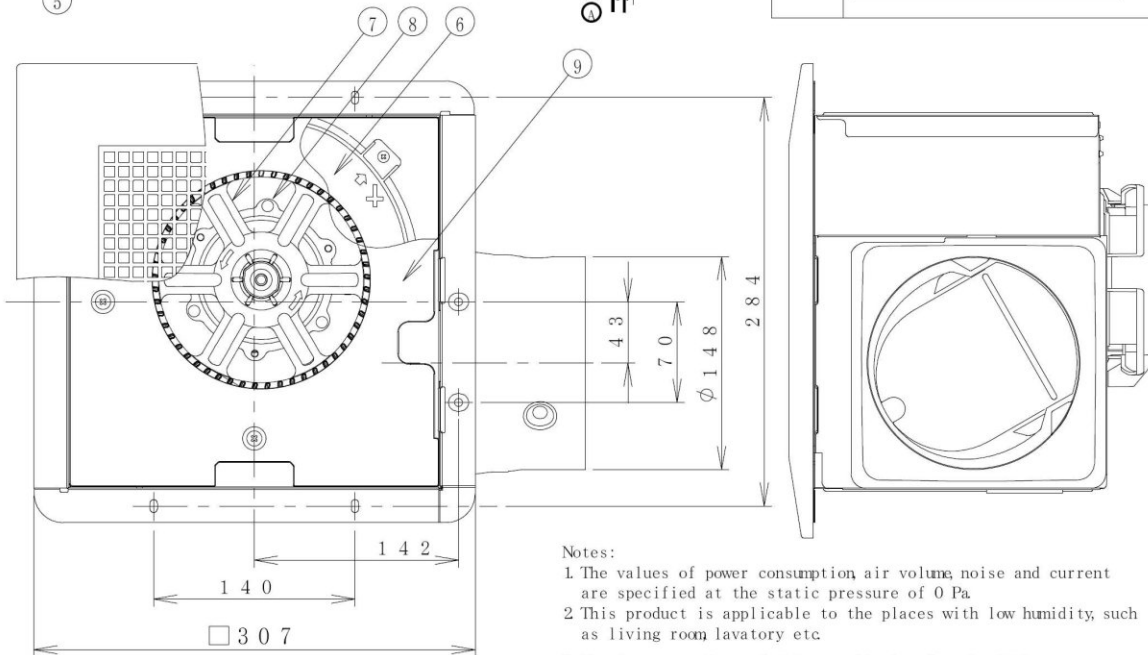
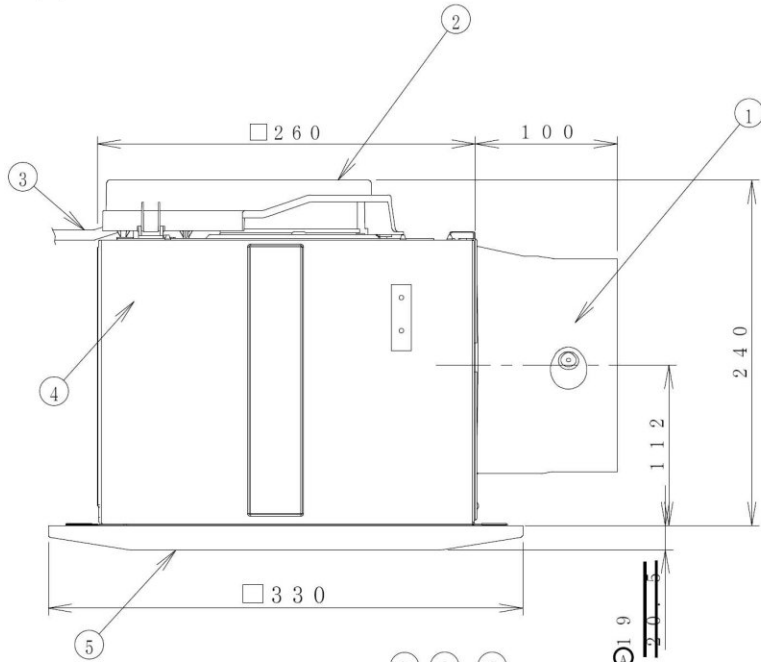
Power Rating	FV-27CH9 NAH/NAZ		FV-27CH9 ECH	
	1 Phase 220-240V ~ 50Hz / 220V ~ 60Hz	1 Phase 220V ~ 60Hz	1 Phase 220V ~ 60Hz	1 Phase 220V ~ 60Hz
Speed	Hi	Lo	Hi	Lo
Air Volume	m ³ /h ^{±10%}	330-360/330	260-290/270	345
Power Consumption	W ^{±5%}	28-34/33	23-27.5/26	36
Current	A ^{±5%}	0.13-0.14/0.16	0.11-0.12/0.14	0.17
Noise	dB(A) ^{±2}	34-36.5/34	30-32/31	35.5
Max static Pressure	Pa ^{±10%}	145/160	110/135	160
Weight	kg	4.4		
Ambient Temperature	-10°C up to 40°C			
Duct model	150 mm dia.			

This product is complied with IEC 60335-1&IEC 60335-2-80

■ AIR VOLUME-STATIC PRESSURE CURVE



Ⓐ Modify the dimension



Notes:

- The values of power consumption, air volume, noise, and current are specified at the static pressure of 0 Pa.
- This product is applicable to the places with low humidity, such as living room, lavatory, etc.
- The lowest surface of this ventilating fan should be mounted above 2.3m from the floor.
- Malaysia market: This fan should be installed so that the blades are more than 2.5m above the floor.
- The curve of air volume-static pressure are specified at 220V.

Product		Model	
Ceiling Mount Ventilating Fan		FV-27CH9 NAH/NAZ FV-27CH9 ECH	
Make Date	2008.6.7	Drawing No.	CMV27CH9NA
Modification date	2008.7.7	Modification No.	CMV27CH9NAA

Panasonic Ecology Systems Guangdong Co., Ltd.