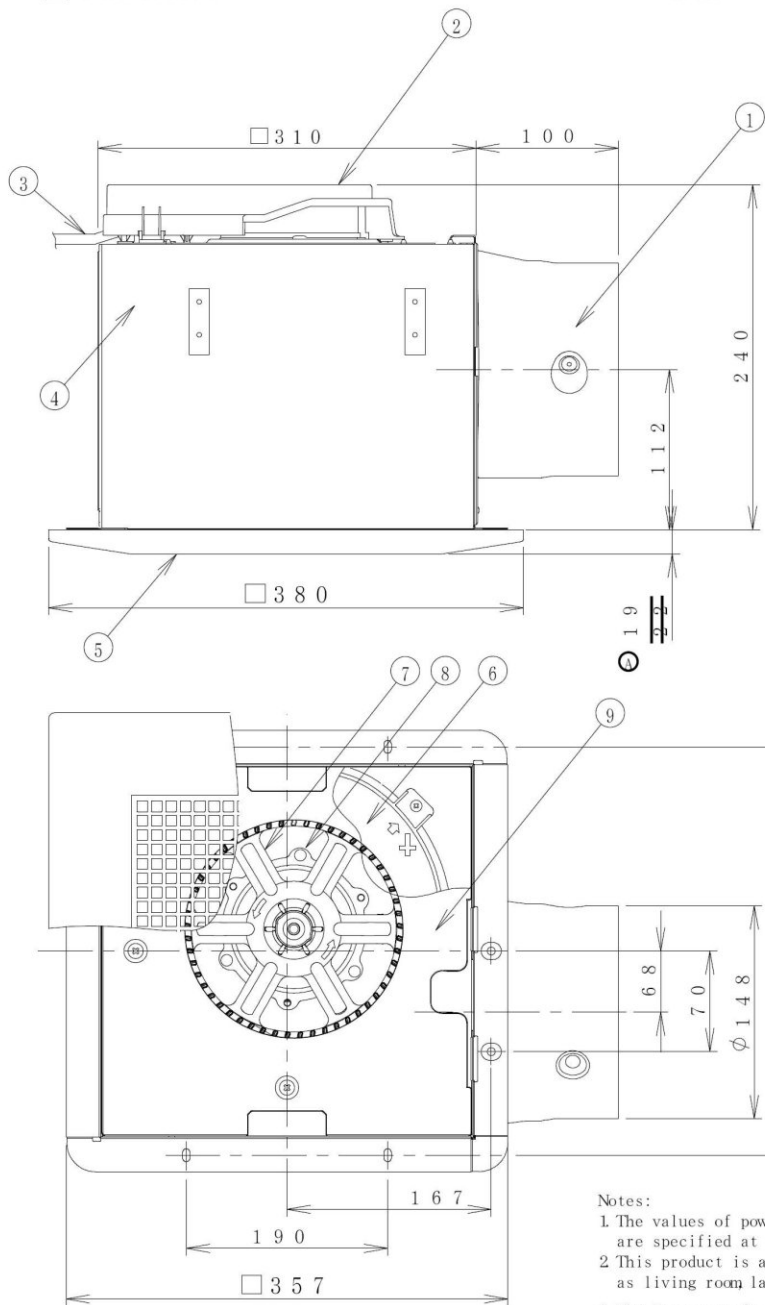


■ DIMENSIONS

Unit:mm



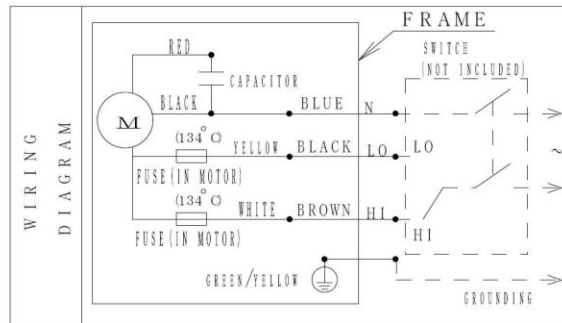
Notes:

1. The values of power consumption, air volume, noise and current are specified at the static pressure of 0 Pa.
2. This product is applicable to the places with low humidity, such as living room lavatory etc.
3. The lowest surface of this ventilating fan should be mounted above 2.3m from the floor.
4. Malaysia market: This fan should be installed so that the blades are more than 2.5m above the floor.
5. The curve of air volume-static pressure are specified at 220V.

■ MAIN PARTS LIST

No.	Part Name	Material
1	Adapter assy.	Galvanized steel
2	Wire cover	PP
3	Power Cord	0.75mm <sup>2</sup> X 4
4	Frame	Galvanized steel / black
5	Louver	ABS / white
6	Casing	PP
7	Blade	PP
8	Motor	-
9	Double orifice	PP

■ WIRING DIAGRAM

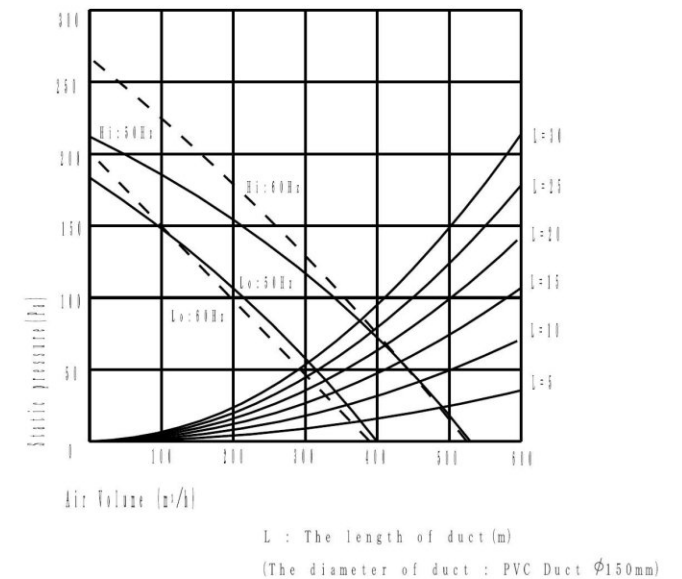


■ SPECIFICATIONS

Power Rating	FV-32CH9 NAH/NAZ		FV-32CH9 ECH		
	1 Phase 220-240V ~ 50Hz / 240V ~ 60Hz	1 Phase 220V ~ 60Hz	Hi	Lo	
Speed		Hi	Lo	Hi	Lo
Air Volume	m <sup>3</sup> /h*10%	530-580/525	400-450/390	545	410
Power Consumption	W*15%	55-64/61	45-53/47	68	51
Current	A*15%	0.26-0.28/0.29	0.23-0.24/0.25	0.30	0.27
Noise	dB (A) <sup>±2</sup>	41-43/40.5	34-37/33	41.5	34.5
Max static Pressure	Pa*10%	210/260	180/200	260	200
Weight	kg	5.6			
Ambient Temperature		-10 °C up to 40 °C			
Duct model		150 mm dia.			

This product is complied with IEC 60335-1&IEC 60335-2-80

■ AIR VOLUME-STATIC PRESSURE CURVE



Ⓐ Modify the dimension

Product		Model	
Ceiling Mount Ventilating Fan		FV-32CH9 NAH/NAZ FV-32CH9 ECH	
Make Date	2008.6.7	Drawing No.	CMV32H9NA
Modification date	2008.7.7	Modification No.	CMV32CH9NAA

Panasonic Ecology Systems Guangdong Co., Ltd.