

## Ventilating Fan Specifications

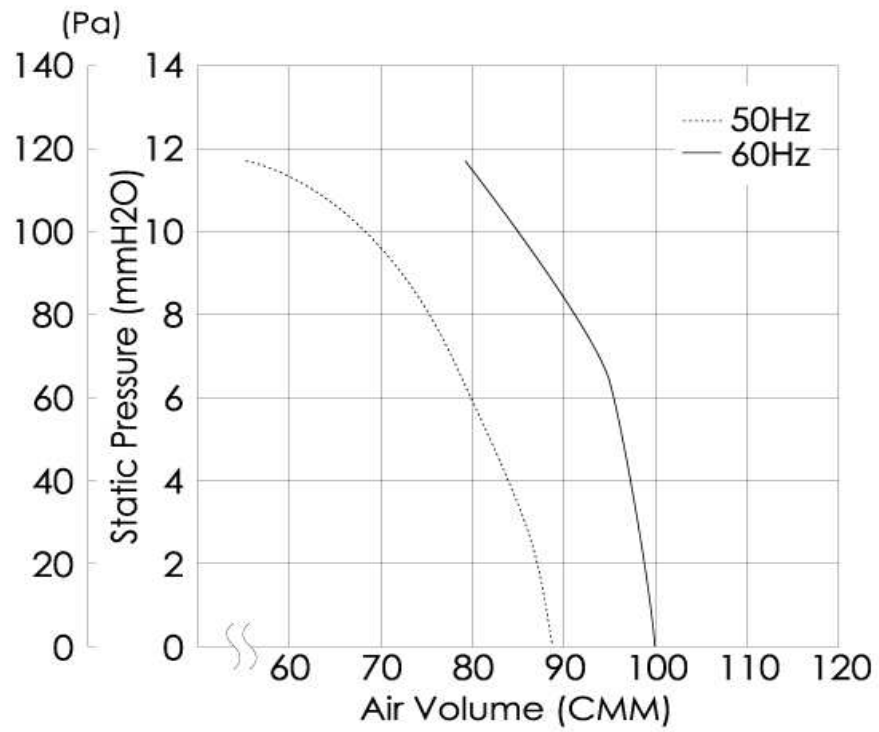
### Model FV-45GS4

		110V		120V		127V		220V		230V		240V
		50Hz	60Hz	50Hz	60Hz	50Hz	60Hz	50Hz	60Hz	50Hz	60Hz	50Hz
Air Volume	CMH $\pm$ 10%	5,310	5,940	5,370	6,120	5,460	6,270	5,400	6,300	5,430	6,330	5,460
Power Consumption	W $\pm$ 15%	224	322	236	335	253	355	227	325	235	337	241
Current	A $\pm$ 15%	2.30	2.90	2.30	2.80	2.40	2.80	1.20	1.50	1.20	1.50	1.20
Speed	R/M $\pm$ 10%	1,400	1,600	1,410	1,640	1,420	1,660	1,410	1,630	1,420	1,650	1,430
Starting Current	A	7.7	7.2	8.4	5.9	8.8	8.3	5.1	4.5	5.1	4.7	5.3
Noise	dB (A)	51	54	51	54	51	54	51	54	51	54	51

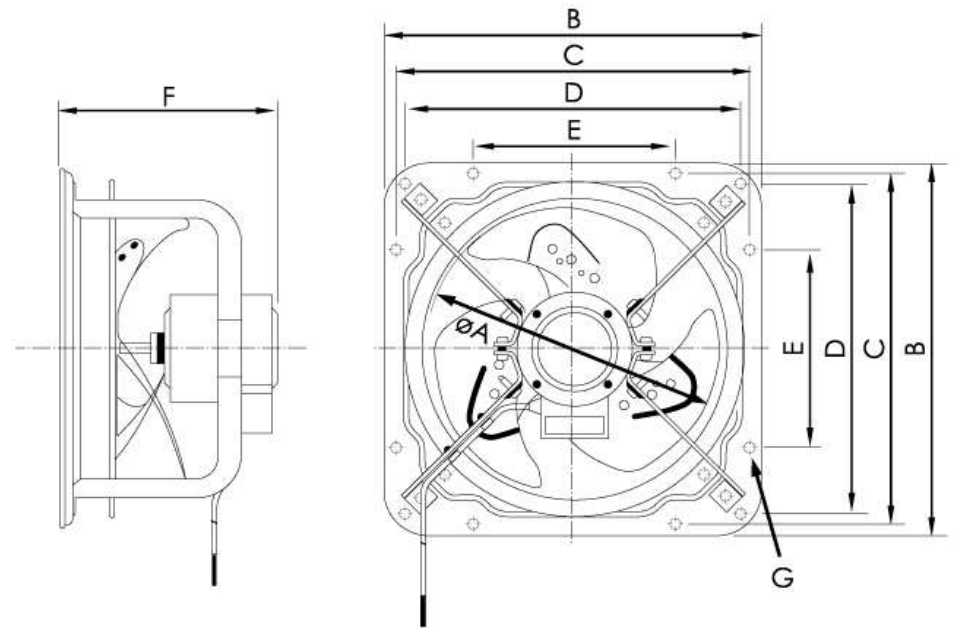
at 0mmAq. Static pressure.

- |                                |  |
|--------------------------------|--|
| 1. Power Rating -----          | 1 PASE AC 110-127V 50/60Hz<br>1 PASE AC 220-240V 50Hz. AC 220V-230V 60Hz |
| 2. Motor Type -----            | Capacitor start and run induction motor. Class E. 4 Poles                |
| 3. Blade Type -----            | Propeller fan  |
| 4. Ambient temperature -----   | - 10 to 50 deg.C   |
| 5. Insulation Resistance ----- | More than 1 meg ohm  |
| 6. Electric Strength -----     | AC 1500V 1 minute  |
| 7. Weight -----                | 19.0 Kg  |
| 8. Color -----                 | White  |

## Performance Data



## Dimension



FV-45GS4	A	B	C	D	E	F	G
	450	570	540	-	320	297	12