

Panasonic



Be Fresh All Day

Refresh Everyday



Supply Fan

FV-06PHP1



Achieve Indoor Air Quality (IAQ) by Supply Ventilation



By using supply fan, fresh air can be drawn from outdoor area into living space. Select an appropriate place to install the supply fan to ensure the air brought in is in good quality. In addition, the intake air can be purified before going into living space so as to minimize the harmful impacts of outdoor pollutants.



Benefit of Supply Ventilation

Outdoor pollutants in the air are blocked when passing through the filter

2nd Type Ventilation by Supply Air



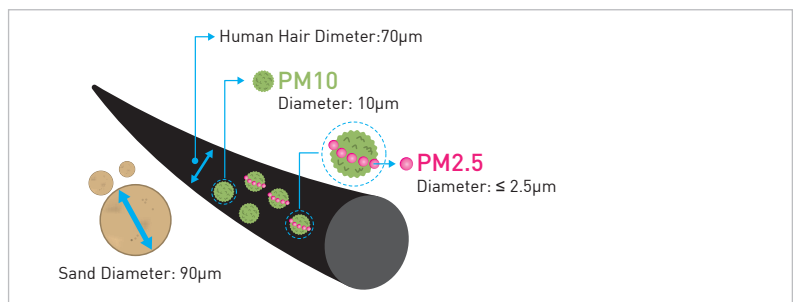
Outdoor Air is Much Polluted

PM_{2.5} SO₂ NO_x CO_x CH_x TSP PM₁

PM_{2.5} refers to dangerous particles of pollutants that are less than 2.5µm in diameter. These can be easily inhaled to lung and cause health issues.

Health Effects of PM_{2.5}:

- Easy to penetrate the thoracic cavity of respiratory system
- Increases respiratory and cardiovascular morbidity, such as aggravation of asthma and respiratory symptoms
- Increases the mortality rate caused by cardiovascular, respiratory diseases and lung cancer



Feature Highlights

PM2.5 Purification

The fan comes with a particle filter that can capture PM2.5 particles up to 98%. The outdoor fresh air is purified before being drawn into indoor area which brings you a fresh and clean living environment.



Easy Maintenance

Snap-in front louver makes filter cleaning and replacement at ease.

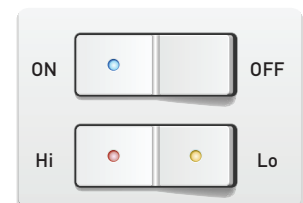


2-speed Selection

With the optional switch, Hi-Lo speed can be changed easily to fit different environments.



Power Supply Terminal



Switch
(not supplied)

Closable Front Panel

The front panel can be closed during rainy or windy day to prevent back draft of rainwater and wind from outside.



Panel Opened



Panel Closed

Stylish Design

Simple and flat design of the front panel harmonizes with most interior designs perfectly.

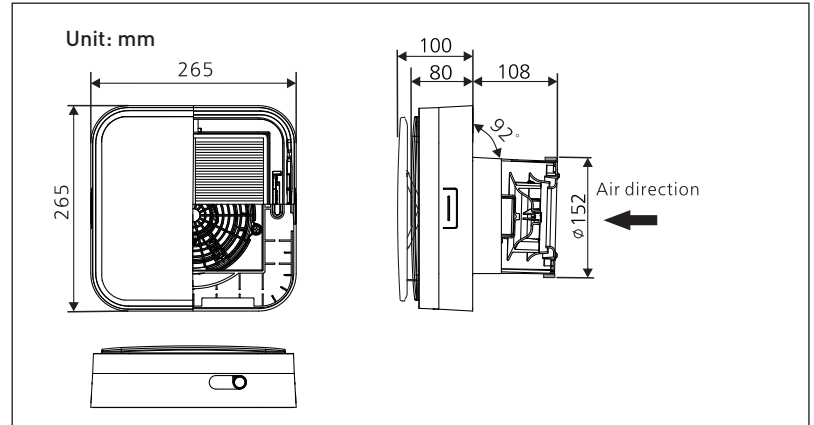


Supply Fan

FV-06PHP1



Dimensions



Features

- Particle filter captures PM2.5 particles effectively
- 2 speed selection
- Front panel can be closed to prevent back draft
- Well lubricated ball bearing for long life operation
- Elegant front panel fits most interior design

Specifications

Model No.	Voltage			Air Volume		Consumption	Noise	Weight	Installation Space [mm]
	[V]	[Hz]		[m ³ /h]	[CFM]	[W]	[dB(A)]	[kg]	
FV-06PHP1	220	50	Hi	63	37	7.5	36	1.8	Ø164 - Ø168
			Lo	32	19	3.2	25		

Test Condition

- The power consumption, air volume and noise are measured with static pressure of 0 Pa and the installed pipe length of 300 mm
- Noise value is the weighted sound pressure grade A, which is the central value measured by this company, its tolerance range is from +3 dB to -7 dB. The method to measure is as follows: in an anechoic chamber, measure noise value first 1 m away the left, right and front of the sample, then get the averaged value
- Air volume is the central value measured by this company with $\pm 10\%$ of tolerance range

Panasonic[®]

Panasonic Ecology Systems Co., Ltd.
<http://www.plshk.panasonic.hk>

*Actual colors may vary slightly from shown.
 *Specifications are subject to change without prior notice.

CATALOG NO.: P-THVF001

12.21