



**Product information**  
Heat pump web site will be opened in October 2022



**Technical documents**  
Download from PRO CLUB

## R32 HEAT PUMP INVERTER AIR CONDITIONERS 2022/2023

**HEAT PUMP** ||||

**Panasonic**

**Building Passion,  
Building Solutions.**  
Panasonic Air Conditioning Systems

We face a time in which "quality air" differentiates business. It's a time for Panasonic to fully display its strengths. Our ability to assemble and build superior systems isn't just due to the rich resources we have as a comprehensive electronics manufacturer, but also to Panasonic's 100 years of tradition, where each person thinks and acts on their own initiative while working in a team to reach further heights. We do not compromise. Each of our independent selves is a one stop solution. We face our customers' challenges together with our customers and do all that we can to build effective systems. As a true partner for our customers, we strive to always be at the forefront of business.

- Please read the Installation Instructions carefully before installing the unit, and the Operating Instructions before using it.
- Specifications are subject to change without prior notice.
- The contents of this catalogue are accurate as of May 30, 2022.
- Due to printing considerations, the actual colours may vary slightly from those shown.
- All graphics are provided merely for the purpose of illustrating a point.



Do not add or replace refrigerant other than the specified type. Manufacturer is not responsible for the damage and deterioration in safety due to usage of other refrigerant.

Authorised Dealer

PAC INVERTER HEAT PUMP ASIA August 2022



nanoeX



CONEX

INVERTER

R32  
REFRIGERANT

Panasonic Air-Conditioning Vietnam



QUALITY AIR FOR LIFE

# Product Lineup **HEAT PUMP**

- All indoor units are equipped with nanoe™ X technology (Mark 2) as standard
- New PZ3H5 Series can be used for both heating and cooling
- Use in-house manufactured compressor

Capacity [ Btu/h ]	18,000	21,000	24,000	34,100	43,000(1)	43,000(3)	48,000(1)	48,000(3)
<b>4-Way Cassette</b> nanoe™ X CONEX Generator Mark2	S-18PU3HB	S-2124PU3HB				S-3448PU3HB*		
<b>Adaptive Ducted</b> nanoe™ X CONEX Generator Mark2	S-18PF3HB	S-2124PF3HB				S-3448PF3HB*		
<b>Outdoor Unit</b> INVERTER R32	U-18PZ3H5	U-21PZ3H5	U-24PZ3H5	U-34PZ3H5	U-43PZ3H5	U-43PZ3H8*	U-48PZ3H5	U-48PZ3H8*

\* 3-phase model is also available.

## NEW /// 24-hour nanoe™ X Air Protection

Get 24 hours of quality air for you and your loved ones by turning nanoe™ X on using Panasonic Comfort Cloud anywhere, anytime. nanoe™ X functions in the cooling mode and is maintenance-free, helping you enjoy cleaner air while keeping your costs down.

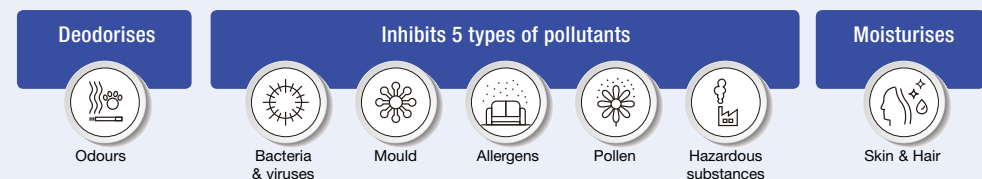


Please refer to the nanoe™ X website.



## 7 Effects of nanoe™ X : Creating Cleaner Environments

nanoe™ inhibits 5 types of pollutants, deodorises and moisturises thanks to the action of hydroxyl radicals contained in water.



nanoe™ X Effectiveness Proven in Large Space  
Access to the evidence page of nanoe™ X effect

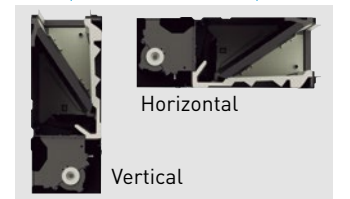
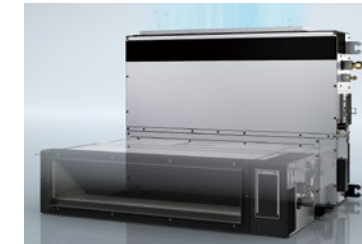
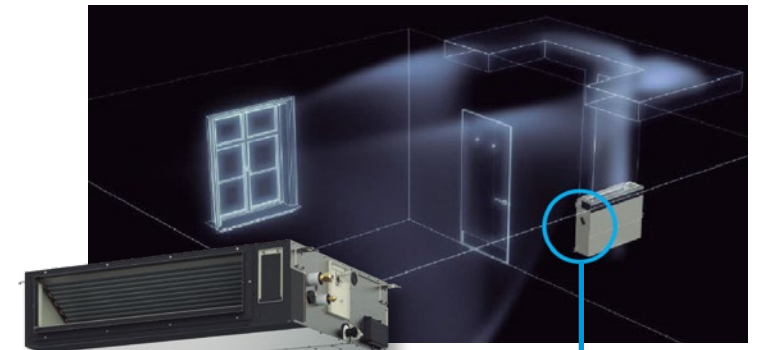
NEW ///

## Flexible Installation Adaptive Ducted

New Adaptive Ducted units of Heat Pump can be mounted not only horizontally but also vertically without the need for alterations. Our groundbreaking drain pan design delivers a new level of flexibility in an industry-leading vertical installation.



Product information Website will be opened in October 2022



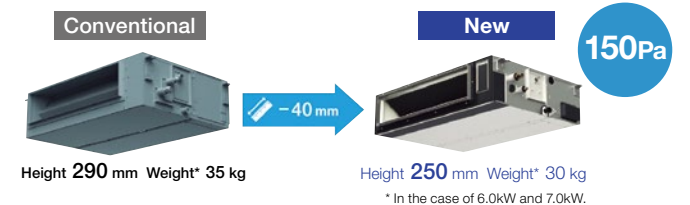
The drain pan can be used in both installations.

## Compact Body with Powerful 150 Pa ESP

The indoor units have also been completely renewed, offering a 40 mm height reduction to only 250 mm\* and a weight reduction of up to 14%, all while maintaining the same powerful 150 Pa.

\* Compared to conventional model.

Space saving 250 mm height

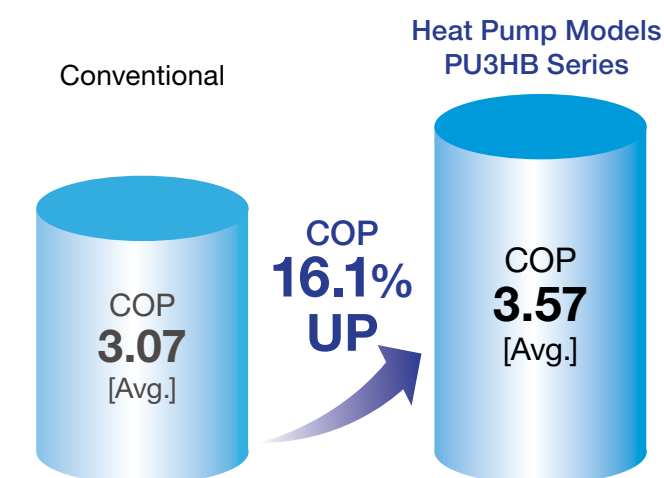


NEW ///

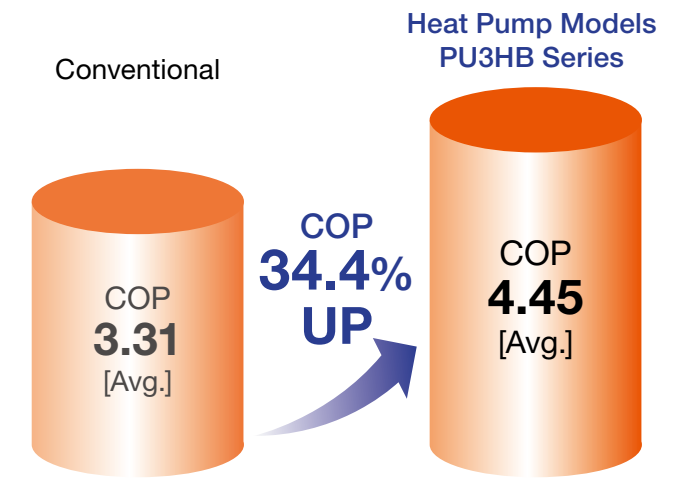
## High Energy Efficiency to Save Power Consumption

For PAC HEAT PUMP models, the coefficient of performance has been especially improved to reduce power consumption.

### Cooling COP Comparison



### Heating COP Comparison



\*Compared with 4-way cassette at same range capacity COP (2.5/3.0/4.0/5.0/6.0HP)

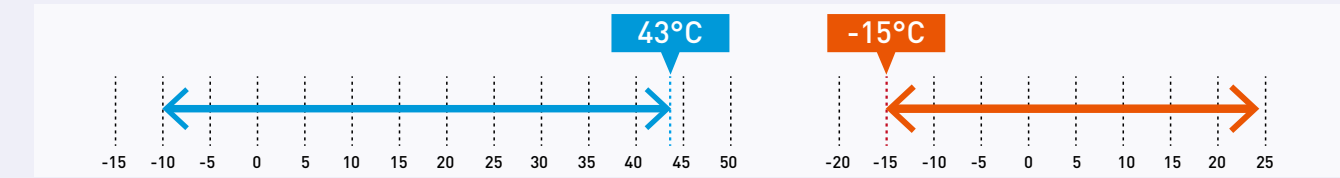


# Wide Operation Range HEAT PUMP Model

## Cooling & Heating Even in Difficult Ambient Conditions

The PAC HEAT PUMP models are capable of working even in the most difficult ambient conditions. Cooling operation is possible when the outdoor temperature is as low as -10°C\*1 or as high as 43°C\*2. The heating operation can also be utilized at outdoor temperatures down to -15°C when the outdoor temperature is as low as -15°C.

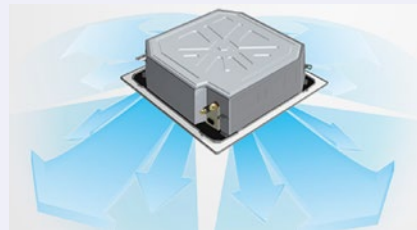
\*1 It is possible to operate at -10°C only in computer rooms with a piping length of 30m or less.  
\*2 Please check technical tables for further details on operating temperature.



# Advantages of New 4-way Cassette

## Compact, Modern & Flat Panel Design

Featuring uniform cooling, easy installation, and with a sleek exterior, this unit is the perfect match for all commercial applications.



### Powerful Airflow

Thanks to its compact design the Twisted 3D Blade Fan increases airflow.

### 360° Comfortable Airflow

Air coming out of the centre of the discharge outlets travels farther. Air is discharged across a wide area from the four sides of the unit.

### Wide Flap

A wider main flap and sub flap reduce turbulence and increase airflow. Also, a wider angle jetting port allows airflow to reach as far as five meters.

\* 4-Way Cassette : 3448PU type

# Advantages for Outdoor Unit

## 34,100k Btu/h Comparison\*

Height 1,340 mm  
996 mm  
Weight 110 kg  
83 kg

New Model  
344 mm Shorter  
27 kg Lighter

980 mm  
370 mm

\* Comparison between U-34PZ3H5 and CU-B34DBE5



## Compact, Space-saving Design

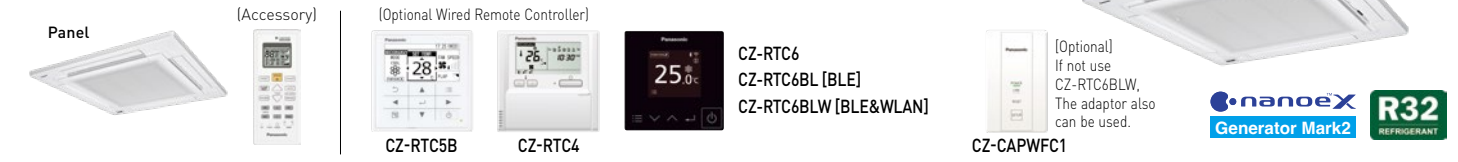
The ingenious design allows for a more compact outdoor unit that fits into any space and layout.

## In-house Manufactured Compressor & R32 Refrigerant

All Panasonic heat exchangers feature our Blue Fin technology, which offers corrosion resistance. They also use an in-house manufactured compressor, and next-generation R32 refrigerant with low global warming potential.

# 4-WAY CASSETTE

- Industry-leading powerful, 360° wide & comfortable airflow.
- The drain pump can pump water up to a height of 850 mm, making drain pipe layout easy.



Capacity [Btu/h Phase]		17,100	20,500	24,200	34,100	42,700	47,800	47,800 [3]	47,800
Power Source	V/Phase Hz	220-240V, 10Phase - 50Hz		220-240V, 10Phase - 50Hz		220-240V, 10Phase - 50Hz		220-240V, 10Phase - 50Hz	
Indoor Unit		S-18PU3HB	S-2124PU3HB	S-2124PU3HB	S-3448PU3HB	S-3448PU3HB	S-3448PU3HB	S-3448PU3HB	S-3448PU3HB
Outdoor Unit		U-18PZ3H5	U-21PZ3H5	U-24PZ3H5	U-34PZ3H5	U-34PZ3H5	U-34PZ3H5	U-34PZ3H5	U-34PZ3H5
Panel		CZ-RTC5B	CZ-RTC4	CZ-RTC6	CZ-RTC6BL [BLE]	CZ-RTC6BLW [BLE&WLAN]	CZ-CAPWFC1		
Cooling Capacity: Rated [Min-Max]		17,100 [5.00-11.5]	20,500 [6.00-11.8]	24,200 [6.80-12.6]	34,100 [10.00-16.1]	42,700 [10.90-16.1]	47,800 [11.300-15.0]	47,800 [11.300-15.0]	47,800 [11.300-15.0]
Heating Capacity: Rated [Min-Max]		17,100 [5.00-11.5]	20,500 [6.00-11.8]	24,200 [6.80-12.6]	34,100 [10.00-16.1]	42,700 [10.90-16.1]	47,800 [11.300-15.0]	47,800 [11.300-15.0]	47,800 [11.300-15.0]
Current: Rated [Max]		5.95-5.45 [10.5]	7.5-6.9 [13.1]	10.1-9.25 [14.8]	13.1-12.0 [27.9]	16.9-15.5 [31.9]	5.65-5.15 [12.9]	16.2-14.8 [32.9]	7.00-6.40 [13.4]
Power Input: Rated [Min-Max]		1.28 [0.24-1.75]	1.57 [0.34-2.36]	2.09 [0.54-2.78]	2.42 [0.56-4.00]	3.49 [0.60-4.80]	3.49 [0.60-4.80]	4.34 [0.62-5.50]	4.34 [0.62-5.50]
CSPF		5.80	6.91	5.55	6.17	6.23	6.23	5.97	5.97
COP/EER	Cooling	3.91	3.82	3.4	3.82	3.58	3.58	3.23	3.23
COP/EER	Heating	4.63	4.48	4.23	4.93	4.43	4.18	4.18	4.18
Indoor Unit									
Air Volume	Cooling	m³/min[H/M/L]	16.5/13.5/11.5	21.0/16.0/13.0	22.0/16.0/13.0	36.0/26.0/18.0	37.0/27.0/19.0	38.0/29.0/20.0	38.0/29.0/20.0
Air Volume	Heating	m³/min[H/M/L]	16.5/13.5/11.5	21.0/16.0/13.0	22.0/16.0/13.0	36.0/26.0/18.0	37.0/27.0/19.0	38.0/29.0/20.0	38.0/29.0/20.0
Sound Pressure Level	Cooling	dB [A] [H/M/L]	32/29/27	36/31/28	37/31/28	45/38/32	46/39/33	47/40/34	47/40/34
Sound Power Level	Cooling	dB [A] [H/M/L]	37/31/27	40/34/27	41/34/27	48/39/32	49/40/33	50/41/34	50/41/34
Dimension	Indoor [HxWxD]	mm	256 x 840 x 840	256 x 840 x 840	256 x 840 x 840	319 x 840 x 840	319 x 840 x 840	319 x 840 x 840	319 x 840 x 840
Net Weight	Indoor	kg	19	20	20	25	25	25	25
Outdoor Unit									
Sound Pressure Level	Cooling	dB [A] [H/L]	66/-	68/-	69/-	75/-	75/-	76/-	76/-
Sound Power Level	Cooling	dB [A] [H/L]	64/-	66/-	67/-	73/-	73/-	74/-	74/-
Dimension	Outdoor [HxWxD]	mm	619 x 824 x 299	695 x 875 x 320	695 x 875 x 320	996 x 980 x 370	996 x 980 x 370	996 x 980 x 370	996 x 980 x 370
Piping Connection	Gas Pipe	mm [inch]	12.70 [1/2]	12.70 [1/2]	15.88 [5/8]	15.88 [5/8]	15.88 [5/8]	15.88 [5/8]	15.88 [5/8]
Pipe Length	Min-Max	m	3-20	3-40	3-40	5-50	5-50	5-50	5-50
Elevation Difference [ODU Higher]	Max	m	15	30	30	30	30	30	30
Maximum Chargeless Length	Max	m	7.5	30	30	30	30	30	30
Additional Gas	g/m		15	15	17	45	45	45	45
Operation Range, Outdoor	Cooling [Min-Max] °C		-10-43	-10-43	-10-43	-10-43	-10-43	-10-43	-10-43
	Heating [Min-Max] °C		-15-24	-15-24	-15-24	-15-24	-15-24	-15-24	-15-24

\* Specifications are subject to change without notice. Please refer to technical documents for more details. \* The sound pressure level is measured in accordance with JIS C 9612 and JIS B 8616.

# ADAPTIVE DUCTED

- Air intake from rear as standard. Industry-leading horizontal and vertical design.
- Powerful 150Pa ESP and space saving 250 mm height, filter included.
- Built-in drain pump and selectable air inlet position (bottom and rear).



Capacity [Btu/h Phase]		15,700	19,400	23,200	32,400	41,300	47,800	47,800 [3]	47,800
Power Source	V/Phase Hz	220-240V, 10Phase - 50Hz		220-240V, 10Phase - 50Hz		220-240V, 10Phase - 50Hz		220-240V, 10Phase - 50Hz	
Indoor Unit		S-18PF3HB	S-2124PF3HB	S-2124PF3HB	S-3448PF3HB	S-3448PF3HB	S-3448PF3HB	S-3448PF3HB	S-3448PF3HB
Outdoor Unit		U-18PZ3H5	U-21PZ3H5	U-24PZ3H5	U-34PZ3H5	U-34PZ3H5	U-34PZ3H5	U-34PZ3H5	U-34PZ3H5
Cooling Capacity: Rated [Min-Max]		15,700 [5.00-11.5]	19,400 [6.80-12.6]	23,200 [8.90-14.8]	32,400 [10.20-16.1]	41,300 [10.90-16.1]	47,800 [11.300-15.0]	47,800 [11.300-15.0]	47,800 [11.300-15.0]
Heating Capacity: Rated [Min-Max]		15,700 [5.00-11.5]	19,400 [6.80-12.6]	23,200 [8.90-14.8]	32,400 [10.20-16.1]	41,300 [10.90-16.1]	47,800 [11.300-15.0]	47,800 [11.300-15.0]	47,800 [11.300-15.0]
Current: Rated [Max]		6.70-6.10 [10.5]	7.45-6.85 [13.1]	9.95-9.15 [14.8]	13.1-12.0 [27.9]	16.4-15.1 [31.9]	5.75-5.25 [12.9]	16.4-15.1 [31.9]	5.75-5.25 [12.9]
Power Input: Rated [Min-Max]		1.44 [0.32-1.92]	1.61 [0.38-2.40]	2.14 [0.57-2.86]	2.46 [0.59-4.84]	3.54 [0.63-4.90]	3.54 [0.63-4.90]	4.24 [0.65-5.86]	4.24 [0.65-5.86]
CSPF		4.92	6.20	5.06	5.90	5.51	5.44	5.44	5.44
COP/EER	Cooling	3.19	3.54	3.18	3.57	3.40	3.16	3.16	3.16
COP/EER	Heating	3.62	4.04	4.00	4.09	3.56	3.76	3.76	3.76
Indoor Unit									
Air Volume	Cooling	m³/min[H/M/L]	16.0/15.0/12.0	21.0/19.0/15.0	21.0/19.0/15.0	32.0/26.0/21.0	34.0/29.0/23.0	36.0/32.0/25.0	36.0/32.0/25.0
Air Volume	Heating	m³/min[H/M/L]	16.0/15.0/12.0	21.0/19.0/15.0	21.0/19.0/15.0	32.0/26.0/21.0	34.0/29.0/23.0	36.0/32.0/25.0	36.0/32.0/25.0
Sound Pressure Level	Cooling	dB [A] [H/M/L]	34/30/25	30/26/23	30/26/23	33/29/25	35/31/27	39/35/29	39/35/29
Sound Power Level	Cooling	dB [A] [H/M/L]	37/31/27	34/29/25	34/29/25	37/31/27	39/35/29	42/38/32	42/38/32
Dimension	Indoor [HxWxD]	mm	250 x 800 x 730	250 x 1,000 x 730	250 x 1,000 x 730	250 x 1,400 x 730	250 x 1,400 x 730	250 x 1,400 x 730	250 x 1,400 x 730
Net Weight	Indoor	kg	25	30	30	39	39	39	39
Outdoor Unit									
Sound Pressure Level	Cooling	dB [A] [H/L]	68/-	68/-	69/-	75/-	75/-	76/-	76/-
Sound Power Level	Cooling	dB [A] [H/L]	66/-	66/-	67/-	73/-	73/-	74/-	74/-
Dimension	Outdoor [HxWxD]	mm	619 x 824 x 299	695 x 875 x 320	695 x 875 x 320	996 x 980 x 370	996 x 980 x 370	996 x 980 x 370	996 x 980 x 370
Piping Connection	Gas Pipe	mm [inch]	12.70 [1/2]	12.70 [1/2]	15.88 [5/8]	15.88 [5/8]	15.88 [5/8]	15.88 [5/8]	15.88 [5/8]
Pipe Length	Min-Max	m	3-30	3-40	3-40	5-50	5-50	5-50	5-50
Elevation Difference [ODU Higher]	Max	m	15	30	30	30	30	30	30
Maximum Chargeless Length	Max	m	10	30	30	30	30	30	30
Additional Gas	g/m		15	15	17	45	45	45	45
Operation Range, Outdoor	Cooling [Min-Max] °C		-10-43	-10-43	-10-43	-10-43	-10-43	-10-43	-10-43
	Heating [Min-Max] °C		-15-24	-15-24	-15-24	-15-24	-15-24	-15-24	-15-24

\* Specifications are subject to change without notice. Please refer to technical documents for more details. \* The sound pressure level is measured in accordance with JIS C 9612 and JIS B 8616.

# NEW Smart Comfort with CONEX

CONEX offers IoT integration that connects directly to a variety of apps for next-generation solutions. Easy control and access for end users, installers, and service partners with just one remote.

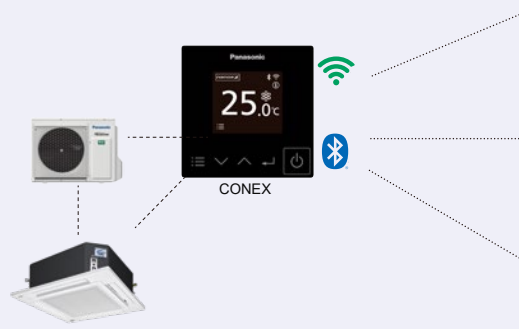


Please refer to the CONEX website.



## New CONEX Control

New smart design with built-in BLE & WLAN model.



### Comfort Cloud-End User

High level control and energy monitoring via WLAN and cloud giving access from anywhere anytime.



### H&C Control App-End User & Installer

H&C Control App makes complex initial set-up easy and allows installers to respond swiftly to clients' requests via Bluetooth.



### H&C Diagnosis App-Service Partner

Provides the service partner with detailed operational data, for in-depth analysis and optimising the system.



# Remote Controller Information

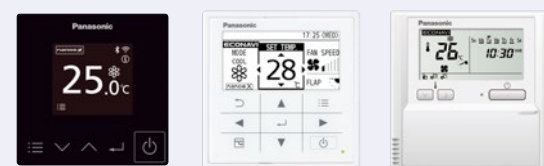
Compatibility Table			
CONEX Type	CZ-RTC6BLW Built-in BLE & WLAN	CZ-RTC6BL Built-in BLE	CZ-RTC6
App			

## Wireless Remote Controller

\* For 4-Way Cassette



## Wired Remote Controller



CZ-RTC6BLW  
CZ-RTC6BL  
CZ-RTC6

CZ-RTC5B

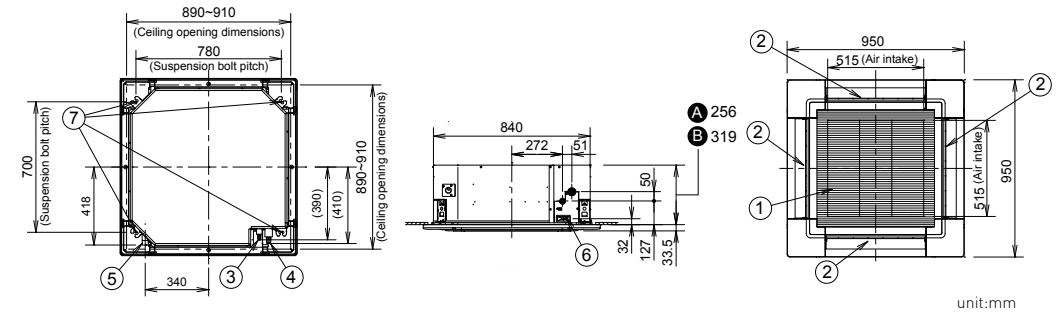
CZ-RTC4

## 4-WAY CASSETTE NEW Dimensions

- A S-18PU3HB/S-2124PU3HB
- B S-3448PU3HB

- ① Air intake
- ② Discharge outlet
- ③ Refrigerant tubing (liquid tube)
- ④ Refrigerant tubing (gas tube)
- ⑤ Drain tube connection port VP25 (outer dia. ø32)
- ⑥ Power supply port
- ⑦ Suspension bolt hole (4-12×30 elongated hole)

<Filter dimension> 520 x 520 x 15



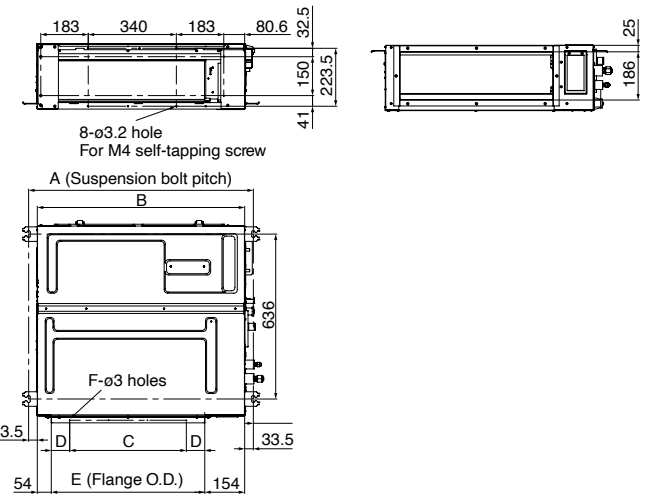
unit:mm

## ADAPTIVE DUCTED NEW Dimensions

S-18PF3HB/S-2124PF3HB/S-3448PF3HB

Detailed dimensions of indoor unit

Type	A mm	B mm	C mm	D mm	E mm	F Qty
1821	867	800	450 (Pitch 150 × 3)	71	592	12
2430	1,067	1,000	750 (Pitch 150 × 5)	21	792	16
3448	1,467	1,400	1,050 (Pitch 150 × 7)	71	1,192	20

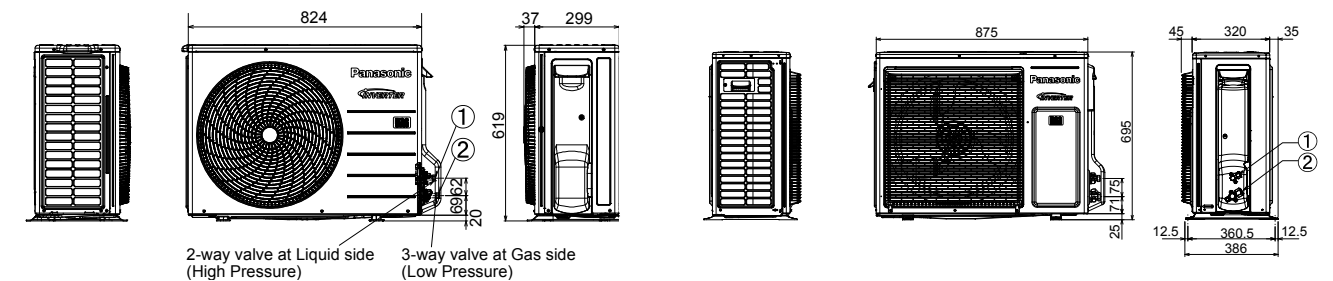


unit:mm

## OUTDOOR UNITS NEW Dimensions

U-18PZ3H5

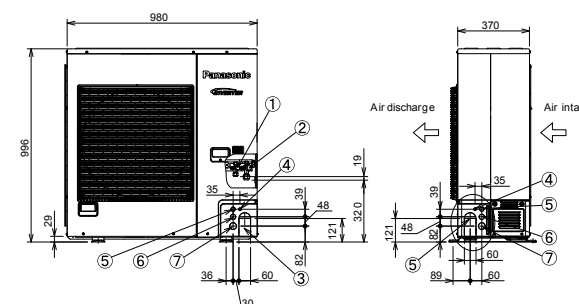
U-21PZ3H5/U-24PZ3H5



- ① Refrigerant tubing (liquid tube), flared connection (Ø6.35)
  - ② Refrigerant tubing (gas tube), flared connection (Ø12.70)
- \*Mounting hole (4-R6.5), anchor bolt : M10

- ① Refrigerant tubing (liquid tube), flared connection (Ø9.52)
  - ② Refrigerant tubing (gas tube), flared connection (Ø15.88)
- \*Mounting hole (4-R6.5), anchor bolt : M10

U-34PZ3H5/U-43PZ3H5/U-43PZ3H8/U-48PZ3H5/U-48PZ3H8



- ① Refrigerant tubing (liquid tube), flared connection (Ø9.52)
  - ② Refrigerant tubing (gas tube), flared connection (Ø15.88)
  - ③ Refrigerant tubing port
  - ④ Electrical wiring port (Ø13)
  - ⑤ Electrical wiring port (Ø22)
  - ⑥ Electrical wiring port (Ø27)
  - ⑦ Electrical wiring port (Ø35)
- \*Mounting hole (4-R6.5), anchor bolt : M10

unit:mm