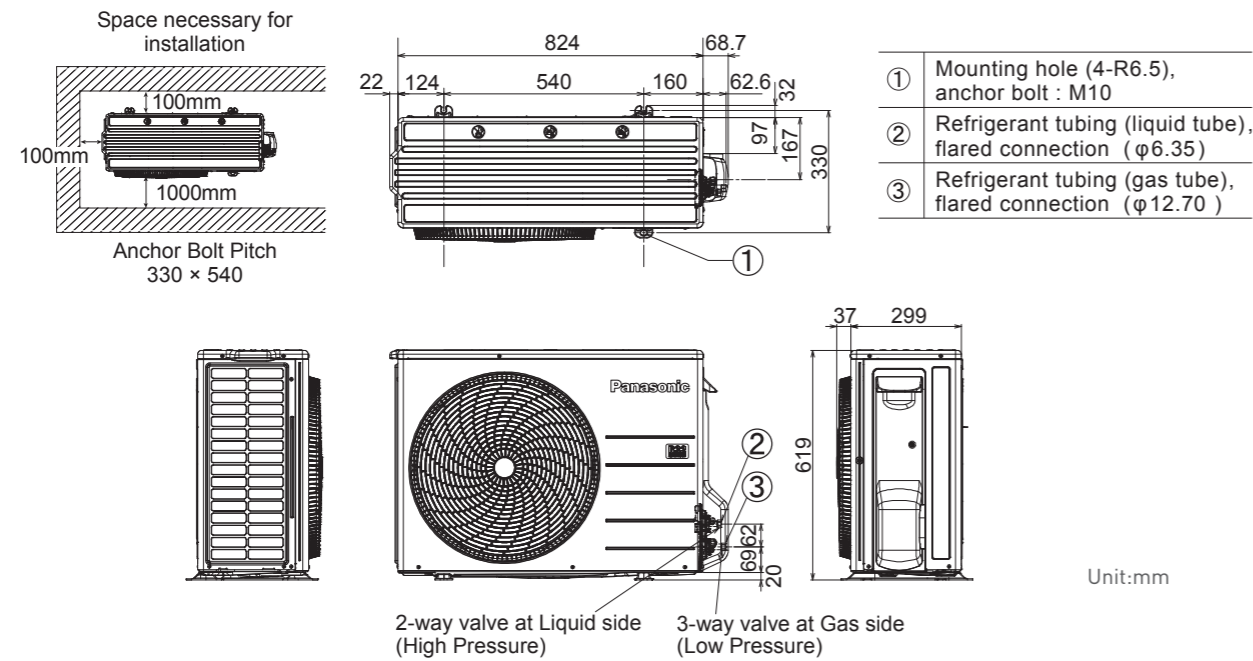
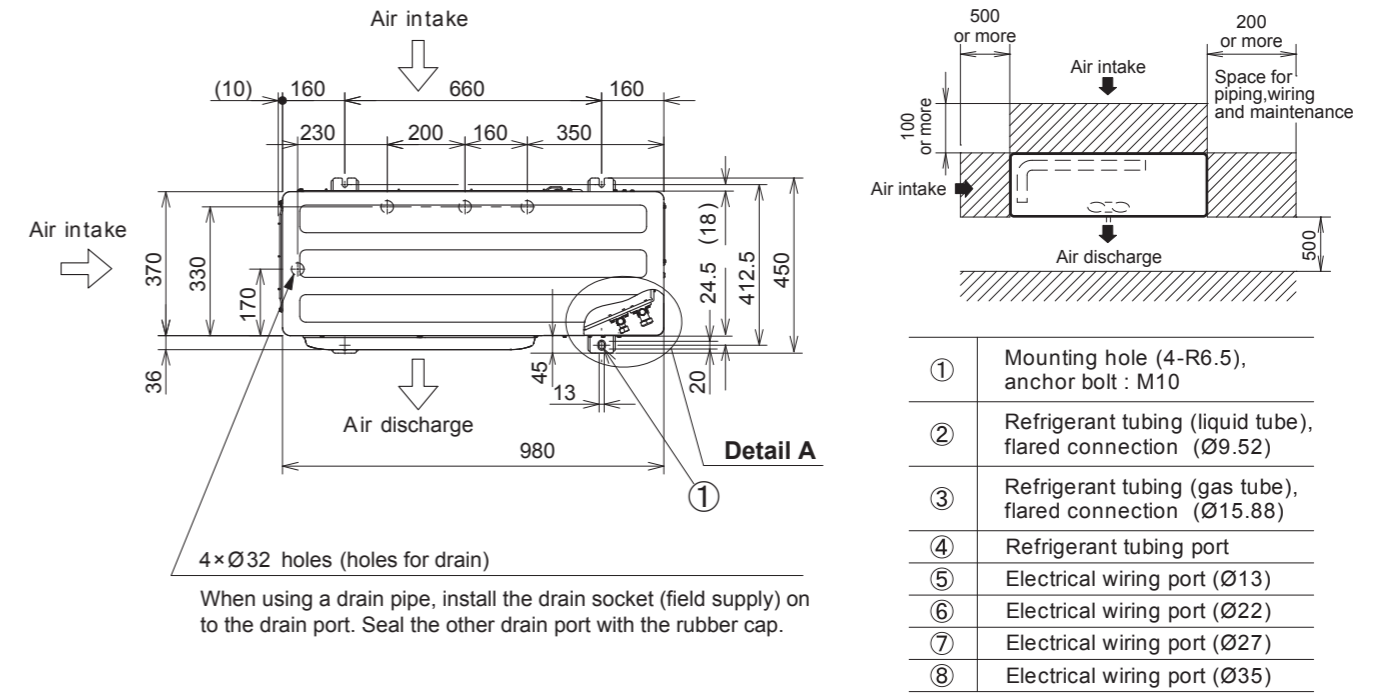


## Dimensions (U-19PN1H5 / U-25PN1H5) 1-phase



## Dimensions (U-42PN1H8 / U-50PN1H8) 3-phase



## Dimensions (U-30PN1H5) 1-phase (U-30PN1H8 / U-36PN1H8) 3-phase

