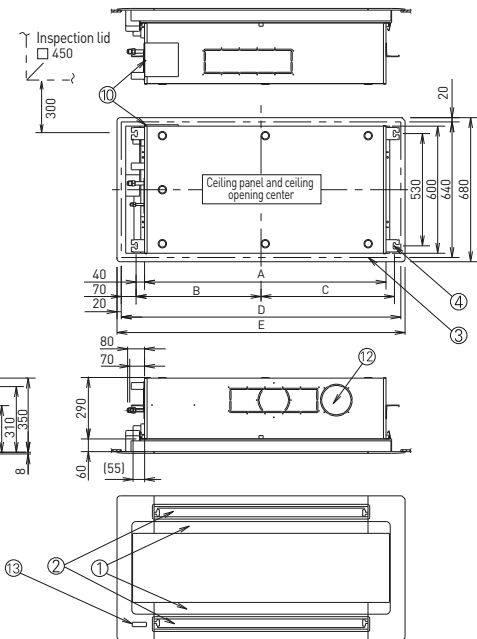
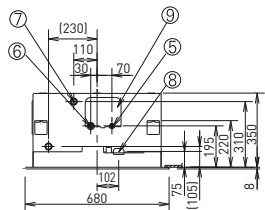
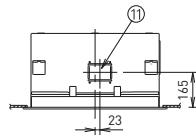


L1 TYPE 2-WAY CASSETTE Dimensions

- 1 Air intake
- 2 Air outlet
- 3 Ceiling opening dimensions
- 4 Suspension fitting (notch: 12 mm)
- 5 Refrigerant piping (liquid pipes)
- 6 Refrigerant piping (gas pipes)
- 7 Drain connection VP25 (outer diameter ϕ 32)
- 8 Inlet for option cord between power supply and unit
- 9 Drain pan, drain pump inspection lid
- 10 Drain pump inspection lid
- 11 Round flange (field supply) mounting part (fresh air inlet ϕ 125)
- 12 Discharge duct (field supply) mounting part (installation possible only on the right side)
- 13 Wireless remote controller (option) signal receiver installation part



	22~56 type	73 type
A	840	1,140
B	440	590
C	480	630
D	1,020	1,320
E	1,060	1,360
③ Ceiling opening dimensions	1,020x640	1,320x640
⑤ Refrigerant piping (liquid pipes)	ϕ 6.35	ϕ 9.52
⑥ Refrigerant piping (gas pipes)	ϕ 12.7	ϕ 15.88
⑫ Duct connection port (only on the right side)	⑫x 1 pc.	⑫x 2 pc.



unit: mm