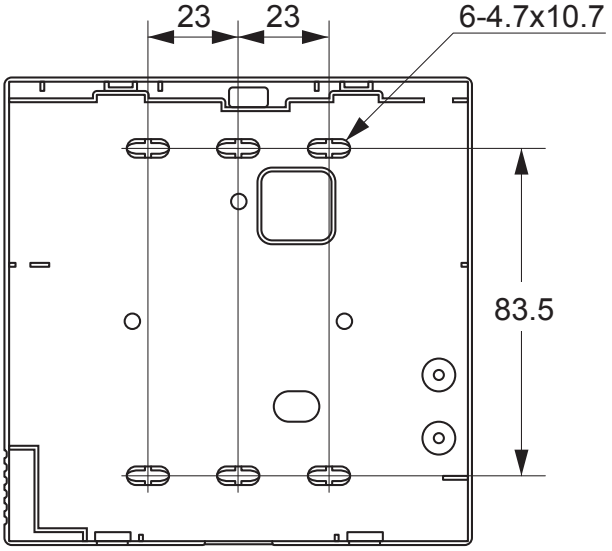
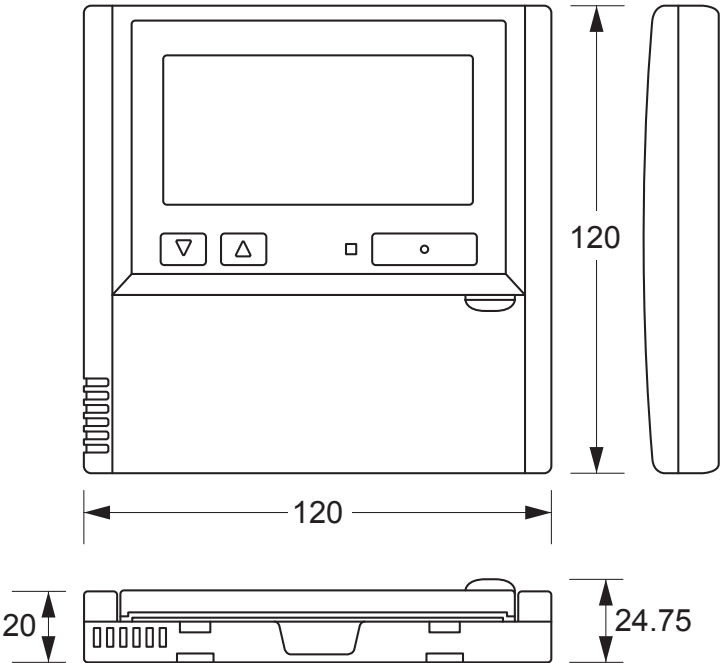
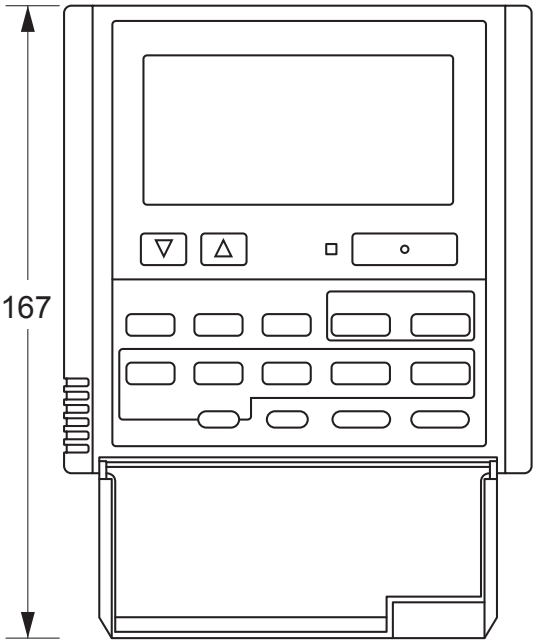


Dimensions



(mm)