








FOR OVERSEA MARKET

秘 Confidential  
保存10年 Keep for 10Years

# PRODUCT SPECIFICATION

MODEL No.	<h2 style="margin: 0;">FV-30BG3</h2> <p style="margin: 0;">_ 2 _ Pages (Without cover)</p>
-----------	--

QA Department	R&D Centre					
	Technical Regulation Department	Intellectual Property Department	Planning Department	Product Design Department		
Check	Check	Check	Check	Approval	Check	Make
 2022/5/25	 / /	 22/5/25	 22/5/25	 15/25	 / /	 / /

Sale and Planning Departments		
PESHK Promotion	IAQ BU Product Planning	PESHK BD
Receive	Check	Check
/ /	/ /	/ /

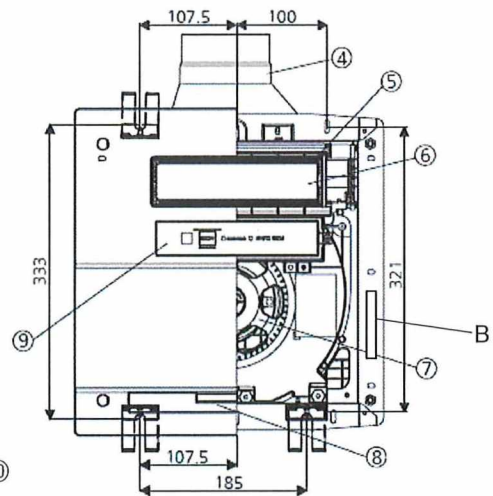
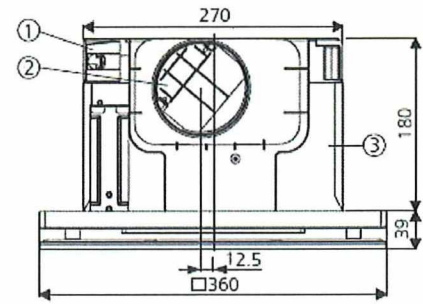
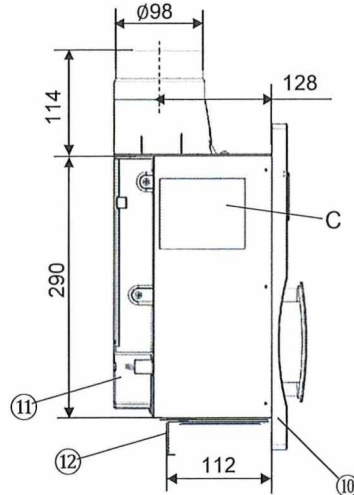
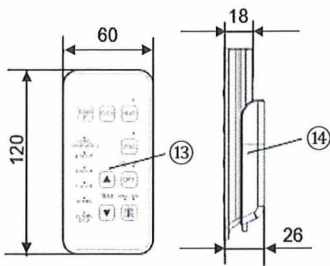
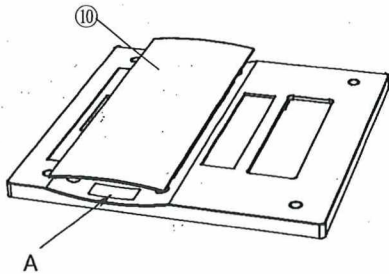
# Panasonic

Panasonic Ecology Systems Guangdong Co.,Ltd.

广东松下环境系统有限公司

## External Dimensions

➤ Mounting Dimensions : UNIT: mm



➤ Labeling Position

Mark	Item	Comment
A	Name Plate	-
B	Warn Label	DO NOT OPERATE THE PRODUCT BEFORE THE LOUVER HAS BEEN INSTALLED
C	Circuit Label	-

➤ Product installation size  
300x300mm  
(Ceiling opening size)

## Component Parts List

➤ Parts List

➤ List of Packing Accessories

No.	Parts Name	Material	QTY.	No.	Parts Name	Material	QTY.	Parts Names	QTY.
①	Cord cover	PP	1	⑧	Filter assembly	PP	1	Operation INST.	1
②	Shutter	PP	1	⑨	Mode button panel	PP	1	Dry battery	2
③	Main body	Steel Plate	1	⑩	Louver assembly	ABS	1	Suspension bracket install screw	3
④	Adapter	PP	1	⑪	PCB cover	PP	1	Install louver screw	4
⑤	Heater assembly	-	1	⑫	Suspension bracket	Steel Plate	3	Install adapter screw	1
⑥	Baffle plate	PBT	1	⑬	Remote control	PC+ABS	1	Remote control install screw	2
⑦	Fan	PP	1	⑭	Controller holder	PS	1	Install main body screw	6

## Authentication Information

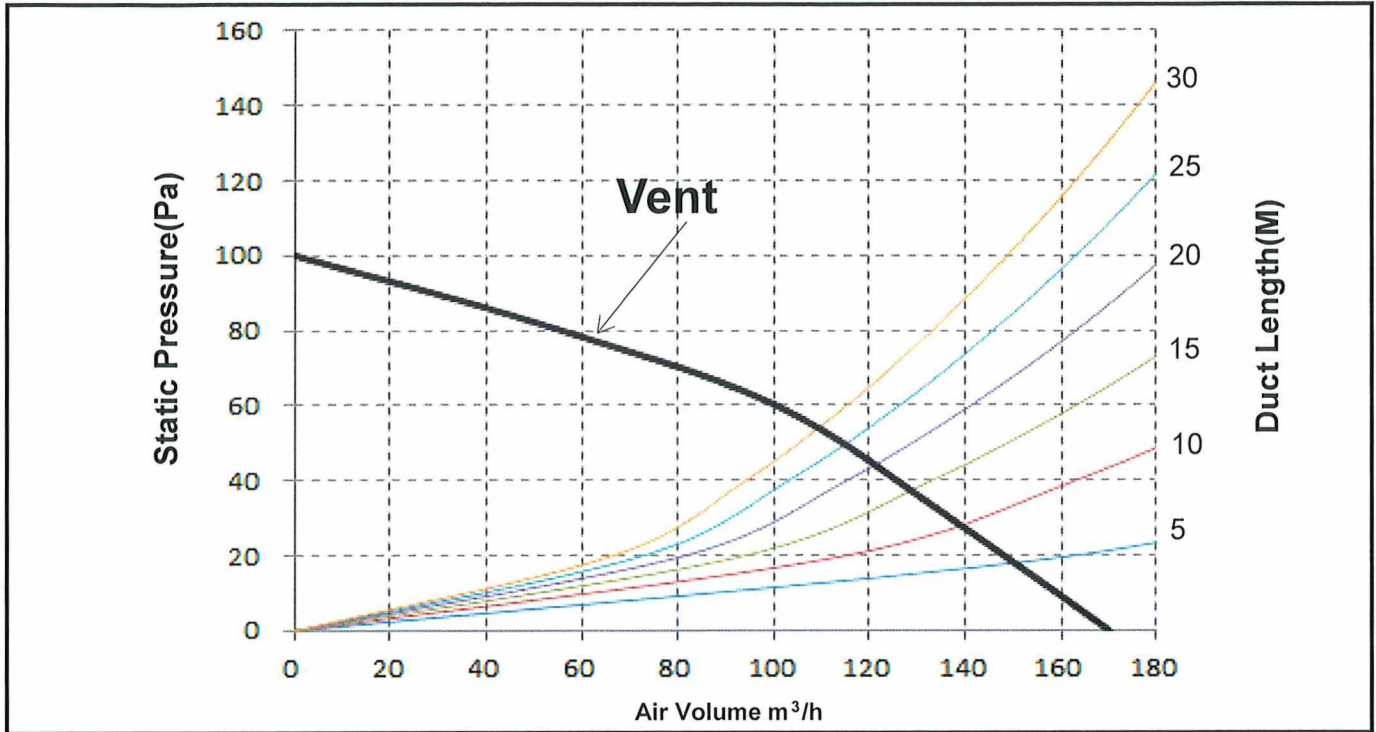
➤ Certification : --

➤ Corporate Standard Number: --

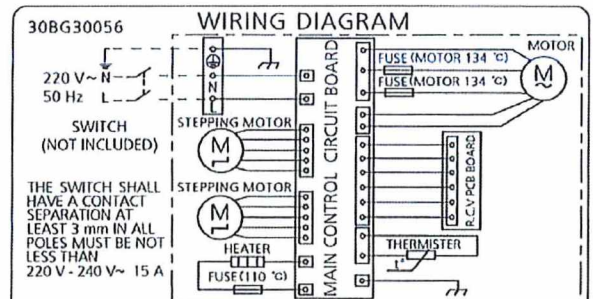
Product			Page	1/2
Thermo ventilator			Model	
			FV-30BG3	
Make Date	20200429	Scale	Drawing No.	BD20003
Modification Date	20220523	Free	Modification No.	BD20003A
Panasonic Ecology Systems Guangdong Co., Ltd.				



## ■ Specification Data



Rated voltage(V)	220		
Rated power(Hz)	50		
Rated current (A)	6.8		
Power consumption(w)	Heat	Vent	
	Ⓐ 1650 (23°C)	28	
	1500 (40°C)		
Ventilation air volume (m³/h) ±10%	170		
Maximum static pressure(Pa)	100		
Noise(dB) +3dB以下	Heat	Vent	Dry
	46	39	46
Net weight(kg)	5		
Insulation Class	Class E		
Temperature	-10°C~40°C		
Insulation resistance	>10 MΩ		
Electrical strength	AC 1500 V / 1 minute		
Anti-shock protection type	Class I (with ground)		
Waterproof level	Body : IPX2		
Motor type	Capacitor Start Electric Motor, 4 Poles		



### ⚠ WARNING

- ❗ MAKE SURE THE POWER CORD IS INSTALLED FIRMLY. OTHERWISE, A FIRE MAY BE CAUSED.
- 🚫 DO NOT REMOVE THE PCB COVER TO AVOID ELECTRIC SHOCK OR FIRE.

**POWER CORD WIRING REQUIREMENTS**

SPRING SLICE CONDUCTOR

INSULATION CONDUCTOR

EARTH

POWER CORD (UNIT: mm)

- ❗ PLEASE SELECT 60227 IEC 53 ORDINARY POLYVINYL CHLORIDE SHEATHED CORD, NOMINAL CROSS-SECTIONAL AREA OF CONDUCTORS IS 3×1.5 mm².
- ❗ DO NOT DAMAGE THE SHEATH OF THE POWER CORD.
- ❗ STRAND THE CORE WIRE TOGETHER AFTER STRIPPING, THEN INSERT THEM INTO ABOUT 8 mm DEEP POSITION OF THE TERMINAL BLOCK, ENSURING THAT THE PART IS UNDER THE SPRING SLICE, AND NO COPPER CORE CORD IS EXPOSED OUTSIDE.

- Power consumption and rated current are measured in the factory state, when the baffle plate is under 90° and the test ambient temperature is 40°C. The power consumption of Dry Cool is 32W.
- Air volume, electric specification and noise value are measured when static Pressure is 0 Pa.
- Noise value is the weighted sound pressure grade A, which is the central value measured by this company, its tolerance range is from +3 to -7. The method to measure is as follows: in an anechoic chamber, measure noise value first 1m away from the left, right and beneath of the sample, then get the averaged value.

Ⓐ Add power consumption at 23 °C. Modify the content.

Product		Page	2/2
Thermo ventilator		Model	
FV-30BG3			
Make Date	20200429	Scale	Drawing No. BD20003
Modification Date	20220523	Free	Modification No. BD20003A
Panasonic EcoQay Systems Guanadong Co., Ltd.			