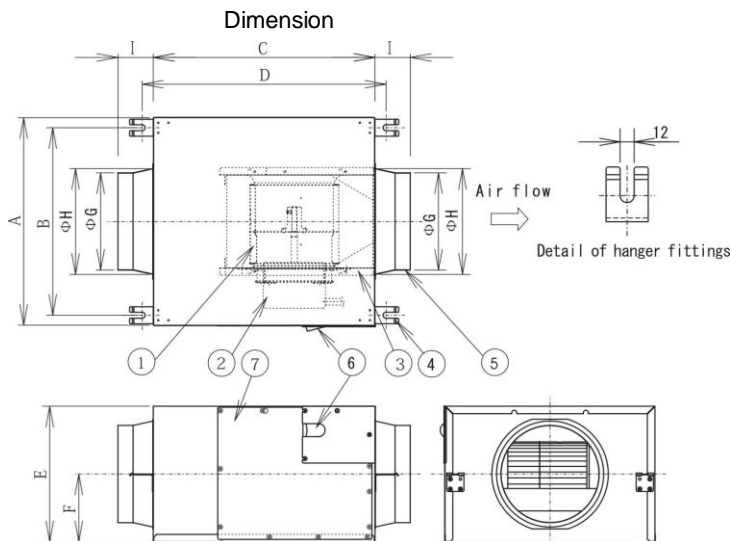


## Specification Data Sheet

Issue date: 2009.05.22  
Revise date: 2009.06.19

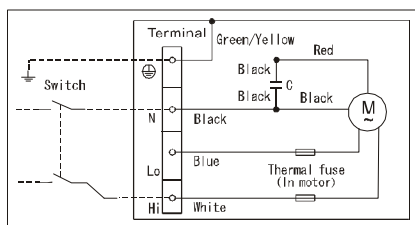
### Cabinet Fan Model No. FV-15NS3



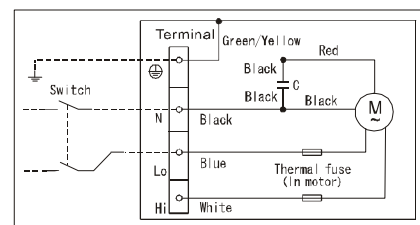
| No. | Parts name       | Q'ty | Material |
|-----|------------------|------|----------|
| 1   | Impeller         | 1    | METAL    |
| 2   | Motor            | 1    | -        |
| 3   | Fan casing       | 1    | METAL    |
| 4   | Hanger fitting   | 4    | METAL    |
| 5   | Adapter          | 2    | METAL    |
| 6   | Terminal cover   | 1    | METAL    |
| 7   | Inspection panel | 1    | METAL    |

Unit: mm

| A   | B   | C   | D   | E   | F   | G   | H   | I  | CONNECTER DUCT DIMENSION |
|-----|-----|-----|-----|-----|-----|-----|-----|----|--------------------------|
| 290 | 250 | 302 | 346 | 206 | 103 | 145 | 163 | 60 | Φ 150                    |

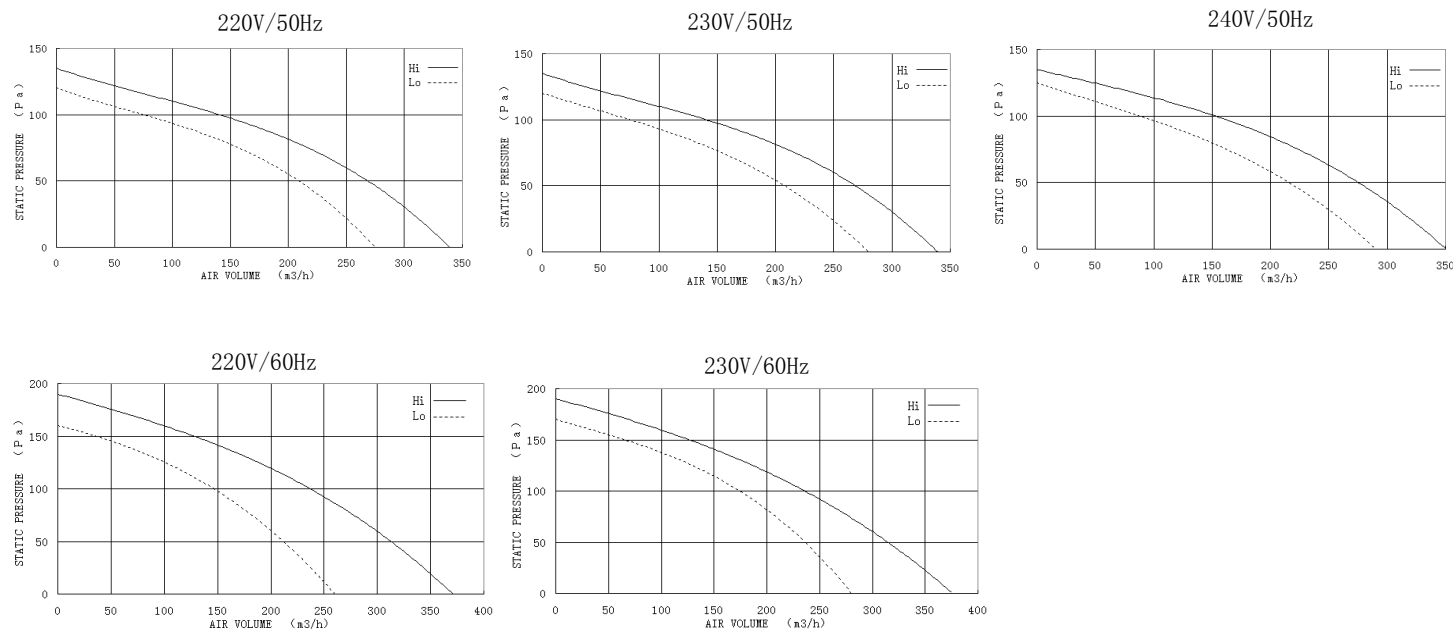


Hi Speed



Lo Speed

### Air Volume - Static Pressure Curve



### Specifications

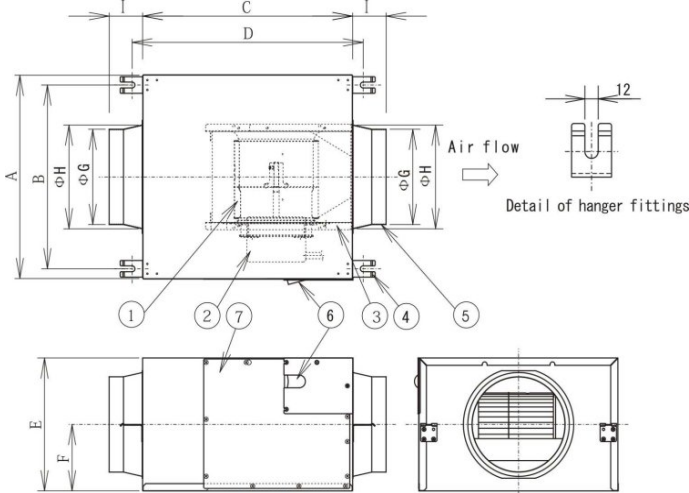
| Power Rating    | V/Hz                    | 220/50 |      | 230/50 |      | 240/50 |      | 220/60 |      | 230/60 |      |
|-----------------|-------------------------|--------|------|--------|------|--------|------|--------|------|--------|------|
|                 |                         | Hi     | Lo   | Hi     | Lo   | Hi     | Lo   | Hi     | Lo   | Hi     | Lo   |
| Air Volume      | m <sup>3</sup> /h(±10%) | 340    | 275  | 340    | 280  | 350    | 290  | 370    | 260  | 375    | 280  |
| Static pressure | Pa                      | 135    | 120  | 135    | 120  | 135    | 125  | 190    | 160  | 190    | 170  |
| Noise Level     | dB(A) +3dB,-7dB         | 25     | 22   | 25     | 22   | 26     | 24   | 27     | 22   | 28     | 23   |
| Consumption     | W(±20%)                 | 33     | 29.5 | 35     | 31   | 37     | 33   | 42     | 33   | 46     | 36   |
| Current         | A(±20%)                 | 0.16   | 0.14 | 0.16   | 0.14 | 0.16   | 0.14 | 0.19   | 0.15 | 0.2    | 0.16 |
| Net Weight      | kg                      | 6.5    |      |        |      |        |      |        |      |        |      |

## Specification Data Sheet

Issue date: 2009.05.22  
Revise date: 2009.06.19

### Cabinet Fan Model No. FV-15NS3 12

Dimension



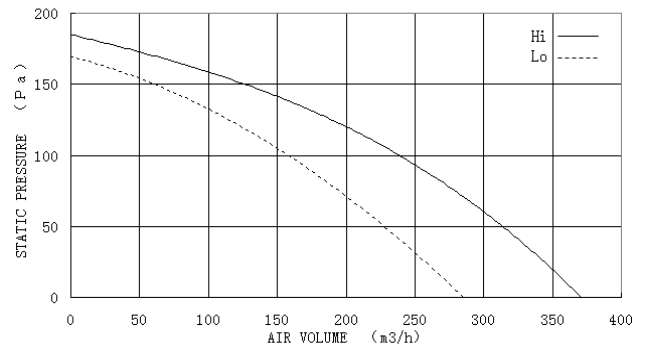
| A   | B   | C   | D   | E   | F   | G   | H   | I  | CONNECTER DUCT DIMENSION |
|-----|-----|-----|-----|-----|-----|-----|-----|----|--------------------------|
| 290 | 250 | 302 | 346 | 206 | 103 | 145 | 163 | 60 | Φ150                     |

Unit: mm

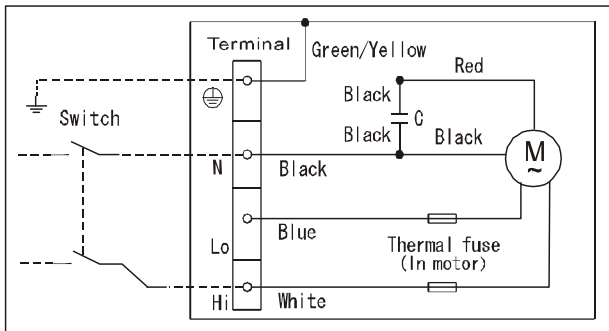
Parts list

| No. | Parts name       | Q'ty | Material |
|-----|------------------|------|----------|
| 1   | Impeller         | 1    | METAL    |
| 2   | Motor            | 1    | -        |
| 3   | Fan casing       | 1    | METAL    |
| 4   | Hanger fitting   | 4    | METAL    |
| 5   | Adapter          | 2    | METAL    |
| 6   | Terminal cover   | 1    | METAL    |
| 7   | Inspection panel | 1    | METAL    |

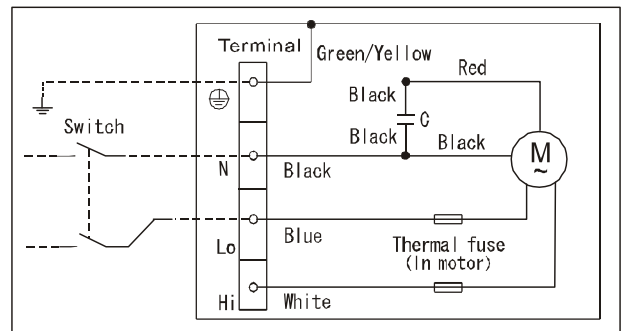
Air Volume - Static Pressure Curve



Wiring Diagram



Hi Speed



Lo Speed

Specifications

| Power Rating    | V/Hz            | 127/60 |      |
|-----------------|-----------------|--------|------|
|                 |                 | Hi     | Lo   |
| Air Volume      | m³/h(±10%)      | 370    | 285  |
| Static pressure | Pa              | 185    | 170  |
| Noise Level     | dB(A) +3dB,-7dB | 27     | 22   |
| Consumption     | W(±20%)         | 40     | 35   |
| Current         | A(±20%)         | 0.32   | 0.28 |
| Net Weight      | kg              | 6.5    |      |