

Panasonic

Ventilating Fan Shutter Series



Moisture & Smell
Exhauster



FV-10EGS2
FV-15EGS2



Air Backflow
Prevention



Energy Saving



Easy Installation

Speedy Odour Exhaustion



Foul smell can be quite noticeable after using the toilet. This unpleasant odour can stay without good ventilation. Panasonic ventilating fan can exhaust smelly air to resume a fresh comfortable room.

Excess Moisture Removal



Excess moisture in your bathroom creates conditions for molds to grow. This may deteriorate the room interior and cause potential threats to health. Panasonic ventilating fan can remove moist air to prevent these potential risks.

Shutter Series

- Low noise level
- Low energy consumption
- Back draft shutter equipped
- Air backflow prevention
- Safety / Thermal Fuse

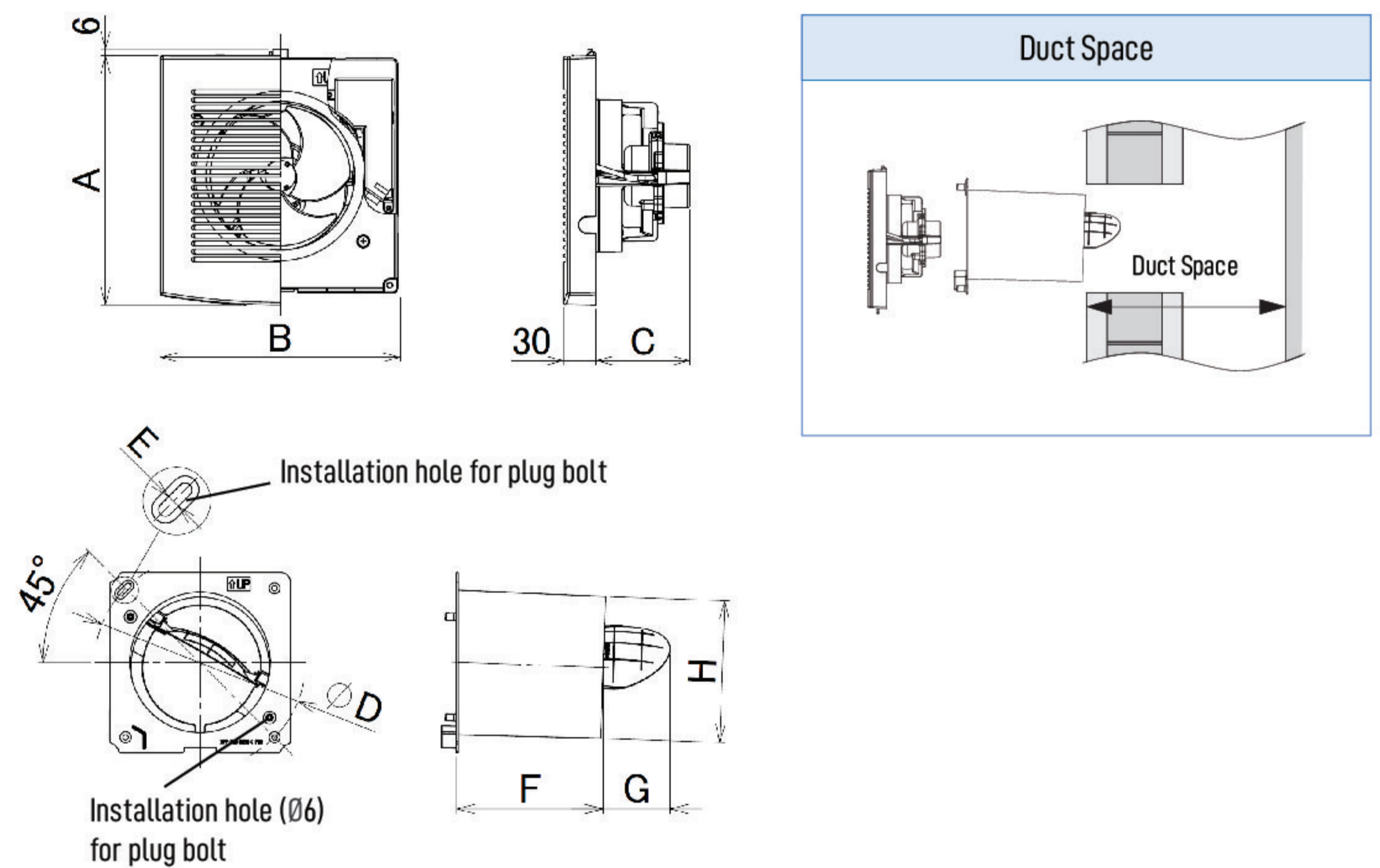


Compact & Stylish



All accessories included

Dimension (Unit : mm)



Model	A	B	C	D	E	F	G	H
FV-10EGS2	176	170	83	177	6	145	45	111
FV-15EGS2	230	220	86	231	6	155	75	155

Specification

Model	Voltage [V]	Frequency [Hz]	Air Volume [CMH]	Consumption [W]	Noise [dB(A)]	Speed [RPM]	Wall Installation		Ceiling Installation	Net Weight [kg]
							Hole Size [mm]	Duct Space [mm]	Hole Size [mm]	
FV-10EGS2	220	50	76	4.3	35.0	2,665	Ø120-125	>205	Ø130~140	0.8
	240	50	77	5.0	35.0	2,685			Ø175~185	
FV-15EGS2	220	50	155	5.7	36.0	2,130	Ø165-170	>240	Ø175~185	1.0
	240	50	165	6.5	37.0	2,240				

- Notes:
- 1.The value of power consumption, air volume and noise are specified at the static pressure of 0 Pa.
 - 2.The value of air volume is the mean value which is measured by our company.
 - 3.The value of noise level is measured at 1m apart from the left, the right and the directly below of product, then get the average of three values.
 - 4.The value of noise level is A weight average sound pressure level, the mean value is measured by our company.

Panasonic[®]

Panasonic Ecology Systems Co., Ltd.
<http://www.peshk.panasonic.hk>

- Actual colors may vary slightly from shown.
 - Specifications are subject to change without prior notice.

CATALOG NO: P-VF027

01.2024