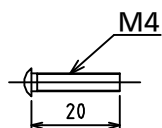
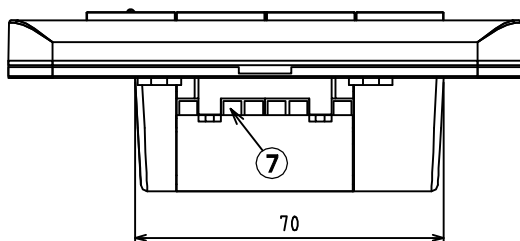
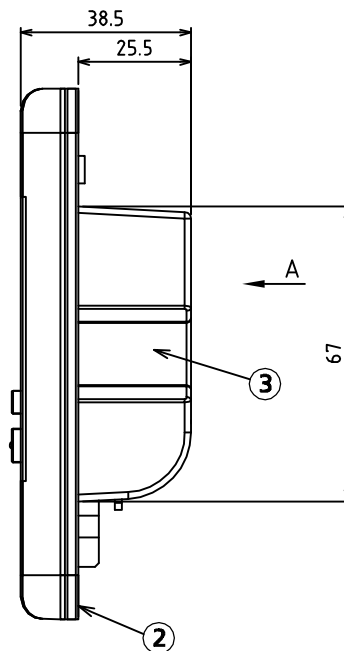
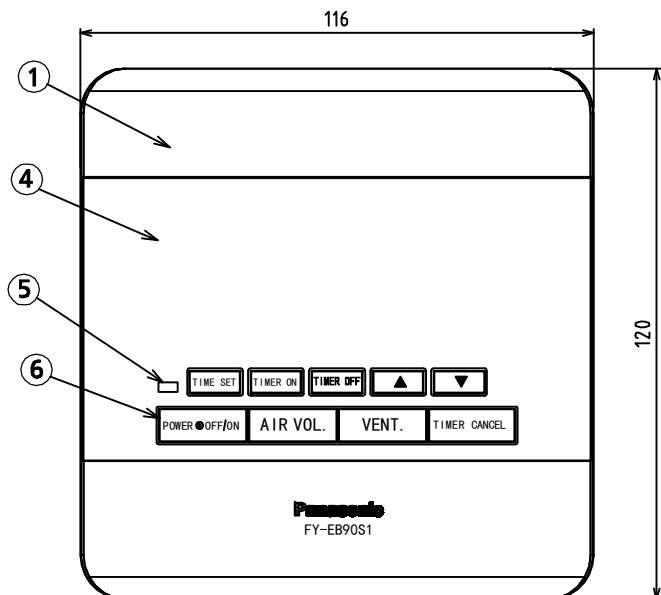
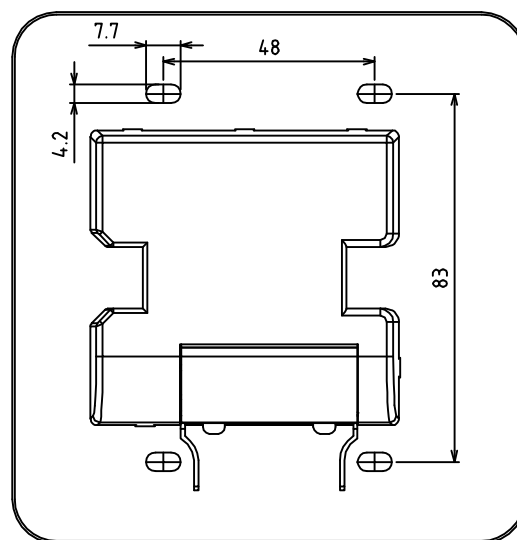


UNIT:mm



Adjunct	Spec	Q'ty
Rivet blot	M4X10	2



A detail

- 1.The outside dimension for junction box is 100 ×100.
- 2.Connect by the hard wire with diameter1.5mm² .

No.	Part name	Q'ty	Material	Remarks
①	Front panel	1	ABS757	
②	Middle panel	1	ABS757	
③	Back panel	1	PP RP340N	
④	PC wafer	1	PC	Black
⑤	Power light			
⑥	Key		Rubber	
⑦	Terminal Block			

Specification

Power supply	Rate power (W)	Weight (Kg)
220-240V~50Hz	3.4	0.3

- 1.During connecting the power with ERV,use the specified electric wire and connect refer to the label in the terminal block.
- 2.Make the mark in one end of electric wire for inspection in the routine maintenance.
- 3.When installing, be sure to avoid the stand, frame and pilar within the wall.

Name				Model No.	
Energy Recovery Ventilator				FY-EB90S1	
Date of Made	2018.12.17	Scale	Drawing Reference No.	Rev.No.	
Date of Revision		Free			
Panasonic Ecology Systems Guangdong Co.,Ltd.,Beijing Branch					

This product specification is made on 2018.12.17, and further notice will be sent if any change.