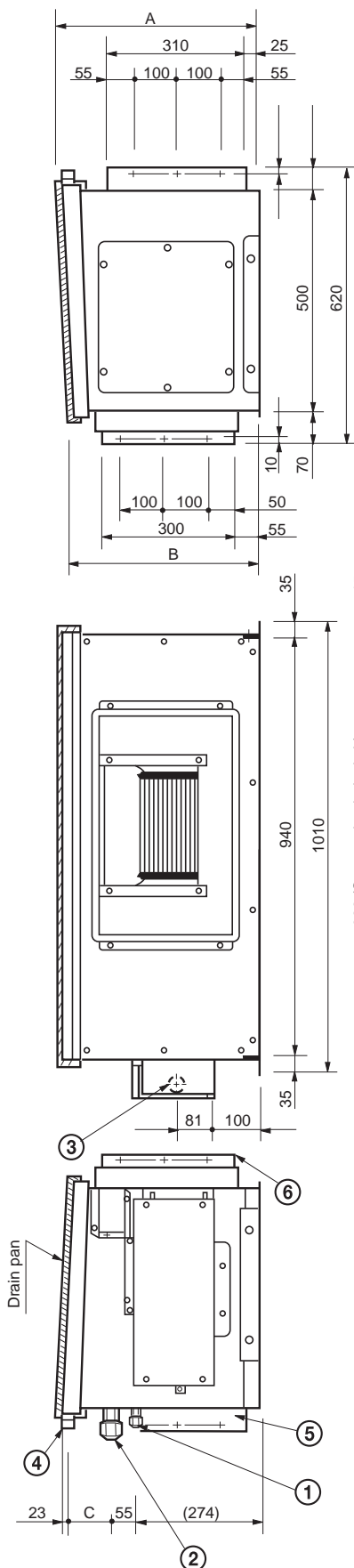


# High Static Pressure Ducted Type (E1 Type)

## Dimensional Data

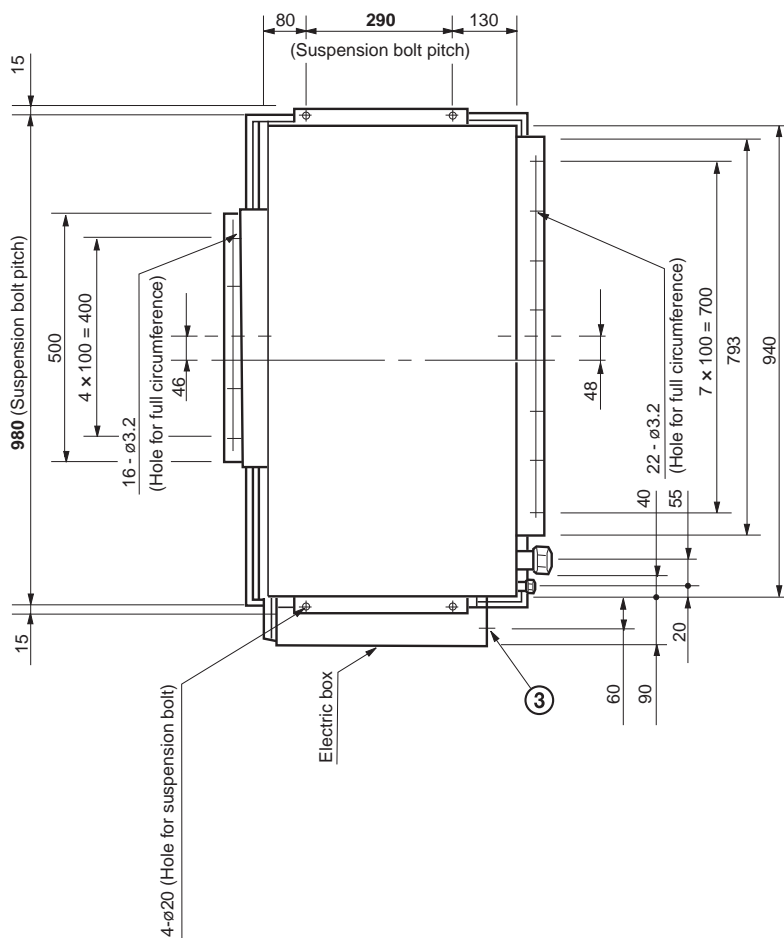
Indoor unit: S-73ME1E5 / 106ME1E5 / 140ME1E5



unit: mm

	A	B	C
S-73ME1E5 / 106ME1E5	420	395	68
S-140ME1E5	450	425	98

- ① Refrigerant liquid line (ø9.52)
- ② Refrigerant gas line (ø15.88)
- ③ Power supply entry
- ④ Drain connection (20A / VP20)
- ⑤ Duct connection for suction
- ⑥ Duct connection for discharge



# High Static Pressure Ducted Type (E1 Type)

Indoor unit: S-224ME1E5 / 280ME1E5

unit: mm

