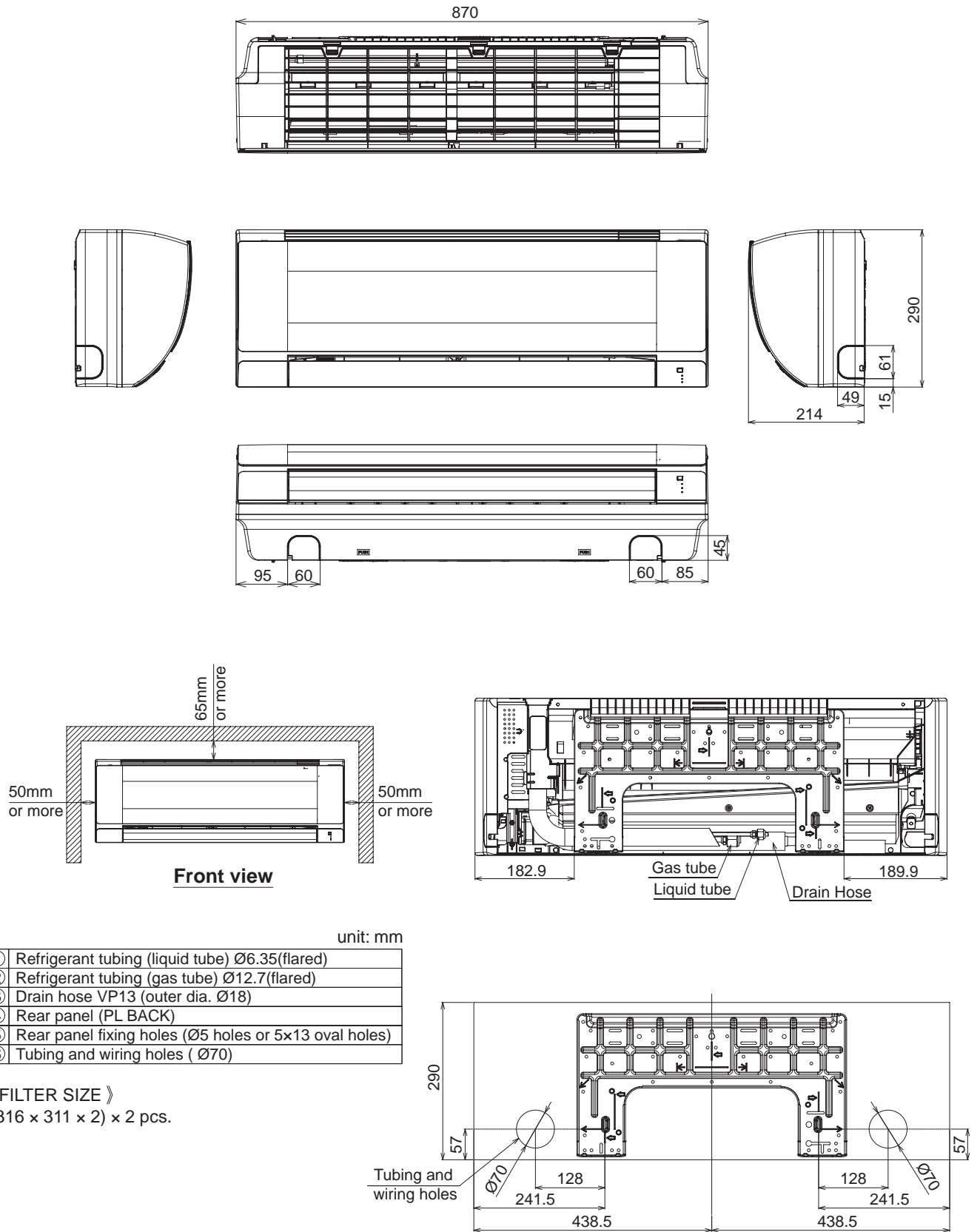


Wall Mounted Type (Type K2) Small type : S-22, 28, 36MK2E5A

Dimensional Data

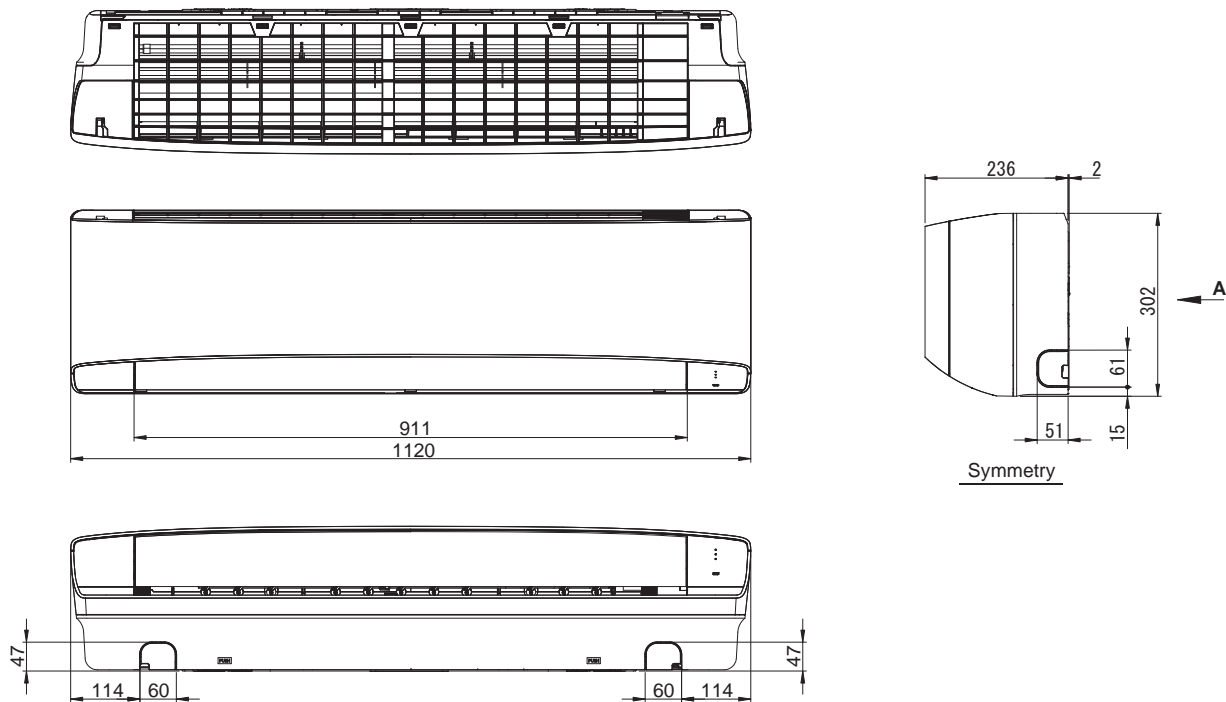
Indoor unit Small type: S-22MK2E5A / 28MK2E5A / 36MK2E5A



Wall Mounted Type (Type K2) Large type : S-45, 56, 73, 106MK2E5A

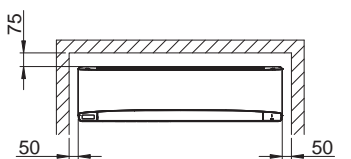
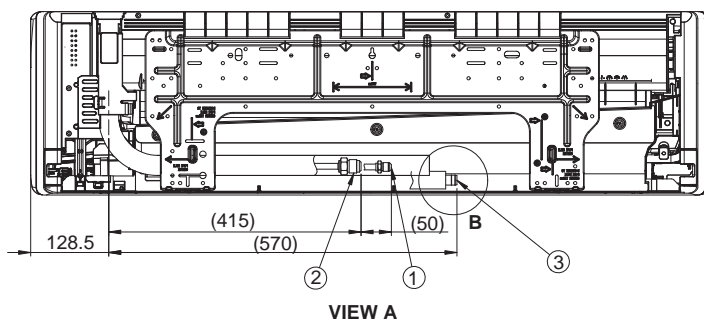
Dimensional Data

Indoor unit Large type : S-45MK2E5A / 56MK2E5A / 73MK2E5A / 106MK2E5A

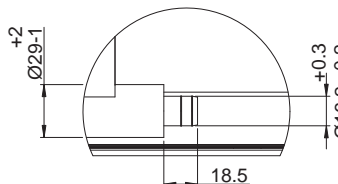


unit: mm

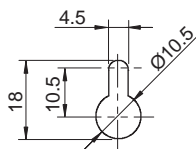
①	Refrigerant tubing (liquid tube)	Type 45-56	Ø6.35 (flared)
		Type 73-106	Ø9.52 (flared)
②	Refrigerant tubing (gas tube)	Type 45-56	Ø12.7 (flared)
		Type 73-106	Ø15.88 (flared)
③	Drain hose		
④	Rear panel		
⑤	Rear panel fixing holes (Ø5.3 holes or as shown in figure "C")		
⑥	Tubing and wiring holes (Ø80)		



Minimum space requirements for installation



Detailed view B



Detailed view C

