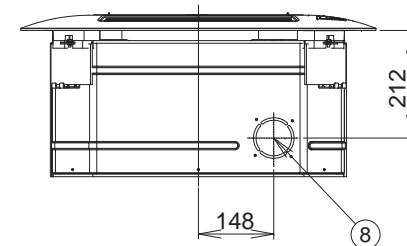
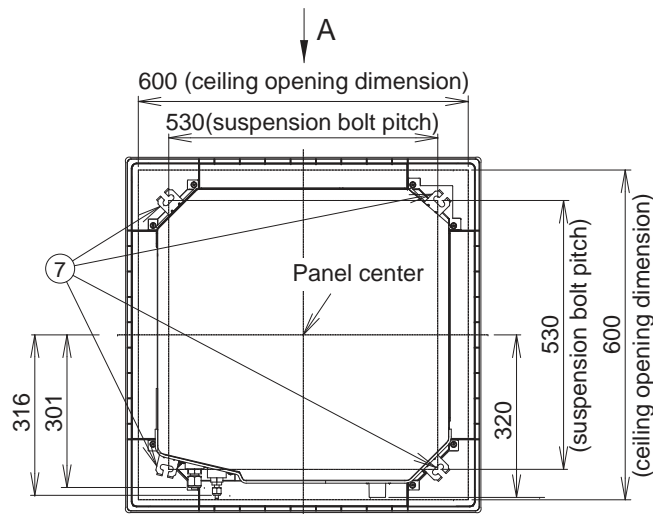
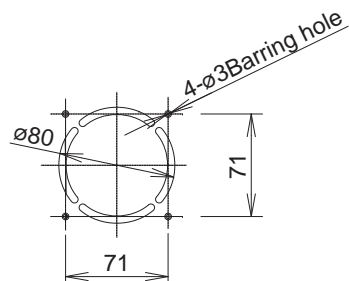
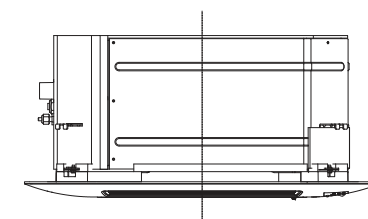
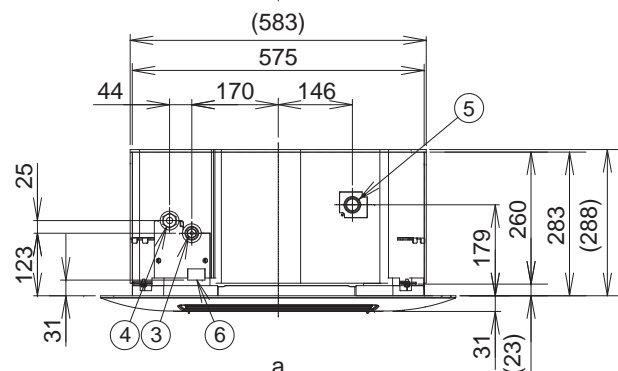
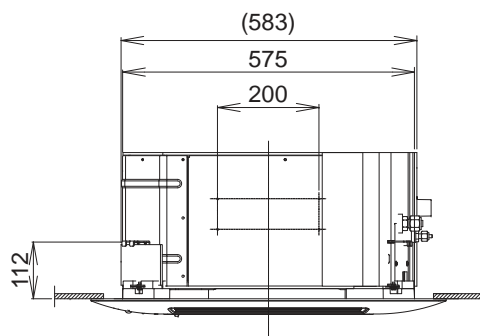


unit: mm

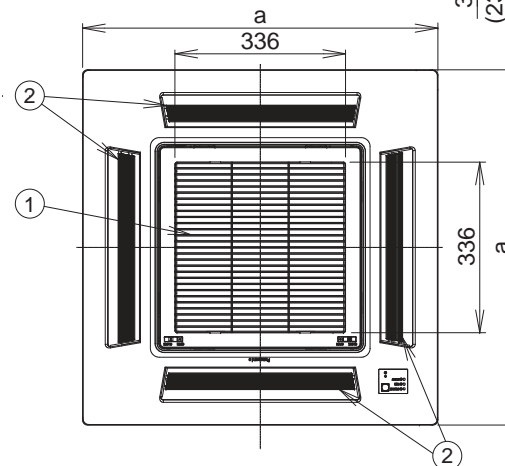
①	Air intake grill
②	Air outlet
③	Refrigerant piping (liquid pipe) $\phi 6.35$ (flared)
④	Refrigerant piping (gas pipe) $\phi 12.7$ (flared)
⑤	Drain tube connection port VP25 (outer $\phi 32$ )
⑥	Power supply entry
⑦	Suspension bolt hole (4-11 x 26 slot)
⑧	Fresh air intake duct connection port ( $\phi 80$ )



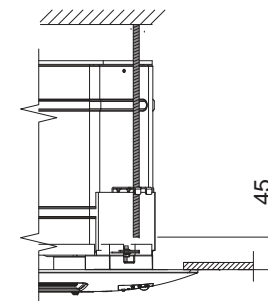
VIEW A



Dimension of Fresh air intake duct (field supply) connection port



	a
CZ-KPY3A	700
CZ-KPY3B	625



Adjust the suspension bolt length so that the gap from the lower ceiling surface becomes 45mm or more, as shown in the figure at right. If the suspension bolts is too long, it will contact the ceiling panel and the unit cannot be installed.